

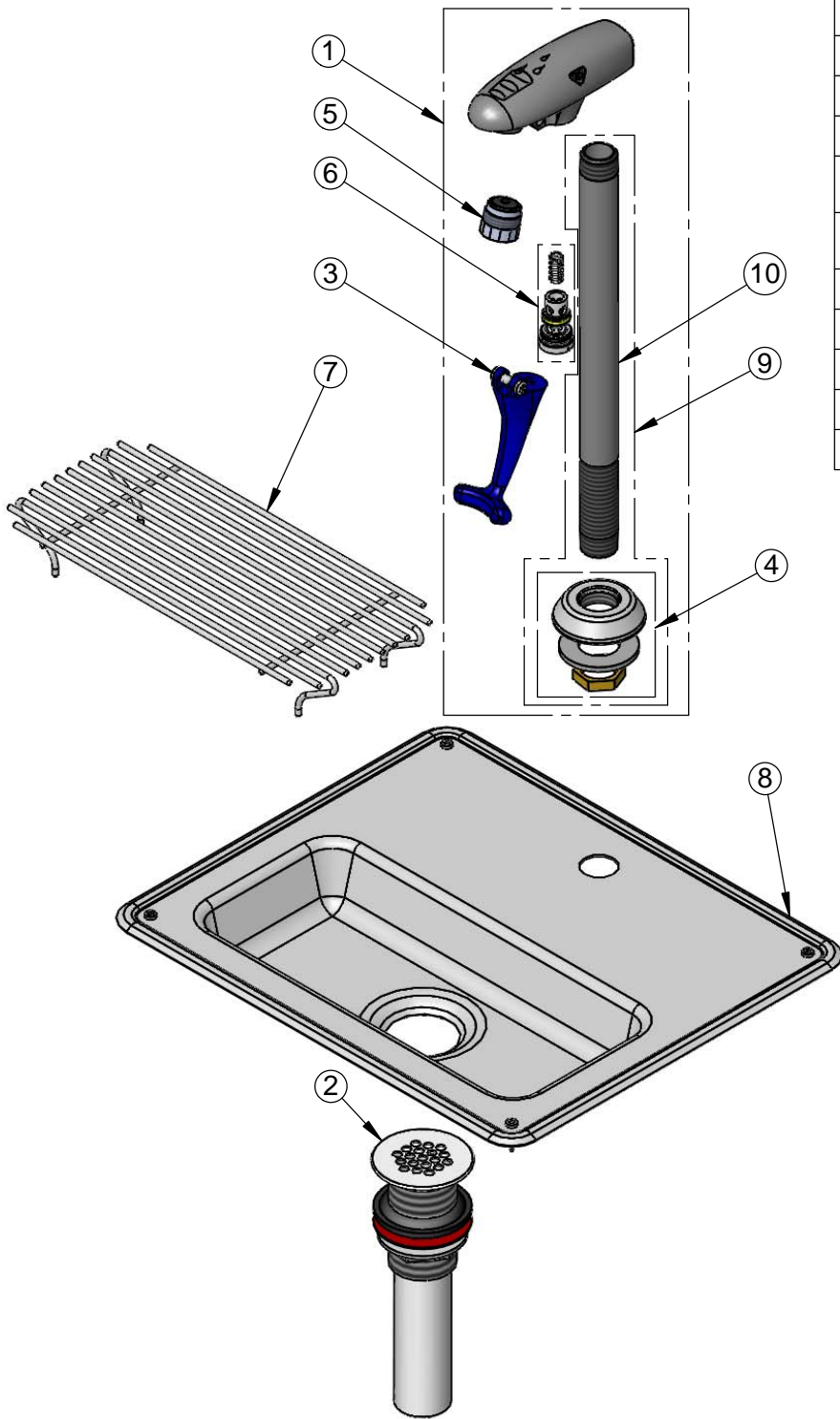


T&S BRASS AND BRONZE WORKS, INC.
 2 Saddleback Cove / P.O. Box 1088
 Travelers Rest, SC 29690

Model No.
B-1230
 Item No.

Travelers Rest, SC: 800-476-4103 • Simi Valley, CA: 800-423-0150 • Fax: 864-834-3518 • www.tsbrass.com

ITEM NO.	SALES NO.	DESCRIPTION
1	B-1210	8" Pedestal Glass Filler
2	010126-45	Drip Pan Drain
3	015550-45	Lever Arm Repair Kit
4	016783-40	Adjustable Deck Flange Repair Kit
5	015588-40	Adjustable Outlet w/ Torx Wrench
6	015589-40	Valve
7	183F	Drip Pan Grid
8	010123-45	Drip Pan
9	015887-40	Pedestal
10	015886-40	B-1210 Pedestal



Product Specifications:
 Deck Mount Water Station w/ Pedestal Type Glass Filler, 18 Gauge
 Stainless Steel Drip Pan & 1 1/4" Drain

Product Compliance:
 ASME A112.18.1 / CSA B125.1
 NSF 61 - Section 9
 NSF 372 (Low Lead Content)
 ANSI A117.1 (ADA)