

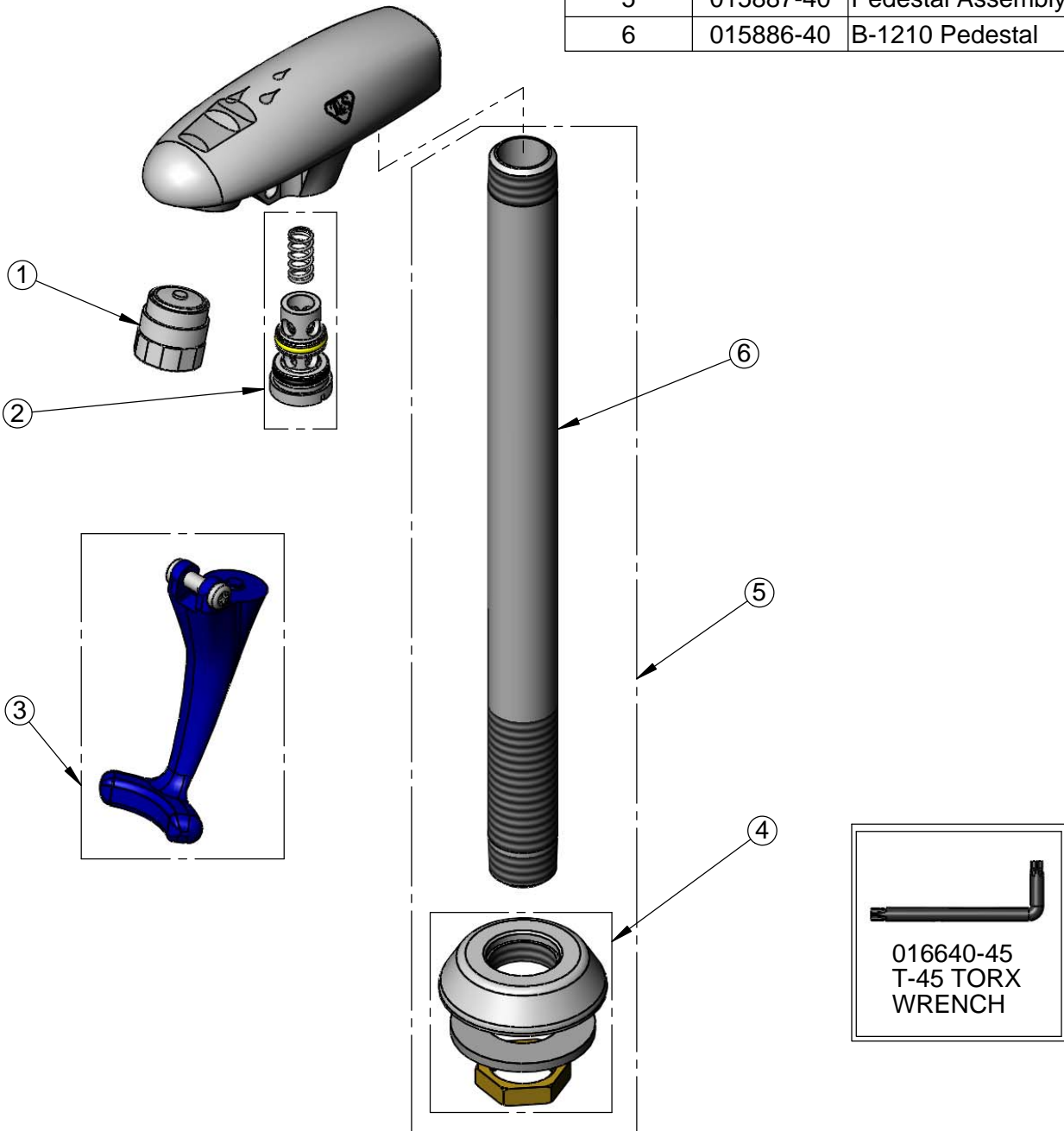
T&S BRASS AND BRONZE WORKS, INC.
 2 Saddleback Cove / P.O. Box 1088
 Travelers Rest, SC 29690

Model No.
B-1210

Item No.

Travelers Rest, SC: 800-476-4103 • Simi Valley, CA: 800-423-0150 • Fax: 864-834-3518 • www.tsbrass.com

ITEM NO.	SALES NO.	DESCRIPTION
1	015588-40	Adjustable Outlet w/ Torx Wrench
2	015589-40	Valve Assembly
3	015550-45	Lever Arm Repair Kit
4	016783-40	Adjustable Deck Flange Repair Kit
5	015887-40	Pedestal Assembly
6	015886-40	B-1210 Pedestal



Product Specifications:
 Pedestal Type Glass Filler, Push Back Design, 1/2" NPT Male Shank,
 Adjustable Flange, Dark Blue Self-Closing Arm

Drawn JRM	Checked DMH	Approved JHB
---------------------	-----------------------	------------------------

Scale: NTS	Date: 01/24/13
----------------------	--------------------------