



**T&S BRASS AND BRONZE WORKS, INC.**

2 Saddleback Cove / P.O. Box 1088  
Travelers Rest, SC 29690



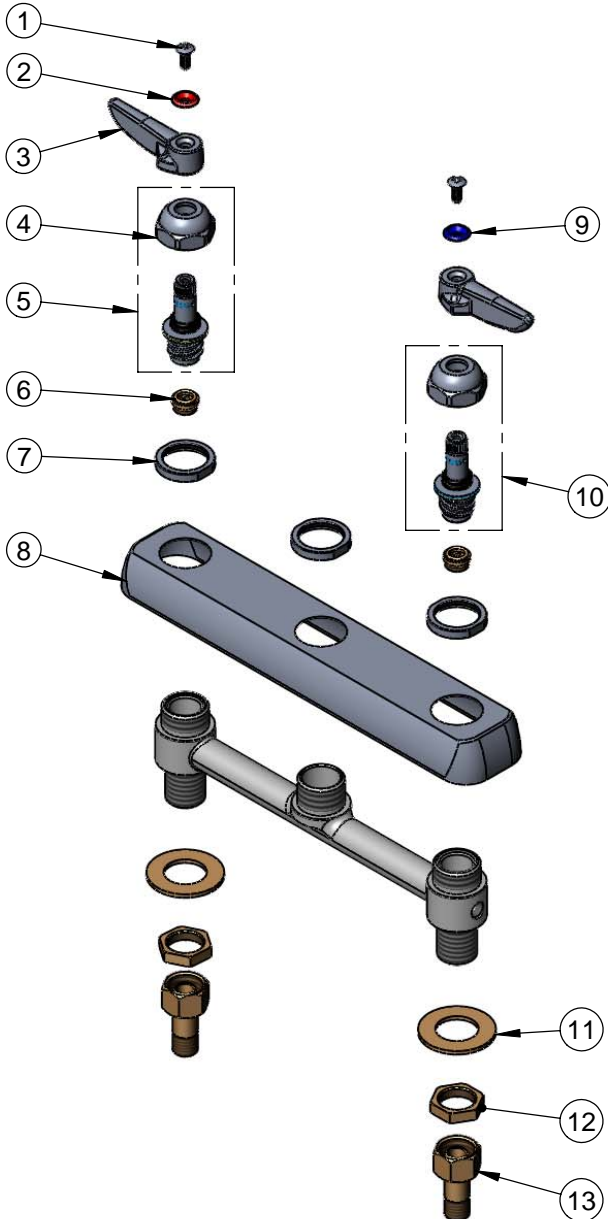
REG. #A2601  
ISO #9001

Model No.

**B-1120-LN**

Item No.

Travelers Rest, SC: 800-476-4103 Simi Valley, CA: 800-423-0150 Fax: 864-834-3518 www.tsbrass.com



ITEM NO.	SALES NO.	DESCRIPTION
1	000922-45	Lever Handle Screw
2	001661-45	Red Index-HW
3	001638-45	Lever Handle
4	009749-25	Bonnet Nut
5	009753-25	B-1100 RH Spindle Assembly
6	000763-20	Seat
7	000712-25	Escutcheon Lock Nut
8	001259-40	Escutcheon
9	001660-45	Blue Index-CW
10	009754-25	B-1100 LH Spindle Assembly
11	000999-45	Brass Lock Washer
12	002954-45	Shank Lock Nut
13	150A	Bag of (1) Nut & (1) Tailpiece

Product Specifications:

8" Inlet Centers Workboard Faucet Less Nozzle  
w/ Lever Handles & 1/2" NPT Male Shanks

Drawn <b>KJG</b>	Checked <b>DHL</b>	Approved <b>JHB</b>
Scale: <b>NTS</b>		Date: <b>09/29/08</b>