



T&S BRASS AND BRONZE WORKS, INC.

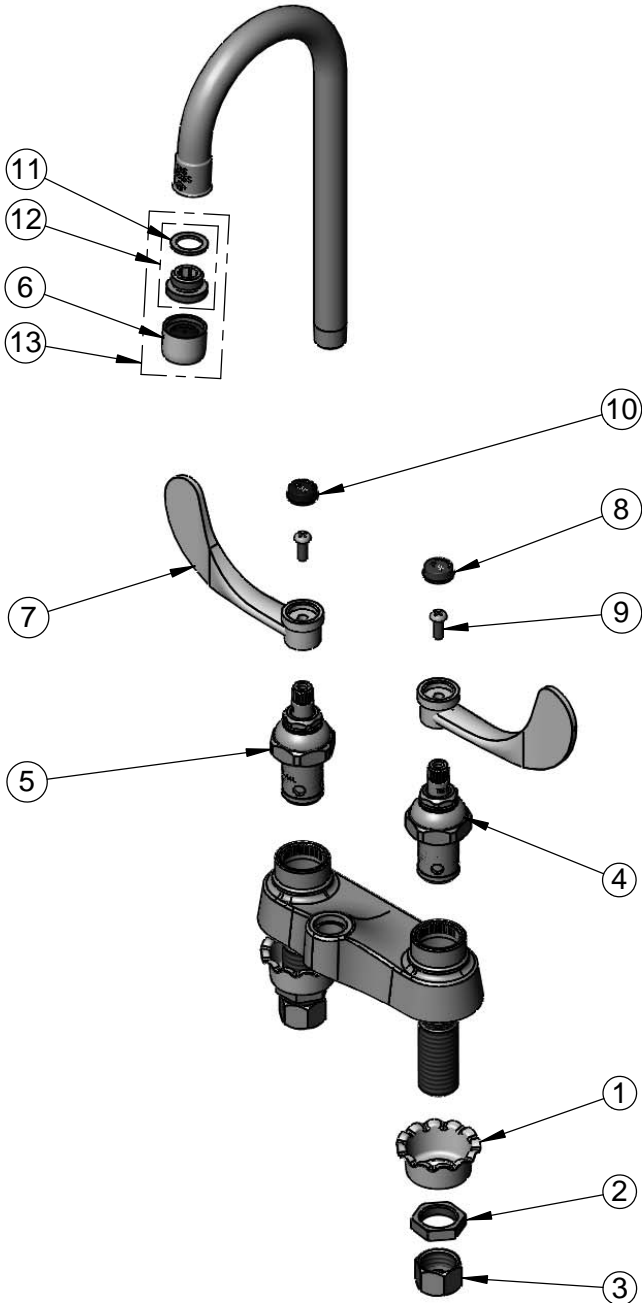
2 Saddleback Cove / P.O. Box 1088
Travelers Rest, SC 29690

Model No.

B-0892-01

Item No.

Travelers Rest, SC: 800-476-4103 • Simi Valley, CA: 800-423-0150 • Fax: 864-834-3518 • www.tsbrass.com



ITEM NO.	SALES NO.	DESCRIPTION
1	001000-45	Rosette Washer
2	002954-45	Shank Lock Nut
3	000958-20	Coupling Nut
4	006009-40	Eterna Cartridge, LTC (Teflon)
5	006010-40	Eterna Cartridge, RTC (Teflon)
6	B-0199-01	2.2 GPM Aerator, 55/64"-27 UN Female
7	B-WH4	4" Wrist Action Handle
8	001686-45	Blue Index - CW
9	000925-45	Lab Handle Screw
10	001194-45	Red Index - HW
11	001043-45	Washer
12	044A	3/8" to Aerator Adapter
13	B-0199-02	2.2 GPM Aerator, 3/8" NPSM

Product Specifications:

4" Centerset Deck Mount Mixing Faucet, Eterna Cartridges, 4" Wrist Action Handles, Rigid Gooseneck, 2.2 GPM Aerator & 1/2" NPSM Male Inlets w/ Coupling Nuts

Product Compliance:

ASME A112.18.1 / CSA B125.1
NSF 61 - Section 9
NSF 372 (Low Lead Content)
ANSI A117.1 (ADA)