



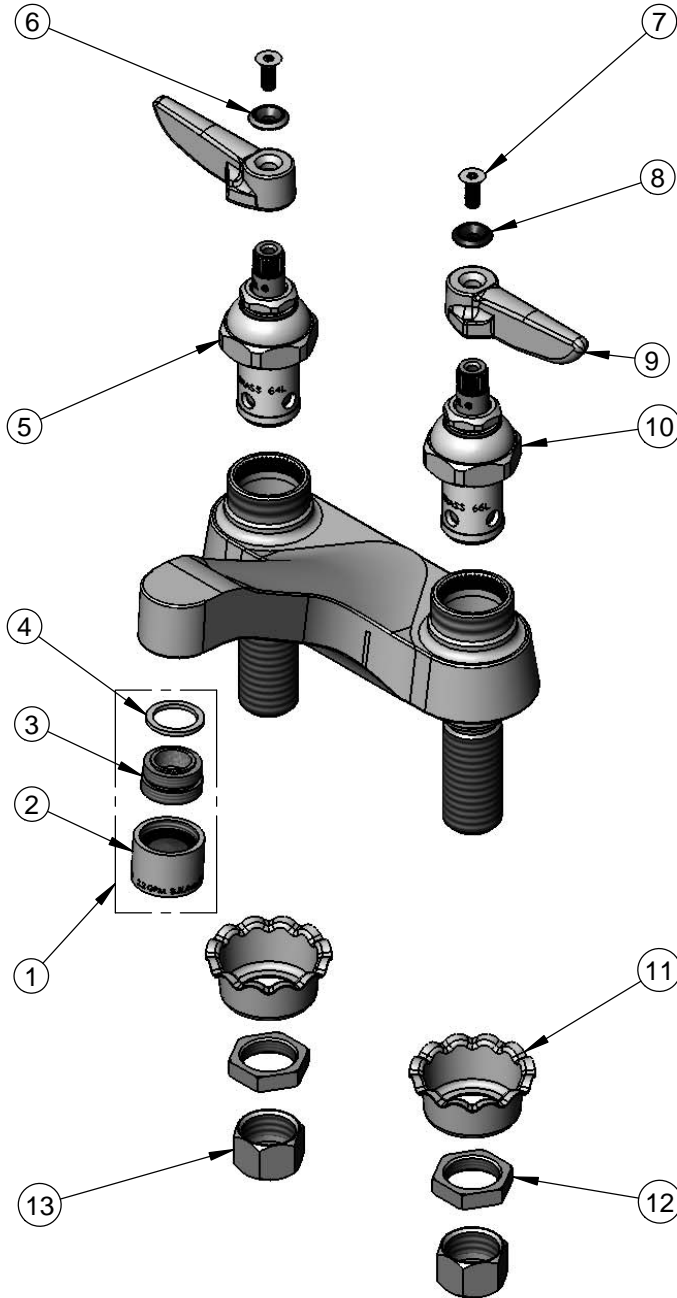
T&S BRASS AND BRONZE WORKS, INC.
 2 Saddleback Cove / P.O. Box 1088
 Travelers Rest, SC 29690

Model No.
B-0871-VRS

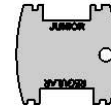
Item No.

Travelers Rest, SC: 800-476-4103 • Simi Valley, CA: 800-423-0150 • Fax: 864-834-3518 • www.tsbrass.com

ITEM NO.	SALES NO.	DESCRIPTION
1	B-0199-08	VR 2.2 GPM Aerator w/ Key & Adapter
2	B-0199-06	VR 2.2 GPM Aerator w/ Key
3	001651-47	Aerator Adapter
4	001048-45	Nozzle Tip Washer
5	005960-40	Eterna Cartridge, RTC
6	001661-45	Red Index-HW
7	010586-45	Pin-In-Socket Screw
8	001660-45	Blue Index-CW
9	001638-45	Lever Handle
10	005959-40	Eterna Cartridge, LTC
11	001000-45	Rosette Washer
12	002954-45	Shank Lock Nut
13	000958-20	Coupling Nut



010587-45
 B-VRS Pin-In Socket
 Hex Key
 (Included)



015425-45
 VR Aerator Key
 (Included)

Product Specifications:
 4" Deck Mount Cast Spout Mixing Faucet, Eterna Cartridges,
 Lever Handles w/ Vandal Resistant Screws, Vandal Resistant
 2.2 GPM Aerator & 1/2" NPSM Male Inlet Shanks

Drawn DHL	Checked DMH	Approved JHB
Scale: NTS		Date: 11/02/12