



T&S BRASS AND BRONZE WORKS, INC.

2 Saddleback Cove / P.O. Box 1088
Travelers Rest, SC 29690



REG. #A2601
ISO #9001

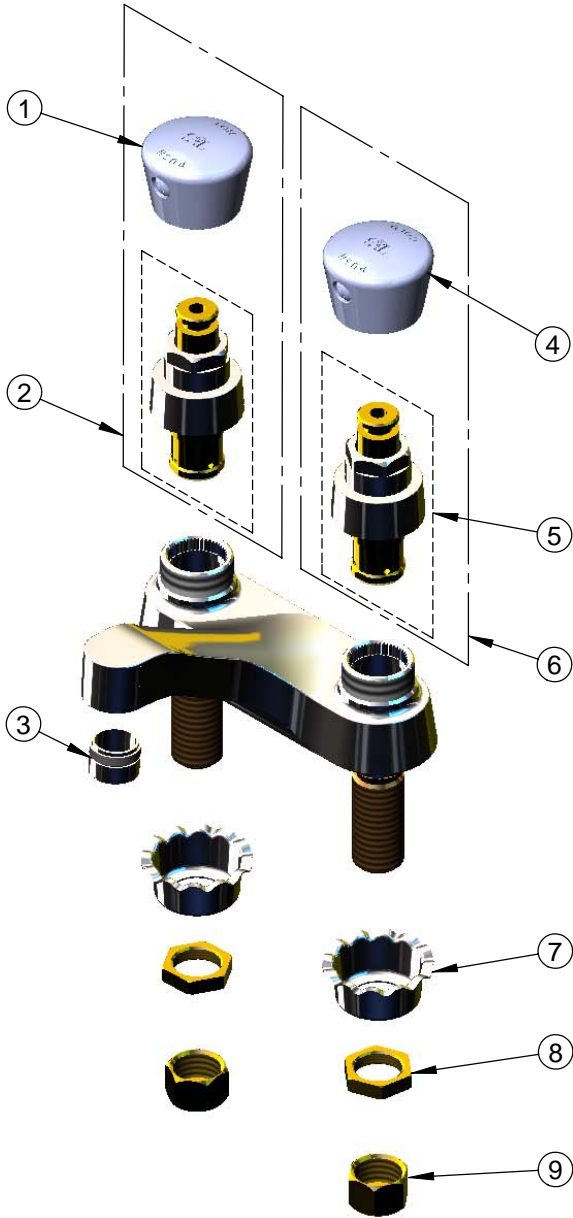
Model No.

B-0831

Item No.

Travelers Rest, SC: 800-476-4103 Simi Valley, CA: 800-423-0150 Fax: 864-834-3518 www.tsbrass.com

ITEM NO.	SALES NO.	DESCRIPTION
1	014194-40	Hot Cap Assembly
2	238AH	Push Button Metering Cartridge w/ Hot Push Button Asm and Spanner Bit
3	B-0199-03	2.2 GPM Aerator
4	014195-40	Cold Cap Assembly
5	238A	Push Button Metering Cartridge
6	238AC	Push Button Metering Cartridge w/ Cold Push Button Asm and Spanner Bit
7	001000-45	Rosette Washer
8	002954-45	Shank Lock Nut
9	000958-20	Coupling Nut



Spanner Bit for
Vandal Resistant Screw
014734-45

Product Specifications:

4" Centerset Metering & Mixing Faucet w/ Push Button Metering Cartridges & 2.2 GPM Aerator

Drawn KJG	Checked DHL	Approved JHB
Scale: NTS		Date: 06/30/08