

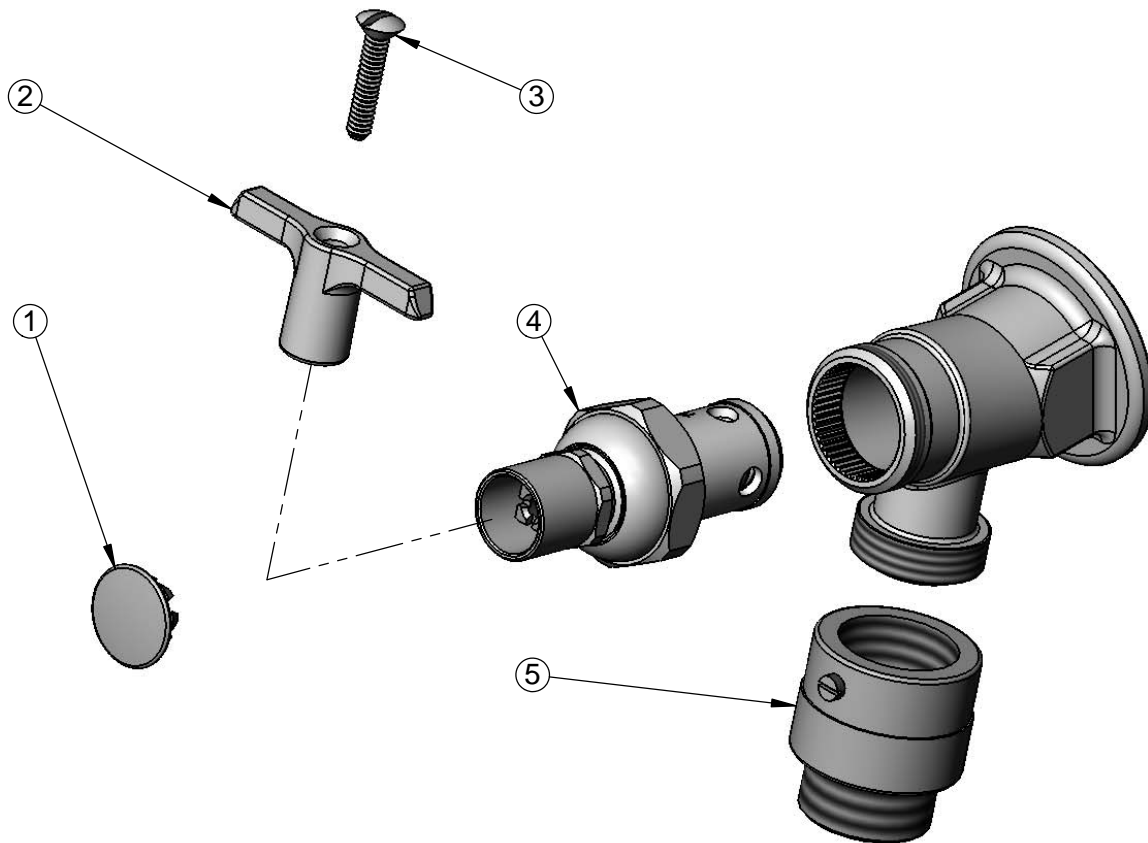
T&S BRASS AND BRONZE WORKS, INC.
 2 Saddleback Cove / P.O. Box 1088
 Travelers Rest, SC 29690

Model No.
B-0736-POL

Item No.

Travelers Rest, SC: 800-476-4103 • Simi Valley, CA: 800-423-0150 • Fax: 864-834-3518 • www.tsbrass.com

| ITEM NO. | SALES NO. | DESCRIPTION |
|----------|-----------|--|
| 1 | 001605-45 | Cap |
| 2 | 001802-45 | Supply Stop T-Handle |
| 3 | 002432-45 | Loose Key Handle Mounting Screw |
| 4 | 124A | Loose Key Spindle, RTC w/ T-Handle & Screw |
| 5 | B-0972 | 3/4" Garden Hose Thread Atmospheric, Non-Continuous Vacuum Breaker |



Product Specifications:
 Polish Chrome Sill Faucet w/ Loose Key Style Shut Off Valve,
 3/4" Garden Hose Thread on Removable Vacuum Breaker Outlet
 & 1/2" Female Inlet

| | | |
|----------------------|-----------------------|--------------------------|
| Drawn DHL | Checked DMH | Approved JHB |
| Scale: NTS | | Date: 08/29/12 |