



T&S BRASS AND BRONZE WORKS, INC.

2 Saddleback Cove / P.O. Box 1088
Travelers Rest, SC 29690

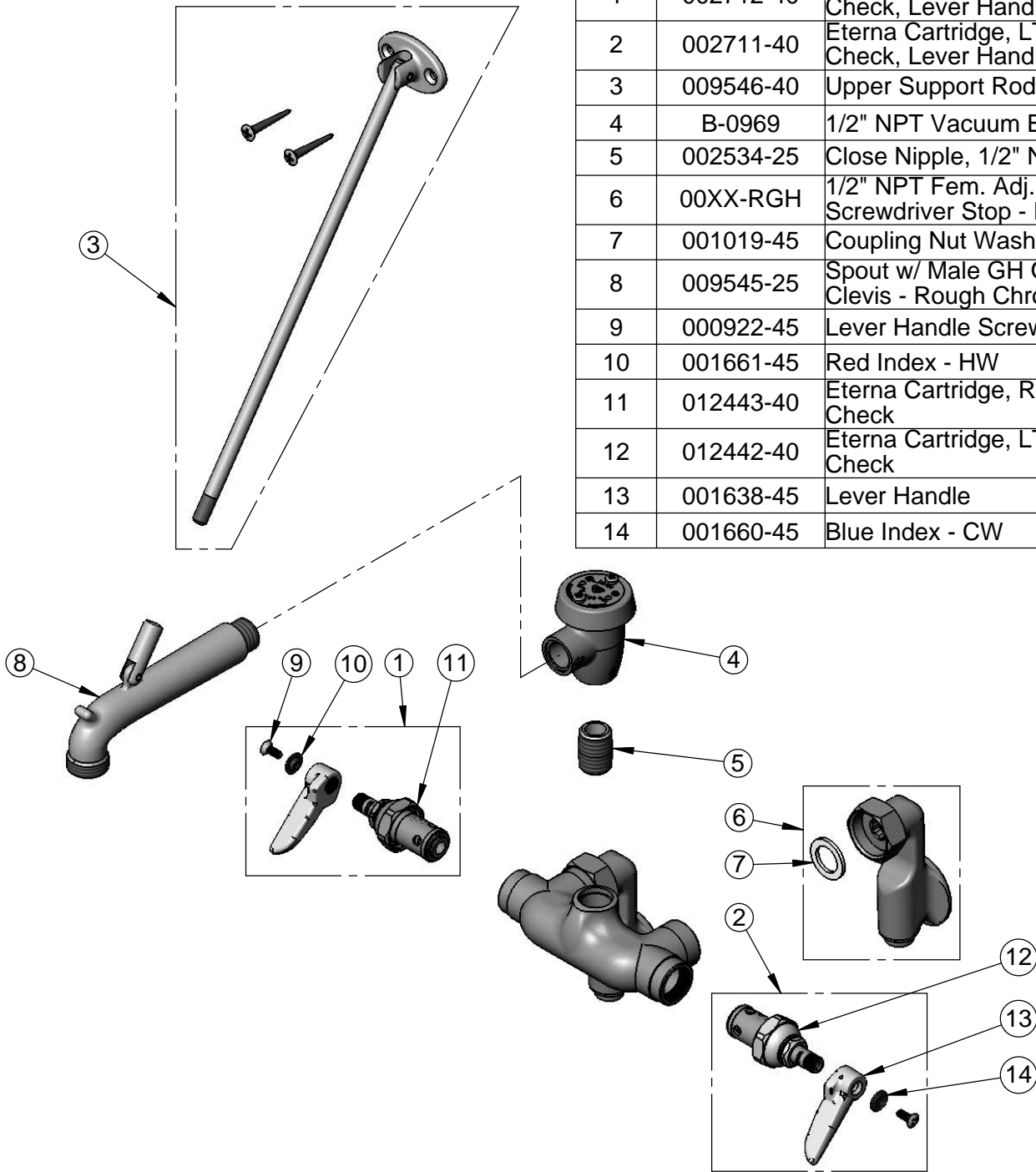
Model No.

B-0667-RGH

Item No.

Travelers Rest, SC: 800-476-4103 • Simi Valley, CA: 800-423-0150 • Fax: 864-834-3518 • www.tsbrass.com

ITEM	SALES NO.	DESCRIPTION
1	002712-40	Eterna Cartridge, RTC w/ Spring Check, Lever Handle, Index & Screw
2	002711-40	Eterna Cartridge, LTC w/ Spring Check, Lever Handle, Index & Screw
3	009546-40	Upper Support Rod Asm.
4	B-0969	1/2" NPT Vacuum Breaker
5	002534-25	Close Nipple, 1/2" NPT
6	00XX-RGH	1/2" NPT Fem. Adj. Arm Inlet w/ Screwdriver Stop - Rough Chrome
7	001019-45	Coupling Nut Washer
8	009545-25	Spout w/ Male GH Outlet & Upper Clevis - Rough Chrome
9	000922-45	Lever Handle Screw
10	001661-45	Red Index - HW
11	012443-40	Eterna Cartridge, RTC w/ Spring Check
12	012442-40	Eterna Cartridge, LTC w/ Spring Check
13	001638-45	Lever Handle
14	001660-45	Blue Index - CW



Product Specifications:

Wall Mount Service Sink, Eterna Cartridges w/ Spring Checks, Lever Handles, Upper Support Rod, Garden Hose Male Outlet, Rough Chrome Finish, 1/2" NPT Vacuum Breaker & 1/2" Female Inlet Adjustable Wall Flanges w/ Integral Service Stops

Product Compliance:

ASME A112.18.1 / CSA B125.1
NSF 61 Exempt (Non-Potable)
ANSI A117.1 (ADA)
ASSE 1001 (VB)