



# T&S BRASS AND BRONZE WORKS, INC.

2 Saddleback Cove / P.O. Box 1088  
Travelers Rest, SC 29690



REG. #A2601  
ISO #9001

Model No.  
**B-0301**

Item No.

Travelers Rest, SC: 800-476-4103 Simi Valley, CA: 800-423-0150 Fax: 864-834-3518 www.tsbrass.com

This Space for Architect/Engineer Approval

Job Name \_\_\_\_\_ Date \_\_\_\_\_

Model Specified \_\_\_\_\_ Quantity \_\_\_\_\_

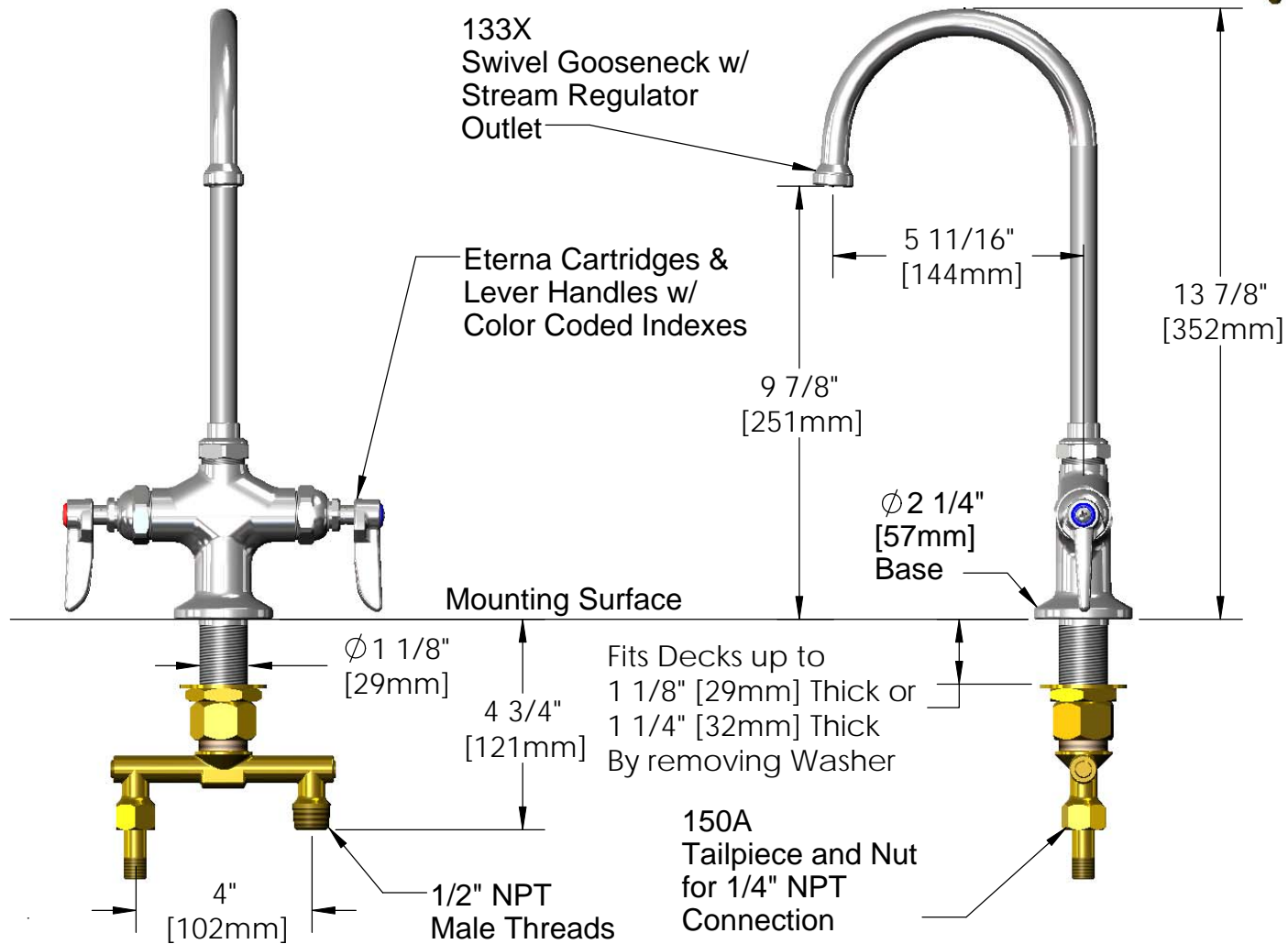
Customer/Wholesaler \_\_\_\_\_

Contractor \_\_\_\_\_

Architect/Engineer \_\_\_\_\_



ADA Compliant



**Note: Rough-In Requirements**  
Ø 1 1/2" [38mm] Hole  
(Ø 1 1/4" [32mm] Minimum)

Product Specifications:  
Single Hole Deck Mount Mixing Faucet w/ Eterna Cartridges, Lever Handles, Swivel Gooseneck, & B-PT Stream Regulator Outlet

Drawn KJG	Checked JRM	Approved JHB
Scale: 1:4		Date: 06/16/10



# T&S BRASS AND BRONZE WORKS, INC.

2 Saddleback Cove / P.O. Box 1088  
Travelers Rest, SC 29690

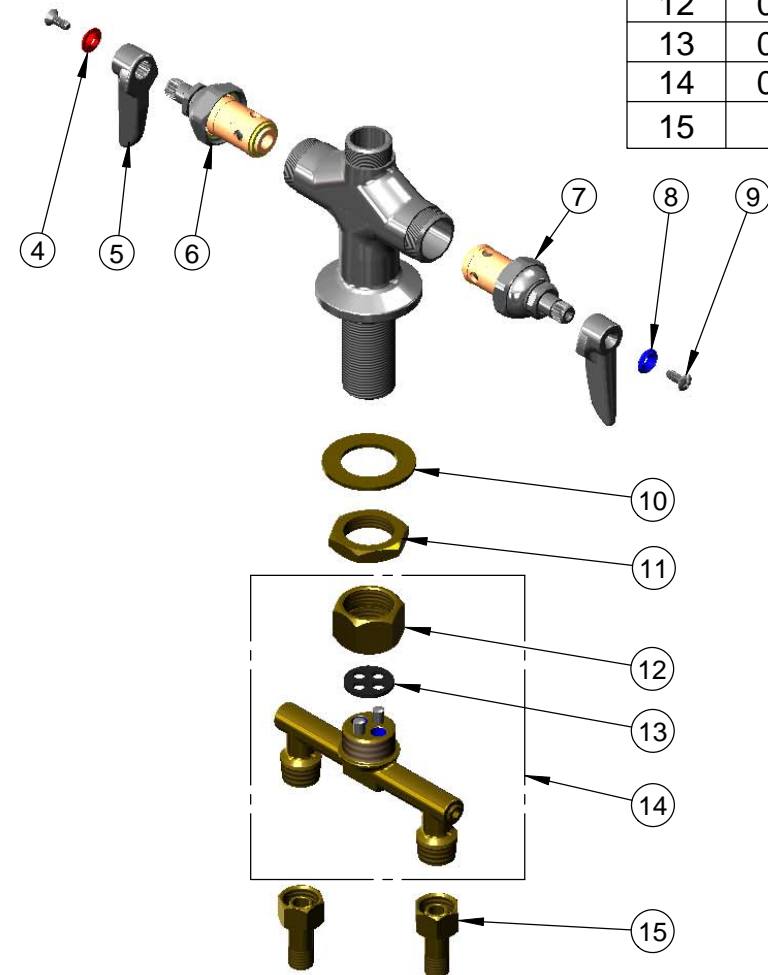
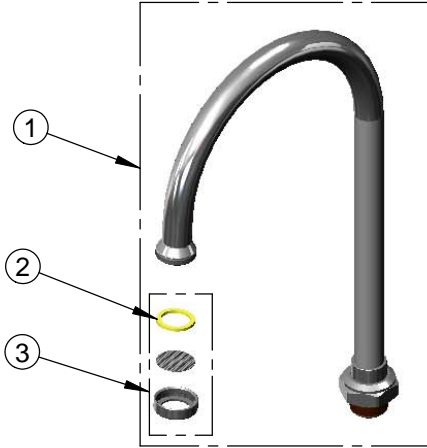


REG. #A2601  
ISO #9001

Model No.  
**B-0301**

Item No.

Travelers Rest, SC: 800-476-4103 Simi Valley, CA: 800-423-0150 Fax: 864-834-3518 www.tsbrass.com



ITEM NO.	SALES NO.	DESCRIPTION
1	133X	Swivel Gooseneck
2	001048-45	Nozzle Tip Washer
3	B-PT	Stream Regulator Outlet
4	001661-45	Red Index-HW
5	001638-45	Lever Handle
6	005960-40	Spindle Asm, Eterna "Hot"
7	005959-40	Spindle Asm. Eterna "Cold"
8	001660-45	Blue Index-CW
9	000922-45	Lever Handle Screw
10	002290-45	Lock Washer
11	000965-45	Lock Nut
12	000736-20	Spreader Coupler Nut
13	001041-45	Spreader Washer
14	002898-40	Spreader Assembly
15	150A	Bag of (1) Nut & (1) Tailpiece

**Product Specifications:**

Single Hole Deck Mount Mixing Faucet w/ Eterna Cartridges, Lever Handles, Swivel Gooseneck, & B-PT Stream Regulator Outlet

Drawn <b>KJG</b>	Checked <b>JRM</b>	Approved <b>JHB</b>
Scale: <b>1:4</b>		Date: <b>06/16/10</b>