



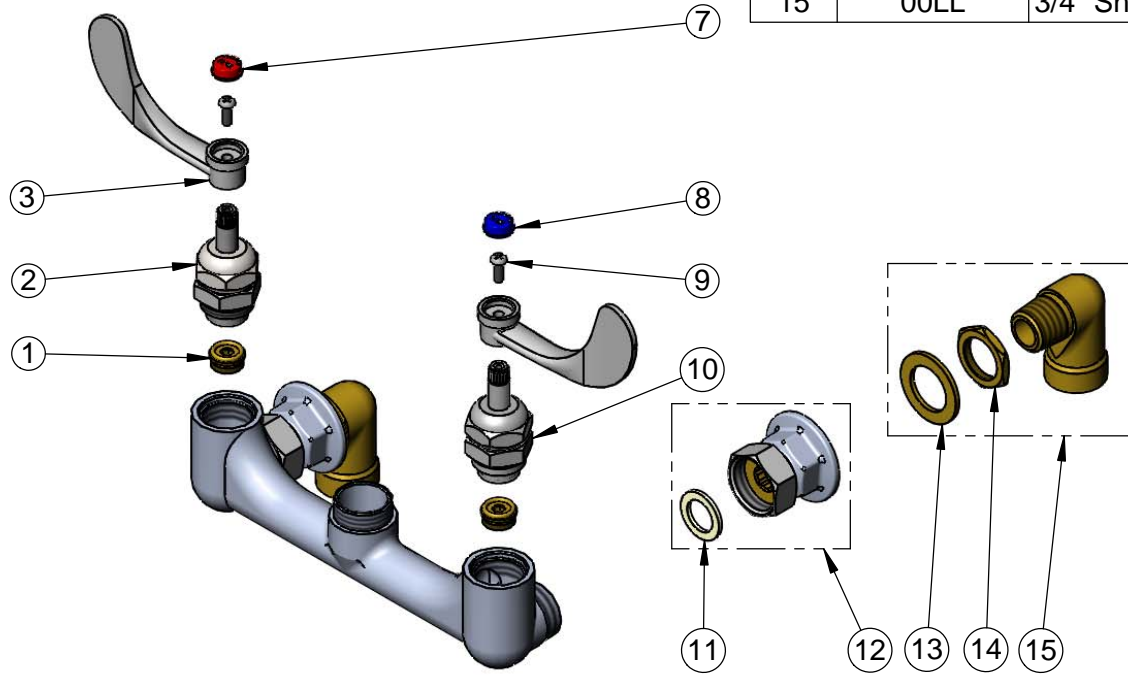
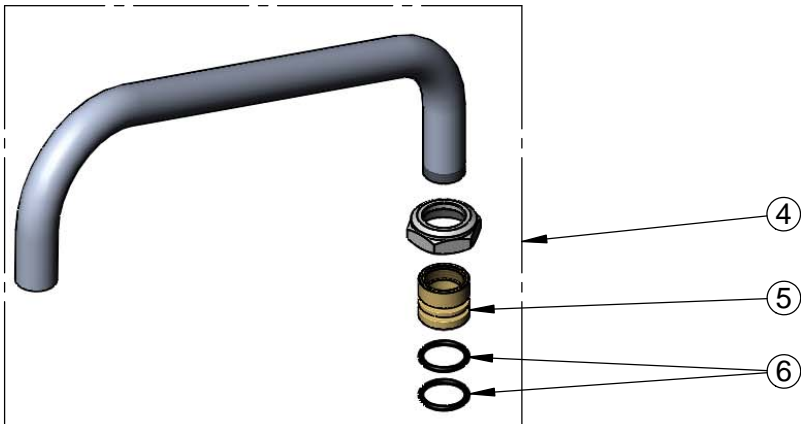
T&S BRASS AND BRONZE WORKS, INC.
 2 Saddleback Cove / P.O. Box 1088
 Travelers Rest, SC 29690

Model No.
B-0290-04

Item No.

Travelers Rest, SC: 800-476-4103 • Simi Valley, CA: 800-423-0150 • Fax: 864-834-3518 • www.tsbrass.com

ITEM NO.	SALES NO.	DESCRIPTION
1	000764-20	Seat, Big-Flo
2	006482-40	Big-Flo Cartridge, RTC
3	B-WH4	4" Wrist Action Handle
4	114X	12" Big-Flo Swing Nozzle
5	000847-20	Big-Flo Swivel Piece
6	001068-45	O-ring
7	001194-45	Red HW Index
8	001686-45	Blue CW Index
9	000925-45	Lab Handle Screw
10	006481-40	Big-Flo Cartridge, LTC
11	001019-45	Coupling Nut Washer
12	00BB	3/4" NPT Female Eccentric Flange
13	001005-45	Washer
14	000971-45	Lock Nut, 3/4-14 NPSM
15	00LL	3/4" Short Elbow Inlet



Product Specifications:
 8" Wall Mount Big-Flo Mixing Faucet, Big-Flo Cartridges, 4" Wrist Action Handles, 12" Big-Flo Swing Nozzle & 3/4" NPT Female Inlets

Product Compliance:
 ASME A112.18.1 / CSA B125.1
 NSF 61 - Section 9
 NSF 372 (Low Lead Content)
 ANSI A117.1 (ADA)