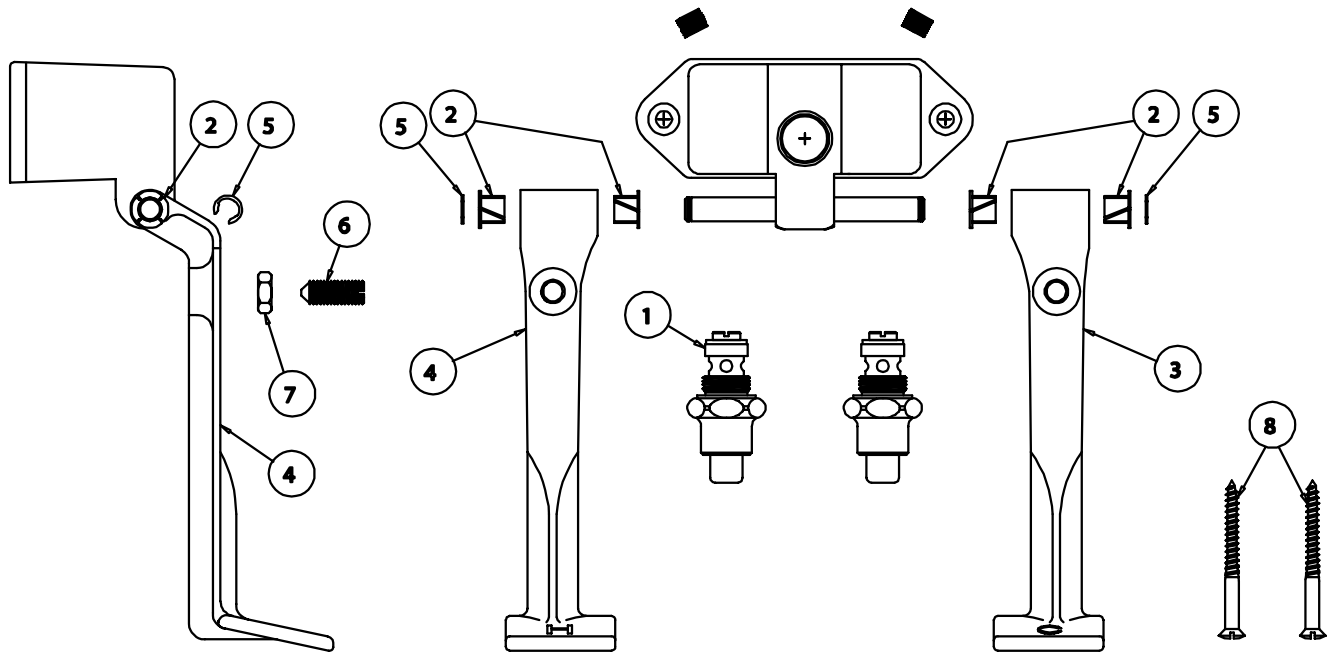


B-0505



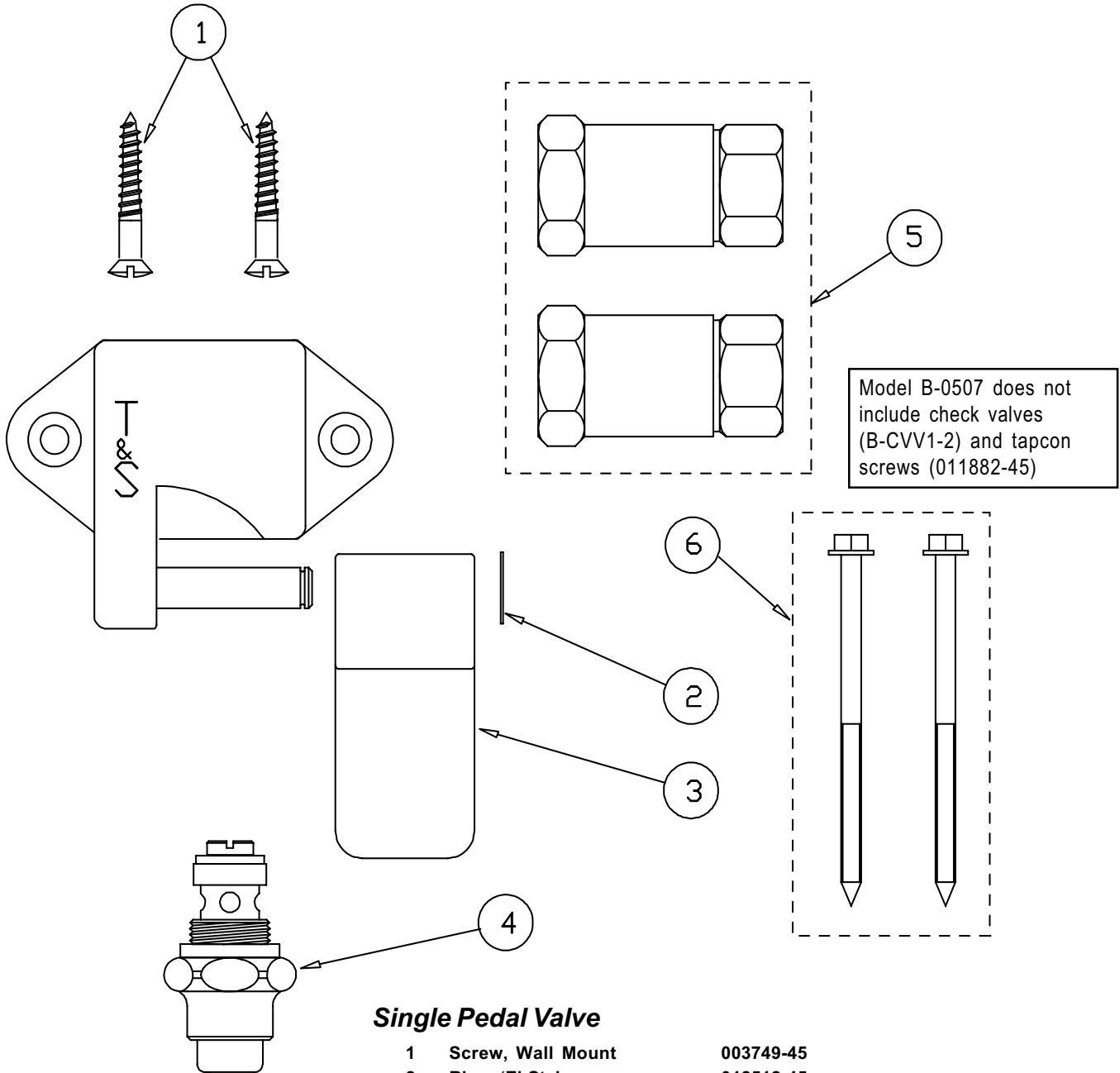
Double Pedal Valve

| | | |
|---|---------------------|-----------|
| 1 | Asm, Bonnet | 005312-40 |
| 2 | Pedal, Bushing | 001602-45 |
| 3 | Pedal, Cold | 000241-20 |
| 4 | Pedal, Hot | 000242-20 |
| 5 | Ring, 'E'-Style | 012512-45 |
| 6 | Set Screw, Nylon | 001123-45 |
| 7 | Locknut, Adjustable | 000952-45 |
| 8 | Screw, Wall Mount | 003749-45 |





B-0507, B-0507-02

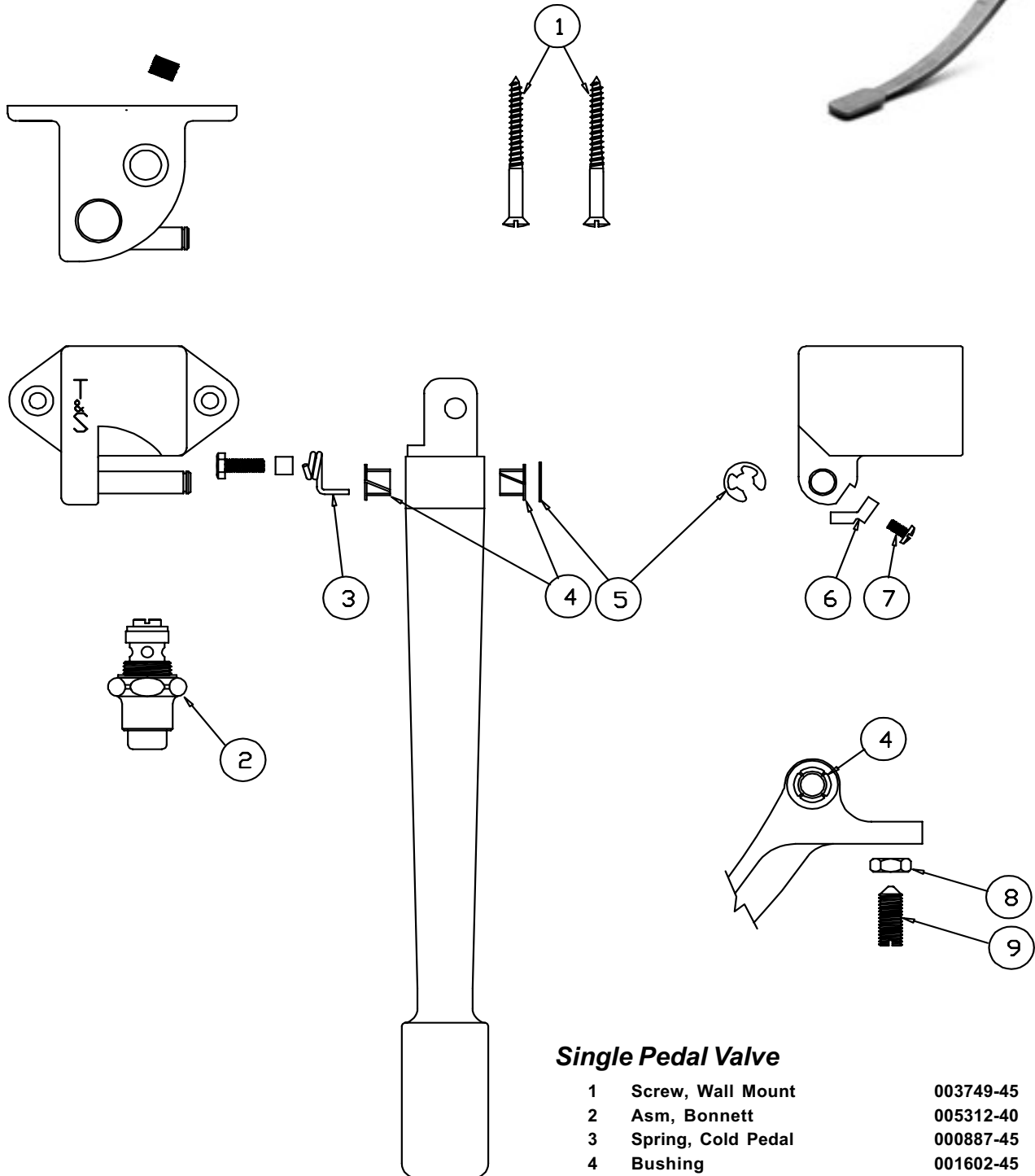


Single Pedal Valve

- | | | |
|---|---------------------------|-----------|
| 1 | Screw, Wall Mount | 003749-45 |
| 2 | Ring, 'E'-Style | 012512-45 |
| 3 | Pedal, Foot (Blank) | 000090-25 |
| 4 | Asm, Bonnet | 005312-40 |
| 5 | Valve, Check (B-0507-02) | B-CVV1-1 |
| 6 | Screw, Tapcon (B-0507-02) | 011882-45 |



B-0508



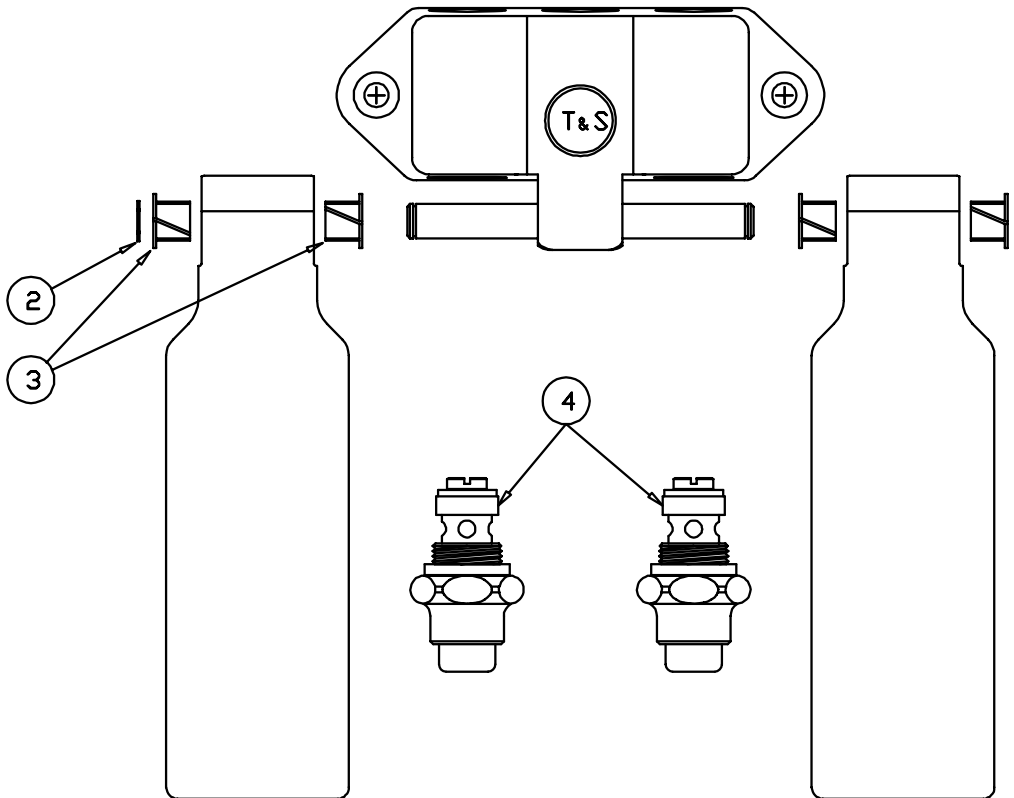
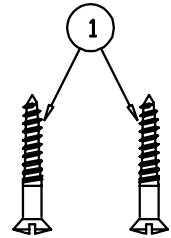
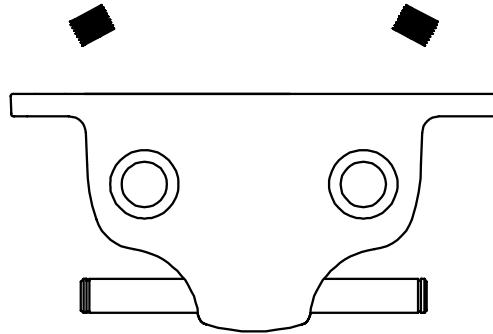
Single Pedal Valve

| | | |
|---|---------------------|-----------|
| 1 | Screw, Wall Mount | 003749-45 |
| 2 | Asm, Bonnett | 005312-40 |
| 3 | Spring, Cold Pedal | 000887-45 |
| 4 | Bushing | 001602-45 |
| 5 | Ring, 'E'-Style | 012512-45 |
| 6 | Pad, Single Pedal | 012515-20 |
| 7 | Screw, Nylon | 000917-45 |
| 8 | Locknut, Adjustable | 000952-45 |
| 9 | Set Screw, Nylon | 001123-45 |





B-0509

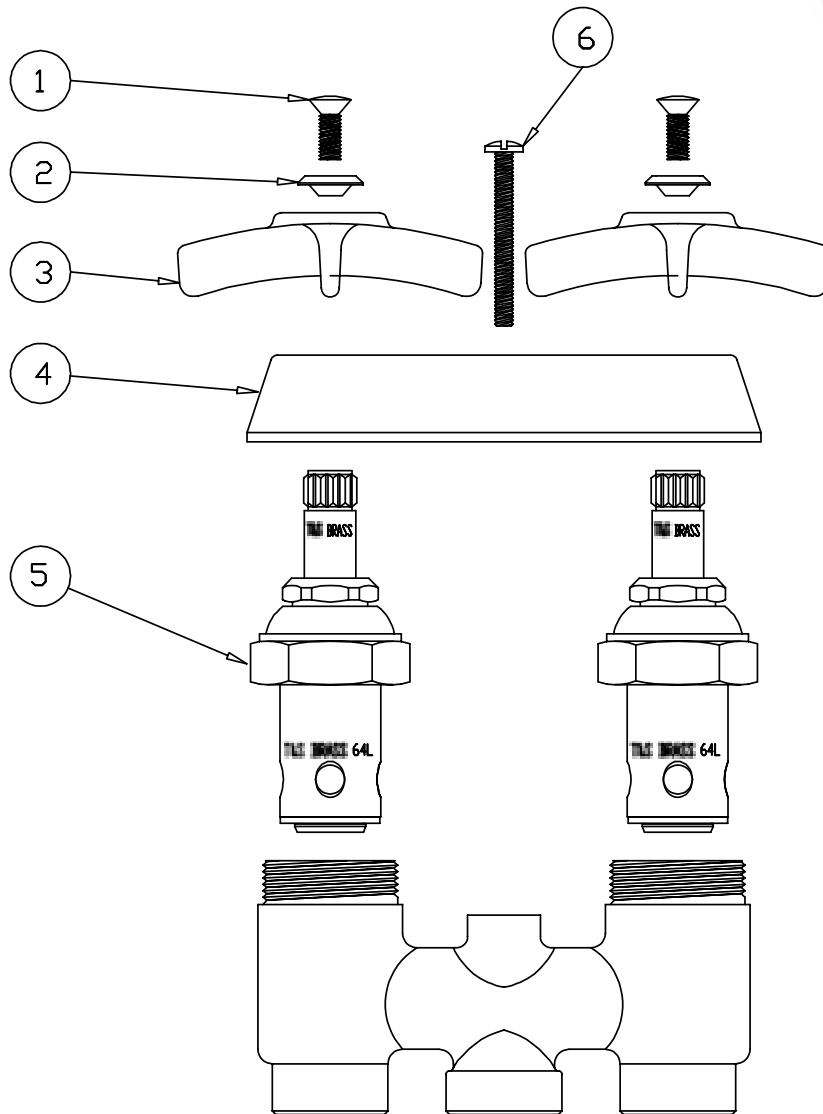


Knee Action Pedal Assembly

| | | |
|---|-------------------|-----------|
| 1 | Screw, Wall Mount | 000915-45 |
| 2 | Ring, 'E'-Style | 012512-45 |
| 3 | Bushing, Pedal | 001602-45 |
| 4 | Asm, Bonnet | 005312-40 |



B-0512

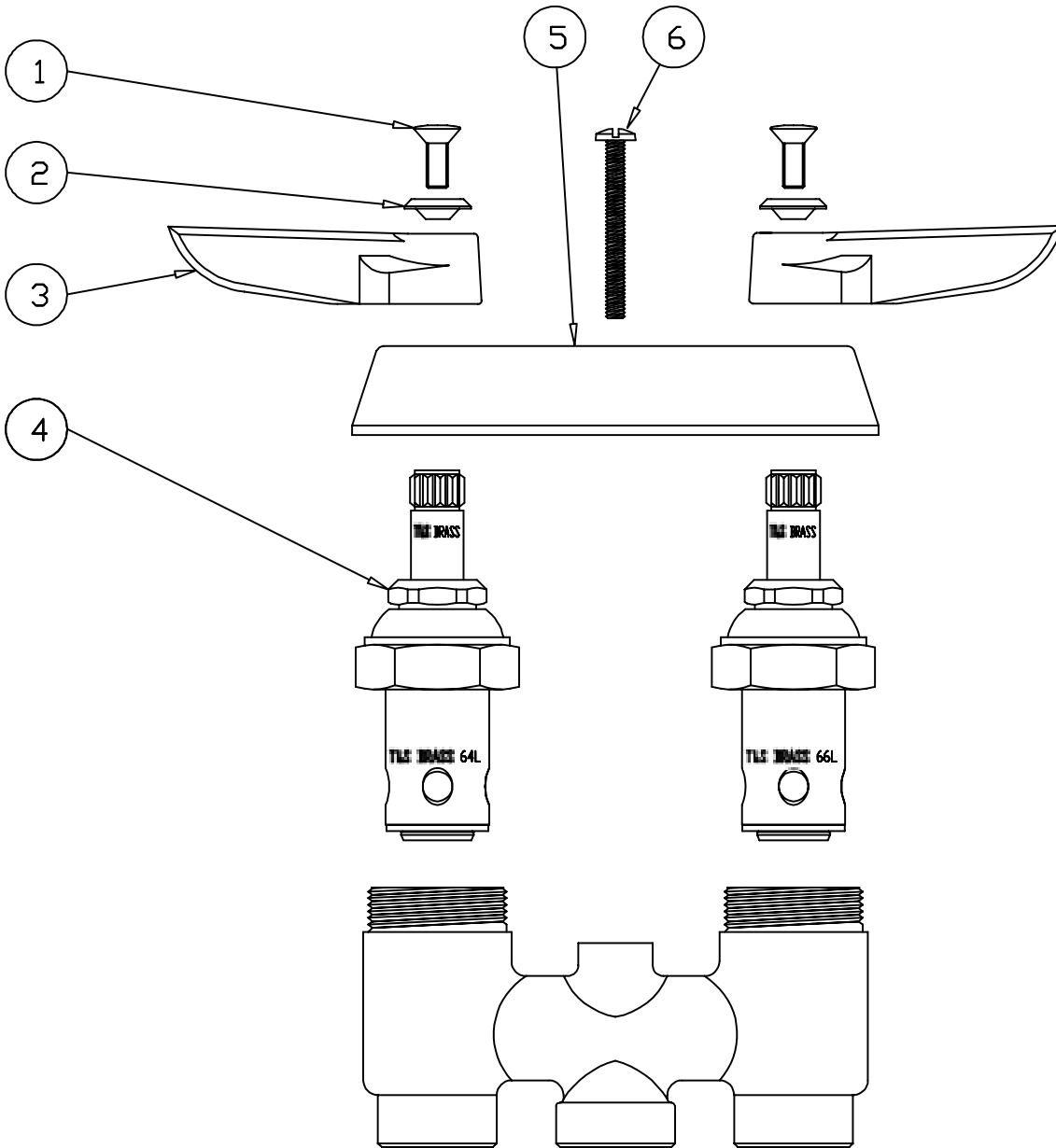


Concealed Mixing Faucet Assembly

| | | |
|---|--------------------------|-----------|
| 1 | Screw, Handle | 000922-45 |
| 2 | Index, Button, Blue/Cold | 001660-45 |
| | Index, Button, Red/Hot | 001661-45 |
| 3 | Handle, 4-Arm Kitchen | 002521-45 |
| 4 | Escutcheon | 000020-40 |
| 5 | Asm, Spindle, Hot | 006020-40 |
| 6 | Screw, Escutcheon | 002819-45 |



B-0513

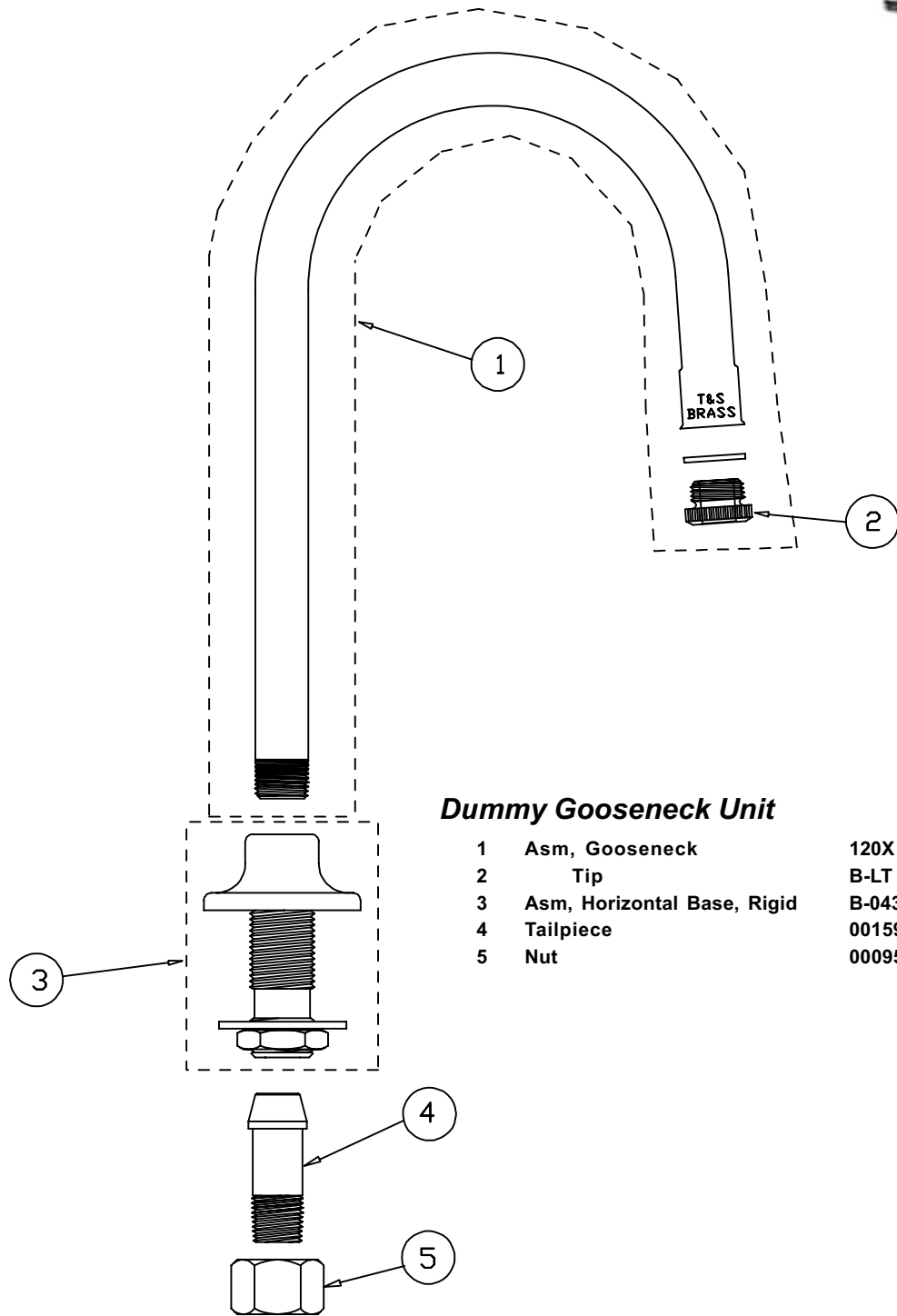


Concealed Mixing Faucet Assembly

| | | |
|---|--------------------------|-----------|
| 1 | Screw, Handle | 000922-45 |
| 2 | Index, Button, Blue/Cold | 001660-45 |
| | Index, Button, Red/Hot | 001661-45 |
| 3 | Handle, Lever | 001638-45 |
| 4 | Asm, Spindle - Cold | 006021-40 |
| | Asm, Spindle - Hot | 006020-40 |
| 5 | Escutcheon | 000020-40 |
| 6 | Screw, Escutcheon | 002819-45 |



B-0520

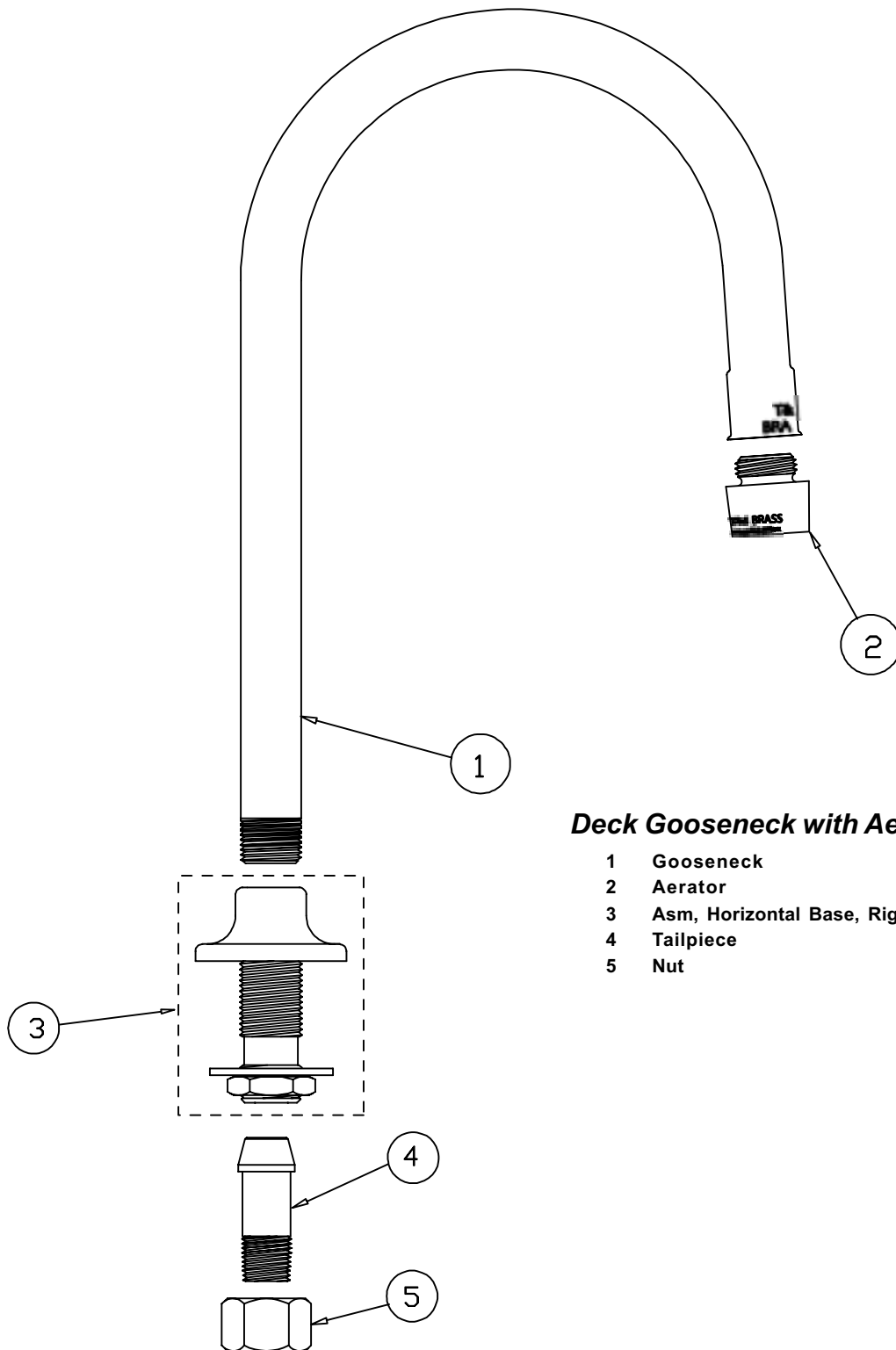


Dummy Gooseneck Unit

| | | |
|---|-----------------------------|-----------|
| 1 | Asm, Gooseneck | 120X |
| 2 | Tip | B-LT |
| 3 | Asm, Horizontal Base, Rigid | B-0430 |
| 4 | Tailpiece | 001592-20 |
| 5 | Nut | 000958-20 |



B-0521

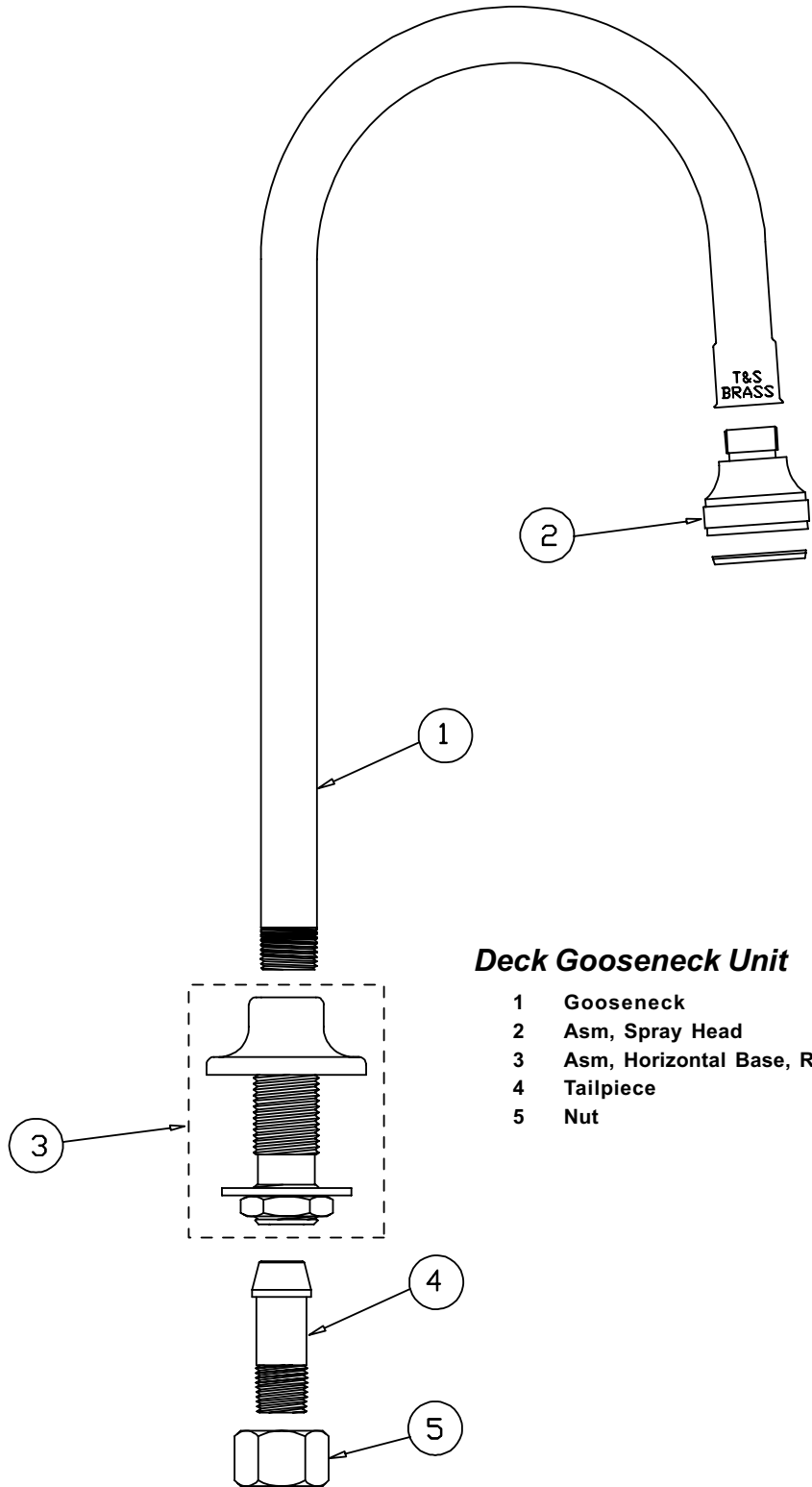


Deck Gooseneck with Aerator

| | | |
|---|-----------------------------|-----------|
| 1 | Gooseneck | 120X |
| 2 | Aerator | B-0199-02 |
| 3 | Asm, Horizontal Base, Rigid | B-0430 |
| 4 | Tailpiece | 001592-20 |
| 5 | Nut | 000958-20 |



B-0524

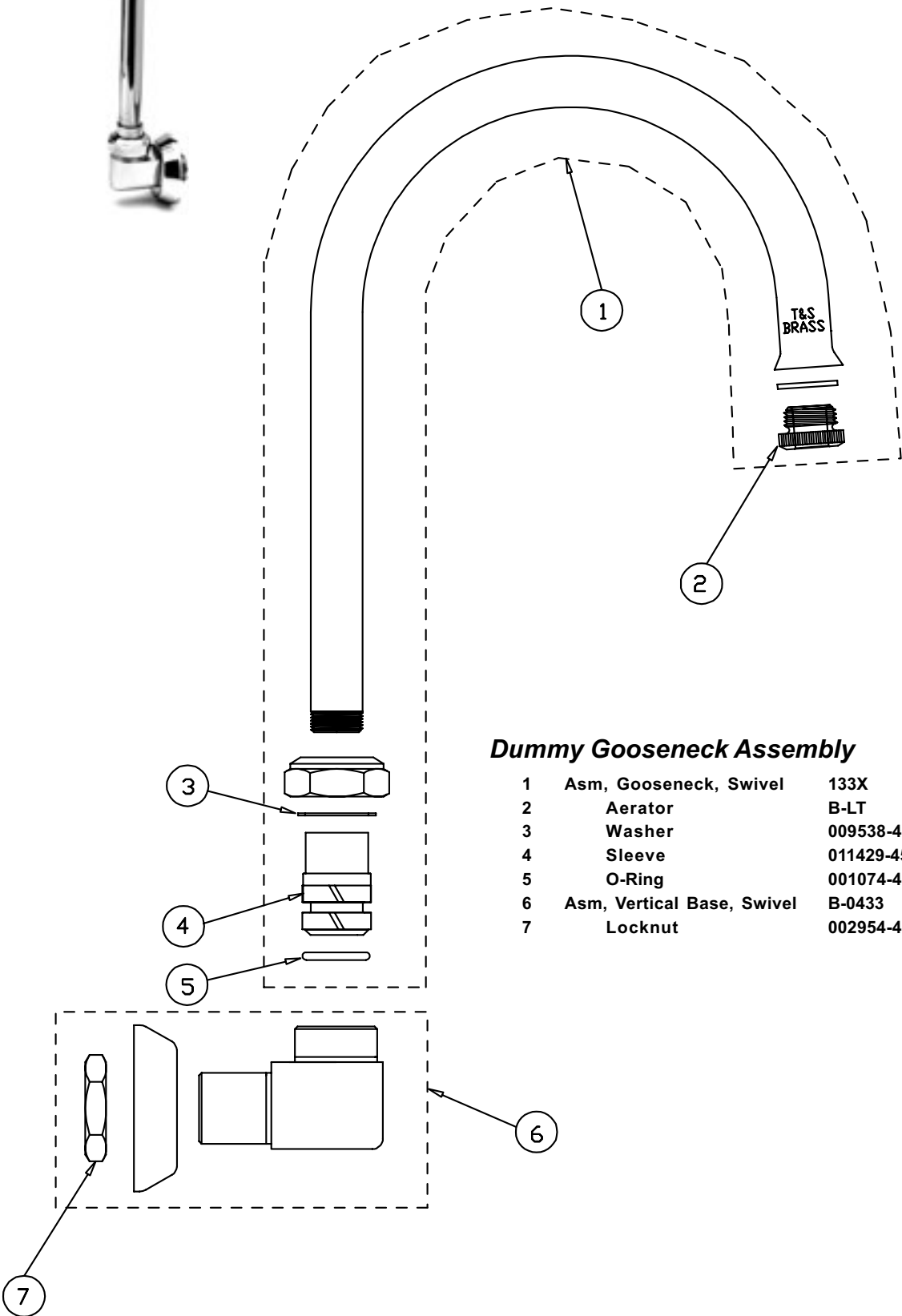


Deck Gooseneck Unit

| | | |
|---|-----------------------------|-----------|
| 1 | Gooseneck | 122X |
| 2 | Asm, Spray Head | B-0103 |
| 3 | Asm, Horizontal Base, Rigid | B-0430 |
| 4 | Tailpiece | 001592-20 |
| 5 | Nut | 000958-20 |



B-0525

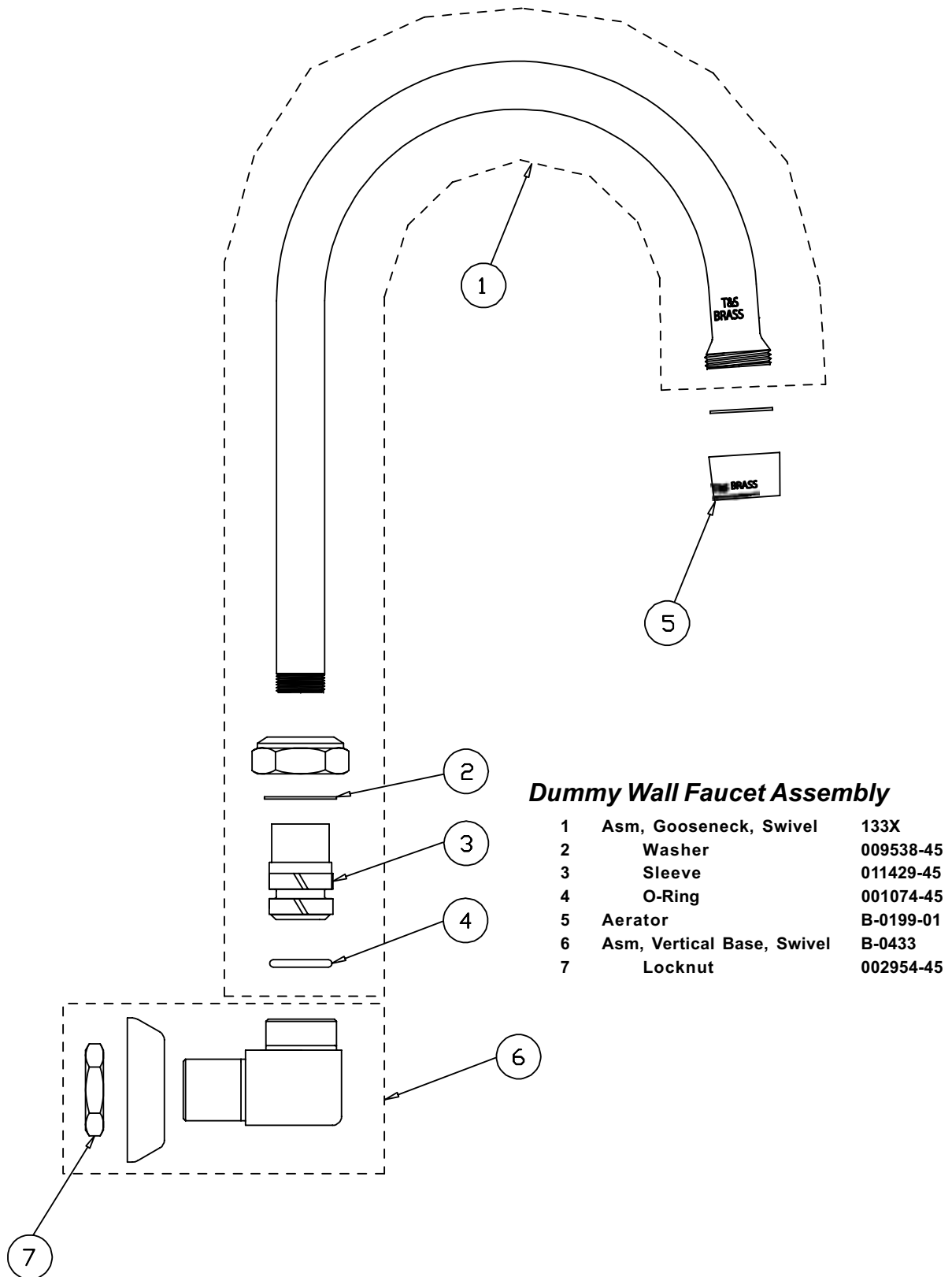


Dummy Gooseneck Assembly

| | | |
|---|----------------------------|-----------|
| 1 | Asm, Gooseneck, Swivel | 133X |
| 2 | Aerator | B-LT |
| 3 | Washer | 009538-45 |
| 4 | Sleeve | 011429-45 |
| 5 | O-Ring | 001074-45 |
| 6 | Asm, Vertical Base, Swivel | B-0433 |
| 7 | Locknut | 002954-45 |



B-0527



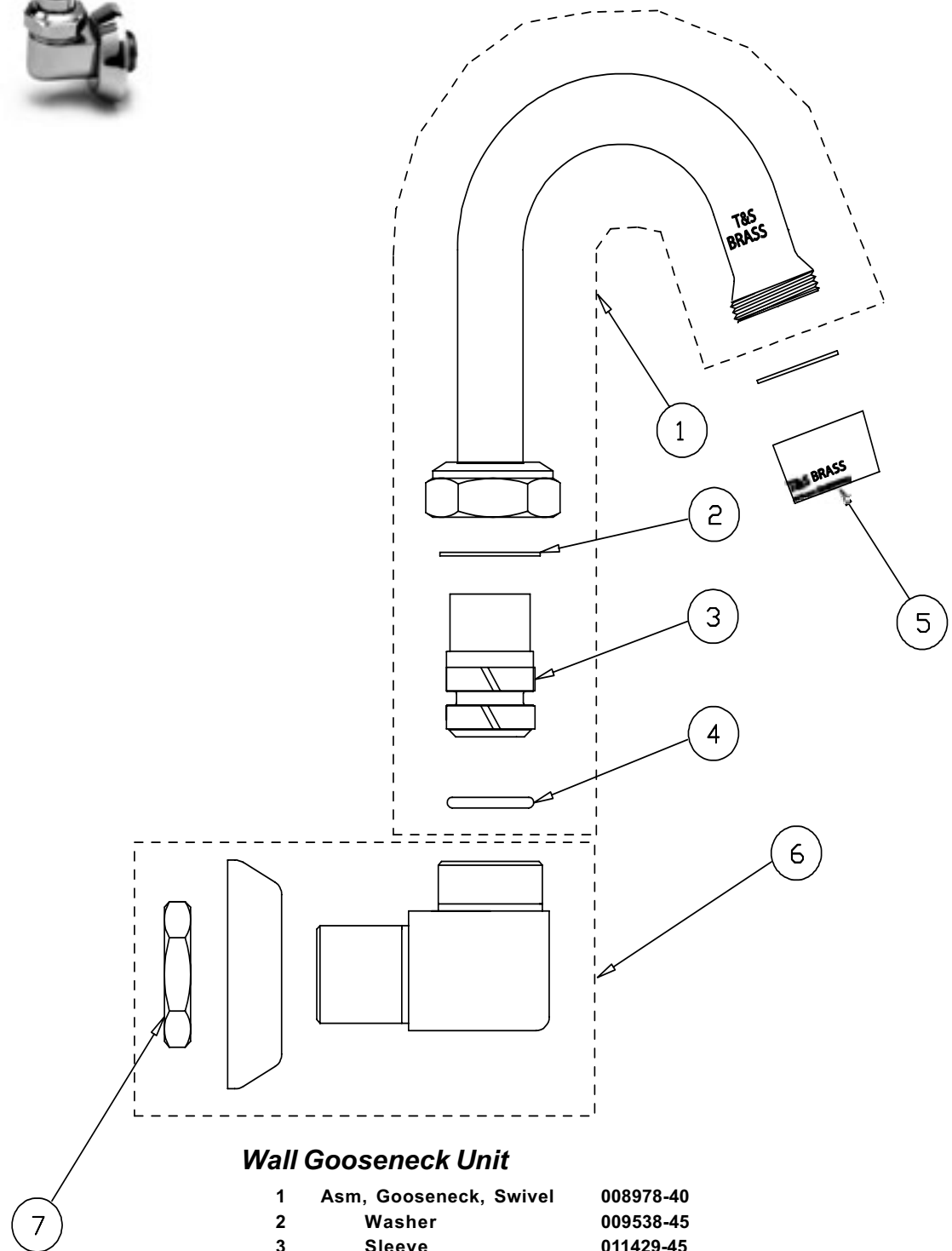
Dummy Wall Faucet Assembly

| | | |
|---|----------------------------|-----------|
| 1 | Asm, Gooseneck, Swivel | 133X |
| 2 | Washer | 009538-45 |
| 3 | Sleeve | 011429-45 |
| 4 | O-Ring | 001074-45 |
| 5 | Aerator | B-0199-01 |
| 6 | Asm, Vertical Base, Swivel | B-0433 |
| 7 | Locknut | 002954-45 |





B-0529

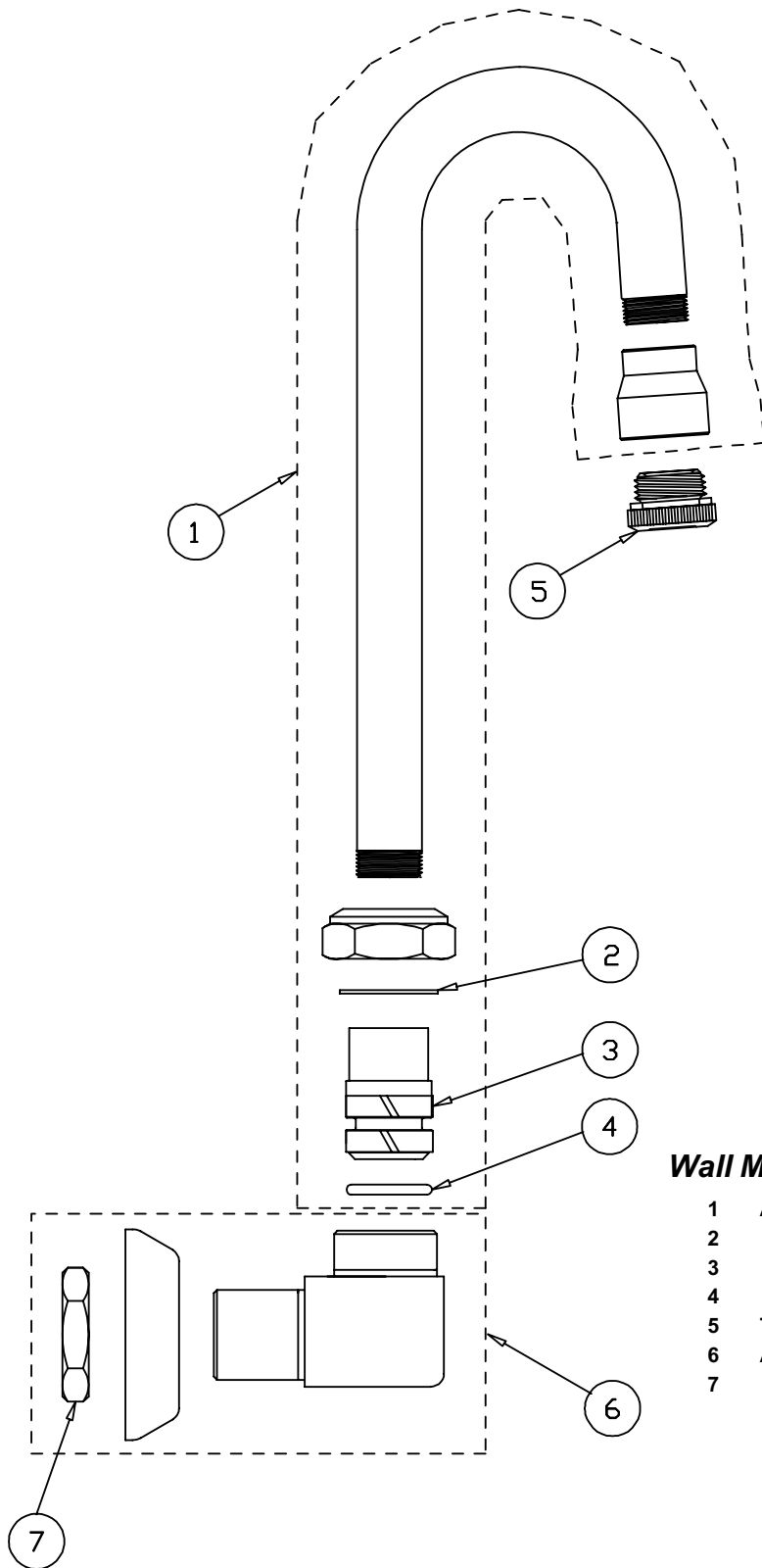


Wall Gooseneck Unit

| | | |
|---|----------------------------|-----------|
| 1 | Asm, Gooseneck, Swivel | 008978-40 |
| 2 | Washer | 009538-45 |
| 3 | Sleeve | 011429-45 |
| 4 | O-Ring | 001074-45 |
| 5 | Aerator | B-0199-01 |
| 6 | Asm, Vertical Base, Swivel | B-0433 |
| 7 | Locknut | 000713-20 |



B-0529-01

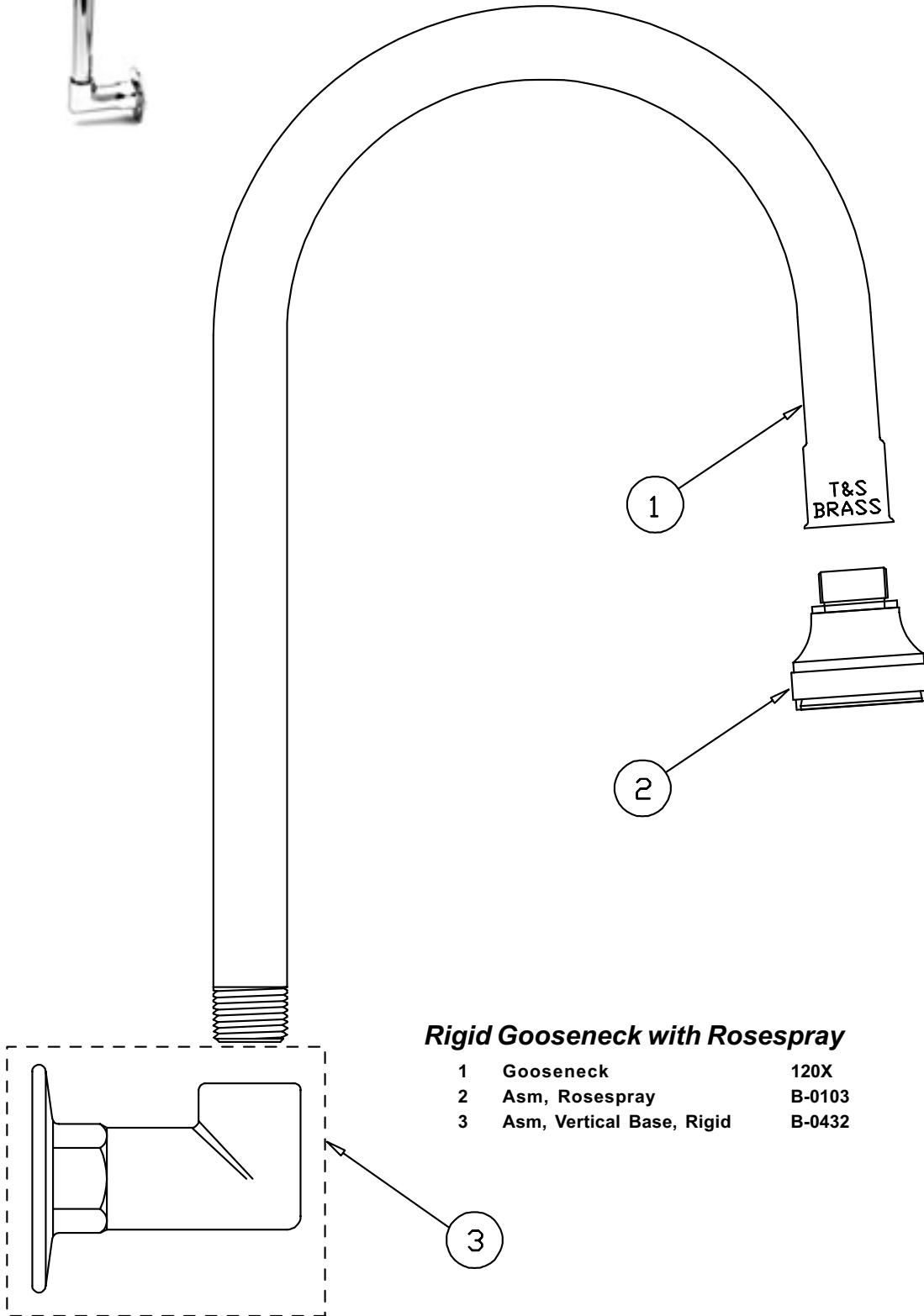


Wall Mounted Gooseneck Unit

| | | |
|---|----------------------------|-----------|
| 1 | Asm, Gooseneck, Swivel | 132X |
| 2 | Washer | 009538-45 |
| 3 | Sleeve | 011429-45 |
| 4 | O-Ring | 001074-45 |
| 5 | Tip | BL-T |
| 6 | Asm, Vertical Base, Swivel | B-0433 |
| 7 | Locknut | 000713-20 |



B-0535

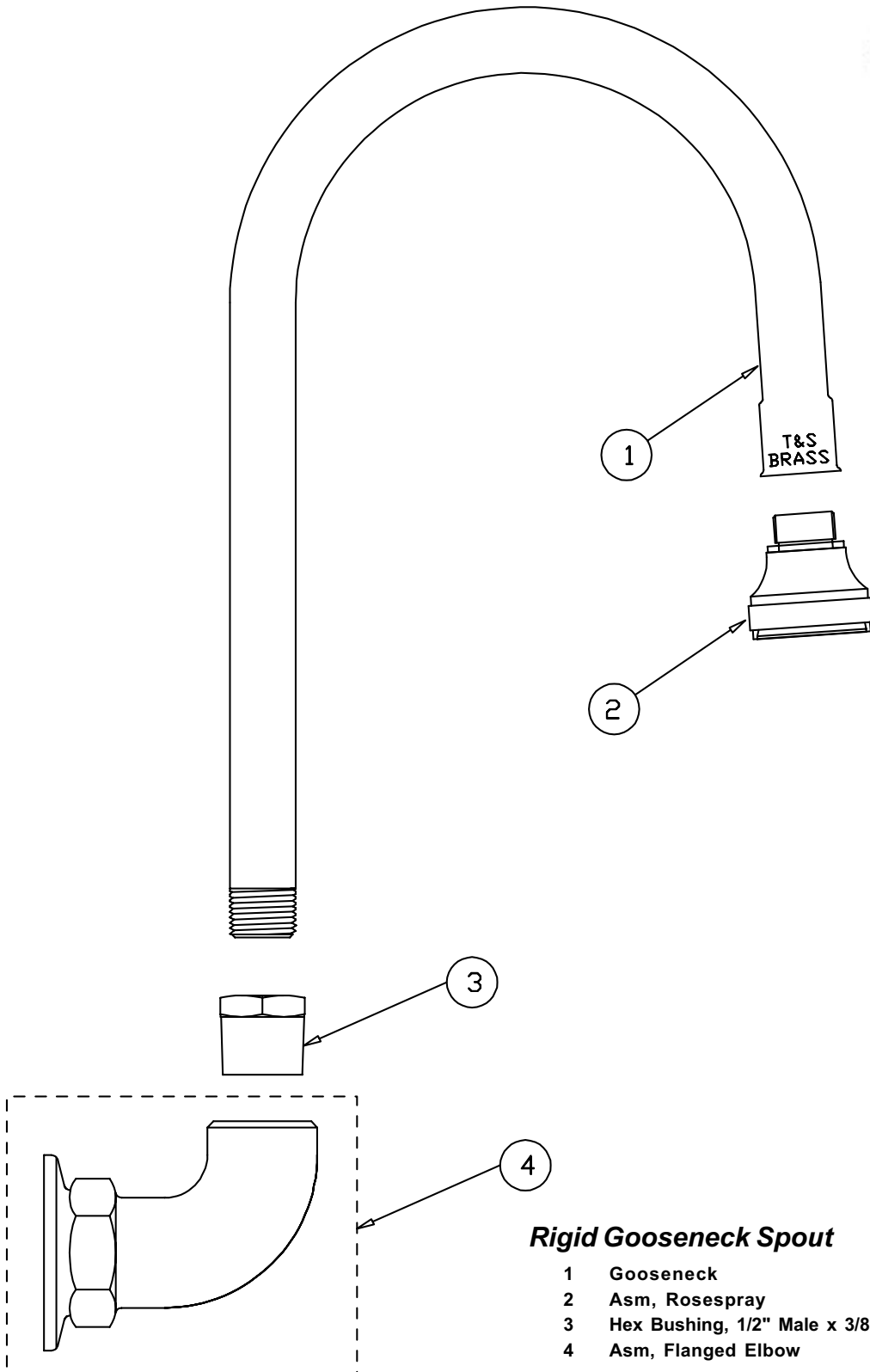


Rigid Gooseneck with Rosespray

- | | | |
|---|---------------------------|--------|
| 1 | Gooseneck | 120X |
| 2 | Asm, Rosespray | B-0103 |
| 3 | Asm, Vertical Base, Rigid | B-0432 |



B-0536

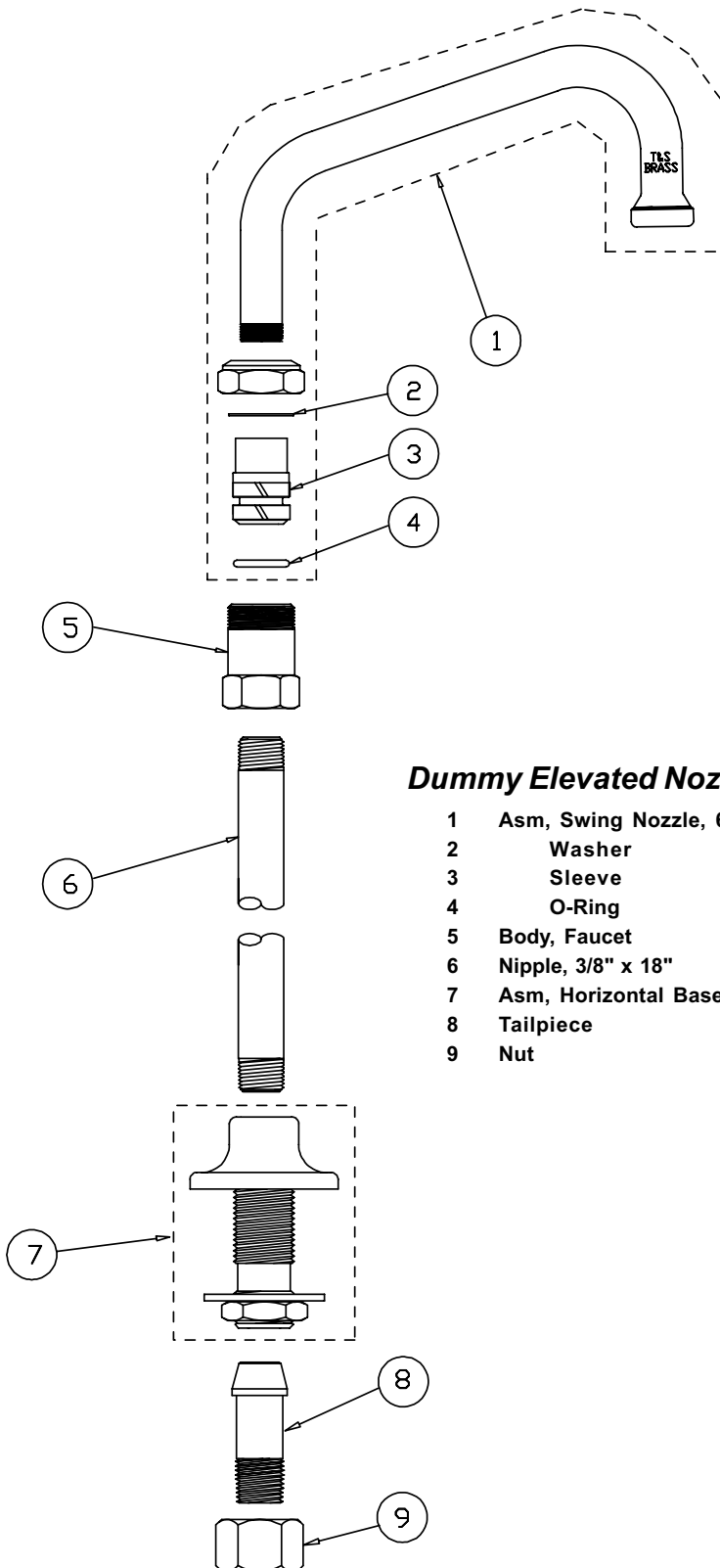


Rigid Gooseneck Spout

- | | | |
|---|--------------------------------------|------------|
| 1 | Gooseneck | 120X |
| 2 | Asm, Rosespray | B-0103 |
| 3 | Hex Bushing, 1/2" Male x 3/8" Female | 001359-40 |
| 4 | Asm, Flanged Elbow | BL-4250-14 |



B-0541



Dummy Elevated Nozzle Unit

| | | |
|---|-----------------------------|-----------|
| 1 | Asm, Swing Nozzle, 6" | 002877-40 |
| 2 | Washer | 009538-45 |
| 3 | Sleeve | 011429-45 |
| 4 | O-Ring | 001074-45 |
| 5 | Body, Faucet | 000585-25 |
| 6 | Nipple, 3/8" x 18" | 000369-40 |
| 7 | Asm, Horizontal Base, Rigid | B-0430 |
| 8 | Tailpiece | 001592-20 |
| 9 | Nut | 000958-20 |

