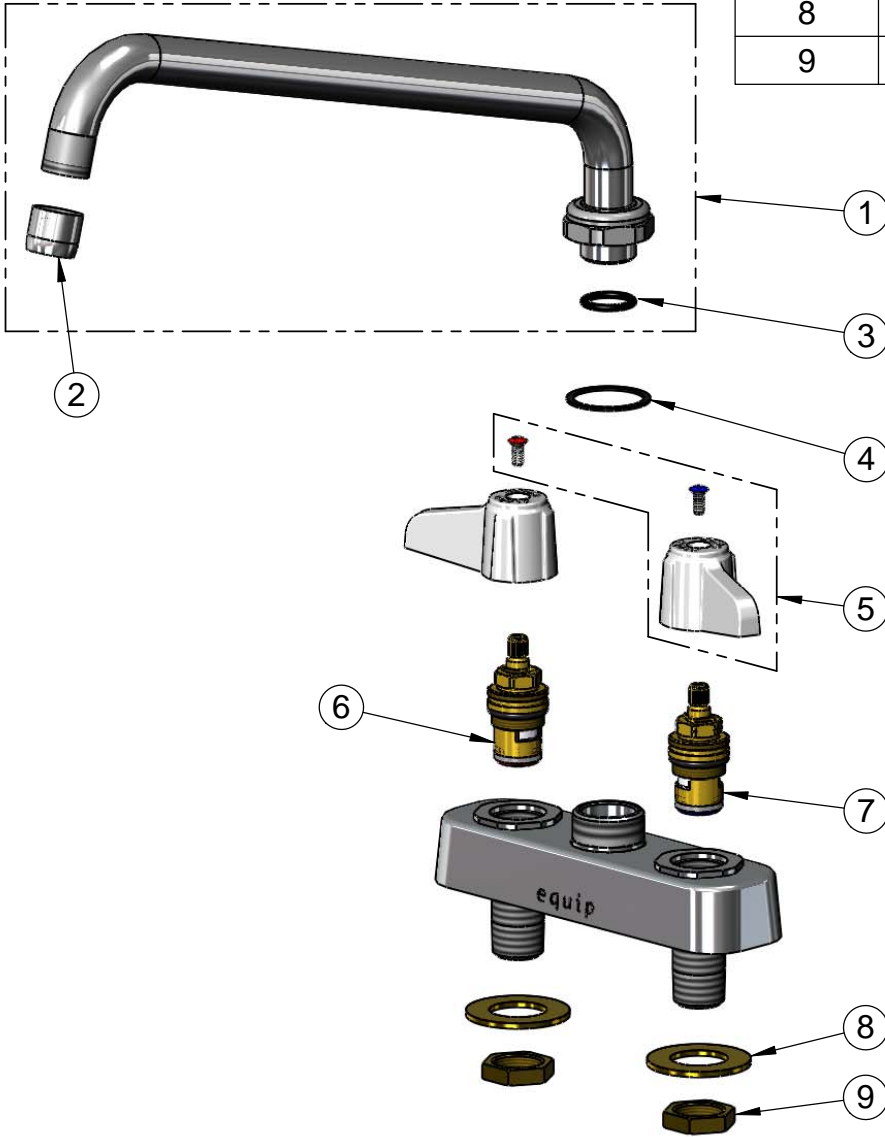


ITEM NO.	SALES NO.	DESCRIPTION
1	5SP-12	12" Swing Nozzle Assembly
2	014250-45	Laminar Flow Device
3	013848-45	O-Ring, Size -014, Nitrile
4	017587-45	Swivel Nut Seal
5	5-HDL-L	Lever Handle (Includes Blue & Red Screws)
6	013787-45	Equip Ceramic Crtg (RTC)
7	013788-45	Equip Ceramic Crtg (LTC)
8	000999-45	Brass Lock Washer
9	002954-45	Shank Lock Nut



Model Number 5F-4CLX12	Date 08/27/10	Scale NTS	Drawn DMH	Checked DHL	Approved JHB
---------------------------	------------------	--------------	--------------	----------------	-----------------



Product Specifications:

4" c/c Deck Mount Workboard Faucet w/ 12" Swing Nozzle

equip Foodservice Accessories
 2 Saddleback Cove, P.O. Box 1088
 Travelers Rest, South Carolina 29690
 Phone: 800.891.4808 Fax: 800.868.0084