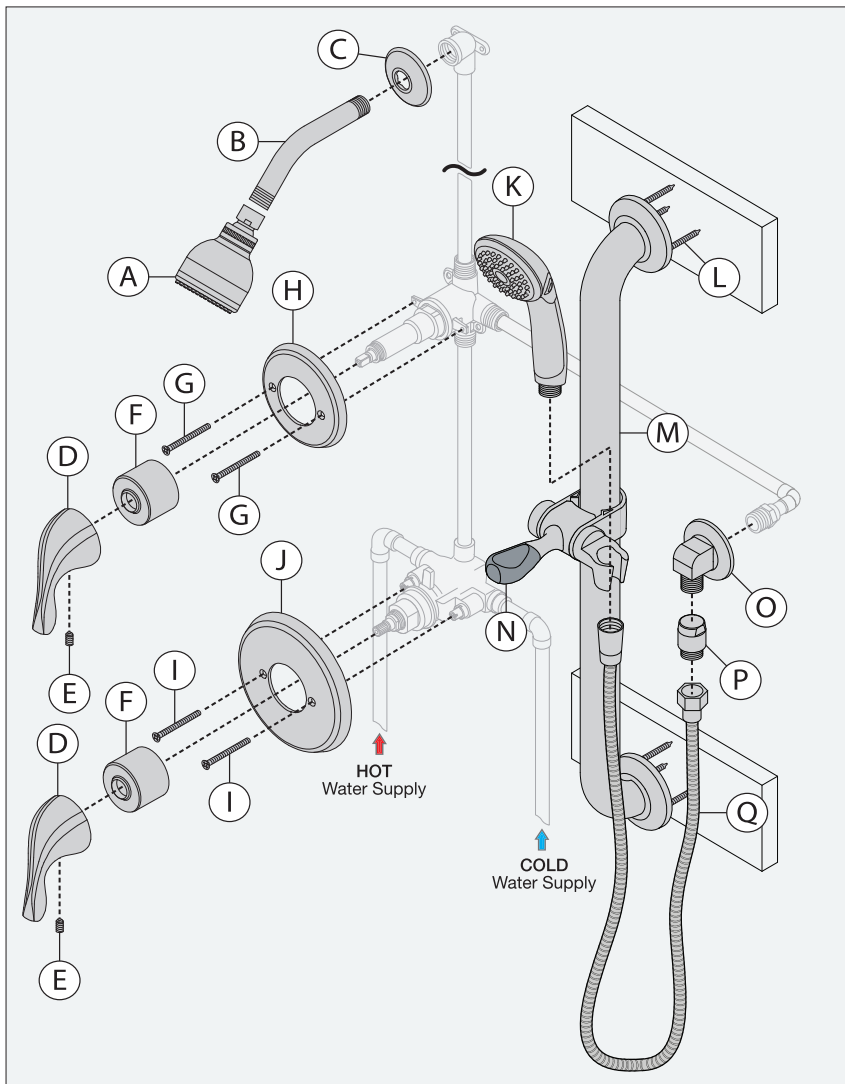


Parts Breakdown



Notes:



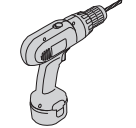
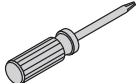

- 1) Apply a bead of silicone around the perimeter of all shower trim installed flush to the finished wall. Leave opening on bottom of escutcheons for weep hole.
- 2) Apply plumber tape to all threaded connections.
- 3) Escutcheon artwork is dependent on handle style.

Replacement Parts

Item	Description	Part Number
A	Showerhead	4-141*
B C	Shower Arm & Flange	300S*
D E	Shower or Diverter Handle Assembly	RTS-063*
F	Dome Cover	T-19*
G H	Diverter Escutcheon Kit	96-66-DIV-ESC*
I J	Shower Escutcheon Kit	Standard 9600-PLR-ESC* Brass 9600-PLR-B-ESC*
K	Hand Shower	ADACHS*
N	Slide Mechanism	FP-SM6*
O	Wall Ell	40A*
P Q	In-line Vacuum Breaker & 60" Hose	SP-4*

*Note: Append -STN to part number for Satin Nickel finish.

Tools Required

Adjustable wrench	
Allen wrench (1/8")	
Drill	
Phillips head screwdriver	
Plumber tape	
Silicone	