

# REPAIR PARTS

## LABORATORY PRODUCTS & DRENCH HOSES

**SE-570, SE-571, SE-572, SE-573, SE-575, SE-568**

PART #	PRODUCT DESCRIPTION
RPG05-0714	Bullhorn assembly with aerated sprays
RPG05-1177	Aerator replacement group (6 each)
RPG07-0104	Yellow flip top cap replacements (20 per bag)
RPG20-1883	SE-575 Ball valve repair group
RPG20-1996	Ball valve assembly (SE-572)
RPG38-0379	Spray head assembly with aerators (4 per bag)
RPG38-0421	Non-Aerated Spray Head Assembly for SE-573

For Products: SE-57X | SE-568

**DRENCH HOSES**

PART #	PRODUCT DESCRIPTION
G20-2020	Drench hose self closing valve repair group (SE-920)
RPG05-1177	Aerator replacement group (6 each)
RPG07-0104	Yellow flip top cap replacements (20 per bag)
RPG20-1742	Drench hose stay open valve repair group (SE-927)
RPG38-0390	Non-aerated spray head assembly (4 per bag)
RPG38-0379	Aerated spray head assembly for SE-580/582 (4 each)

For Products: SE-92X

## IMAGES



RPG05-0714



RPG05-1177



RPG07-0104



RPG20-1883



RPG20-1996



RPG38-0379



RPG38-0421



G20-2020



RPG20-1742



RPG38-0390

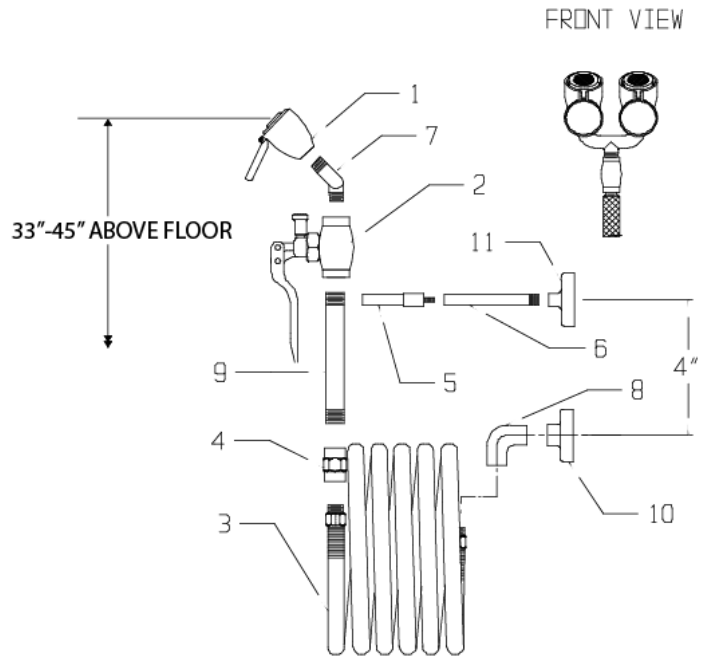
## MAINTENANCE

Should you need parts to repair this unit, please reference the parts list below for correct part numbers. Before any maintenance is done **be sure to shut the water supply off.**

**WARNING: Use only genuine Speakman parts when repairing or replacing components. To order parts call 1-800-537-2107.**

## SE-925-TEW REPLACEMENT/REPAIR PARTS

ITEM	PART/GROUP #	DESCRIPTION
1	RPG38-0380	Spray Head Assy.
2	G20-1742-PC	Self-Closing Valve
3	G63-0025-RCP	12' Nylon Recoil Hose
4	05-0478-PC	3/8" IPS Female Socket
5	05-1672-MO	Hose Clip
6	32-0200-RCP	Hose Hanger Rod
7	24-0295-PC-P	Bullhorn Tee
8	25-0017-RCP	1/2" NPT Elbow
9	31-0292-PC	3/8" NPT x 5"lg Br Pipe
10	26-0044-PC-P	1/2" Pipe Wall Flange
11	26-0100-PC	Strap Flange



## FLOW DATA

DRENCH HOSE:

FLOW PRESSURE	PSI (BAR)	30 (2.07)
FLOW RATE	GPM (LPM)	2.37 (9)

NOTE: This unit should be connected to an uninterrupted source of potable water, with a minimum flowing pressure of 30 PSI and a maximum static pressure of 125 PSI.

Note: All units meet existing ANSI Z358.1 1998 Standards and OSHA Rules. Product improvements may cause specification and dimensional changes without notice.

**SPEAKMAN®**

400 Anchor Mill Rd. New Castle, DE 19720 Phone: 800-537-2107  
07/12 Visit us on the web at [www.speakmancompany.com](http://www.speakmancompany.com)

Fax: 800-977-2747  
92-SE-925-TEW-R3