

# BASYS™ EFX-1XX/EFX-2XX Active IR Series

## PARTS LIST—EFX-1XX/EFX-2XX SERIES

Item No.	Code No.	Part No.	Description
1.	—	—	Mid Mount Faucet Assembly
—	—	—	Mid Mount Faucet Assembly with Integral Side Mixer
—	—	—	High Mount Faucet Assembly
—	—	—	High Mount Faucet Assembly with Integral Side Mixer
2.	<b>0324009</b>	EFX-9	0.5 gpm (1.9 Lpm) Multi-Lam Spray Head
—	<b>0324010</b>	EFX-10	1.5 gpm (5.7 Lpm) Aerated Stream Insert
—	<b>0324011</b>	EFX-11	1.5 gpm (5.7 Lpm) Laminar Stream Insert
3.	<b>0324012</b>	EFX-12	Spray Head Removal Tool
4A.	<b>0324015</b>	EFX-15	0.5 gpm (1.9 Lpm) Solenoid Valve Caddy Assembly for Mid Mount Faucets
—	<b>0324016</b>	EFX-16	1.5 gpm (5.7 Lpm) Solenoid Valve Caddy Assembly for Mid Mount Faucets
4B.	<b>0324017</b>	EFX-17	0.5 gpm (1.9 Lpm) Solenoid Valve Caddy Assembly for High Mount Faucets
—	<b>0324018</b>	EFX-18	1.5 gpm (5.7 Lpm) Solenoid Valve Caddy Assembly for High Mount Faucets
5.	<b>0324019</b>	EFX-19	Strainer
6.	<b>0324007</b>	EFX-7	Battery Pack Assembly*
7A.	<b>0324001</b>	EFX-1	Crown Assembly
7B.	<b>0324003</b>	EFX-3	Solar Crown Assembly
—	<b>0324004</b>	EFX-4	Solar Crown with LCD Assembly
8.	—	EL-642	2.5 mm Allen Key (Hex Wrench)
9.	<b>0324024</b>	EFX-24	Mixer Handle Assembly
10.	<b>0324025</b>	EFX-25	Handle Cap
11.	<b>0335000</b>	EAF-1	Faucet Mounting Kit
12.	<b>3335023</b>	EAF-1008	13" (330 mm) Flexible Supply Hoses
13.	<b>0324026</b>	EFX-26	Trim Plate for 8" Centerset Sink
14.	<b>0324020</b>	EFX-20	Trim Plate for 4" Centerset Sink

\* IMPORTANT: Battery pack assembly uses four (4) AA alkaline batteries.

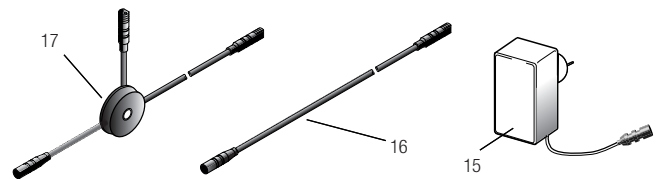
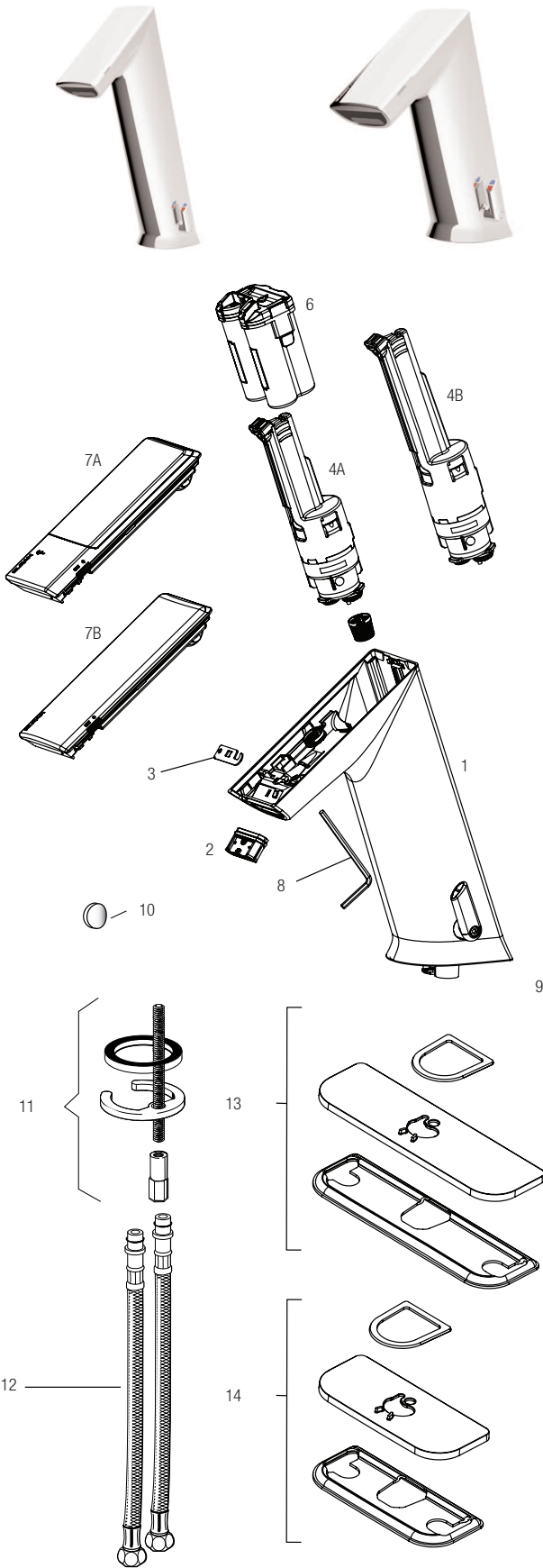
### NOT SHOWN SEPARATELY

—	<b>3326009</b>	MIX-60-A	Mechanical, Below Deck Mixing Valve
—	<b>0326045</b>	MIX-130-A	Thermostatic, Below Deck Mixing Valve

### ACCESSORIES

15.	<b>0324027</b>	EFX-27	90-264 VAC/6.75 VDC Plug-In Adapter (US)
—	<b>0324030</b>	EFX-30	6 VDC Box Mount Adapter
—	<b>0324029</b>	EFX-29	90-264 VAC/6.75 VDC Plug-In Adapter (UK)
—	<b>0324028</b>	EFX-28	90-264 VAC/6.75 VDC Plug-In Adapter (EU)
16.	<b>0335024</b>	EAF-24-A	11-13/16" (300 mm) Extension Cable
—	<b>0335025</b>	EAF-25-A	47-1/4" (1200 mm) Extension Cable
—	<b>0335015</b>	EAF-17-A	126" (3200 mm) Extension Cable
17.	<b>0335023</b>	EAF-23-A	Splitter Cable

— in Item No. column = Not shown in illustration  
 — in Code No. and Part No. column = Not sold separately



## BASYS™ EFX-1XX/EFX-2XX Active IR Series

### TROUBLESHOOTING GUIDE

#### 1. GREEN LED in spout DOES NOT blink 5 times after battery installation.

- A. Battery placement is incorrect or batteries have been discharged. Ensure batteries are installed properly. Check the orientation of each battery matches the positive (+) and negative (-) symbols shown on the battery compartment.

#### 2. Faucet DOES NOT function.

- A. Adhesive packaging label affixed over sensor eye. Remove adhesive label from sensor eye.

#### 3. Faucet delivers water in an uncontrolled manner.

- A. Faucet is not working properly. Contact the Sloan Valve Company Installation Engineering Department at 1-888-SLOAN-14 (1-888-756-2614).

#### 4. Faucet DOES NOT deliver any water when sensor is activated.

**INDICATOR: Solenoid valve produces an audible “CLICK.”**

- A. Water supply stop(s) closed. Open water supply stop(s).
- B. Strainer is clogged. Remove, clean, and reinstall strainer. Replace strainer, if needed.

**INDICATOR: Solenoid valve DOES NOT produce an audible “CLICK.”**

- A. Batteries low (battery activated models). Replace batteries.
- B. Power failure (hardwire models). Check power supply.

#### 5. Faucet delivers only a slow flow or dribble when Sensor is activated.

- A. Water supply stop(s) are partially closed. Completely open water supply stop(s).
- B. Strainer is clogged. Remove, clean, and reinstall strainer. Replace strainer, if needed.

#### 6. Faucet DOES NOT stop delivering water or continues to drip after user is no longer detected.

- A. Faucet is not working properly. Contact the Sloan Valve Company Installation Engineering Department at 1-888-SLOAN-14 (1-888-756-2614).

#### 7. LED indicator blinks RED when faucet is in use.

- A. Batteries low (battery activated models). Replace batteries.

#### 8. The water temperature is too hot or too cold on a faucet connected to hot and cold supply lines.

- A. Supply stops are not adjusted properly. Adjust supply stops.
- B. For models with integral side mixing valve—Mixing valve is set improperly for the water temperature desired. Rotate mixing valve handle clockwise to decrease water temperature or counterclockwise to increase water temperature.
- C. Inadequate hot water supply. Adjust hot water supply stop.

**When assistance is required, please contact Sloan Valve Company Installation Engineering Department at: 1-888-SLOAN-14 (1-888-756-2614).**

### CARE AND CLEANING INSTRUCTIONS

DO NOT use abrasive or chemical cleaners (including chlorine bleach) to clean faucet that may dull the luster and attack the chrome or special decorative finishes. Use ONLY mild soap and water, then wipe dry with clean cloth or towel. While cleaning the bathroom tile, protect the faucet from any splattering of cleaner. Acids and cleaning fluids will discolor or remove chrome plating.