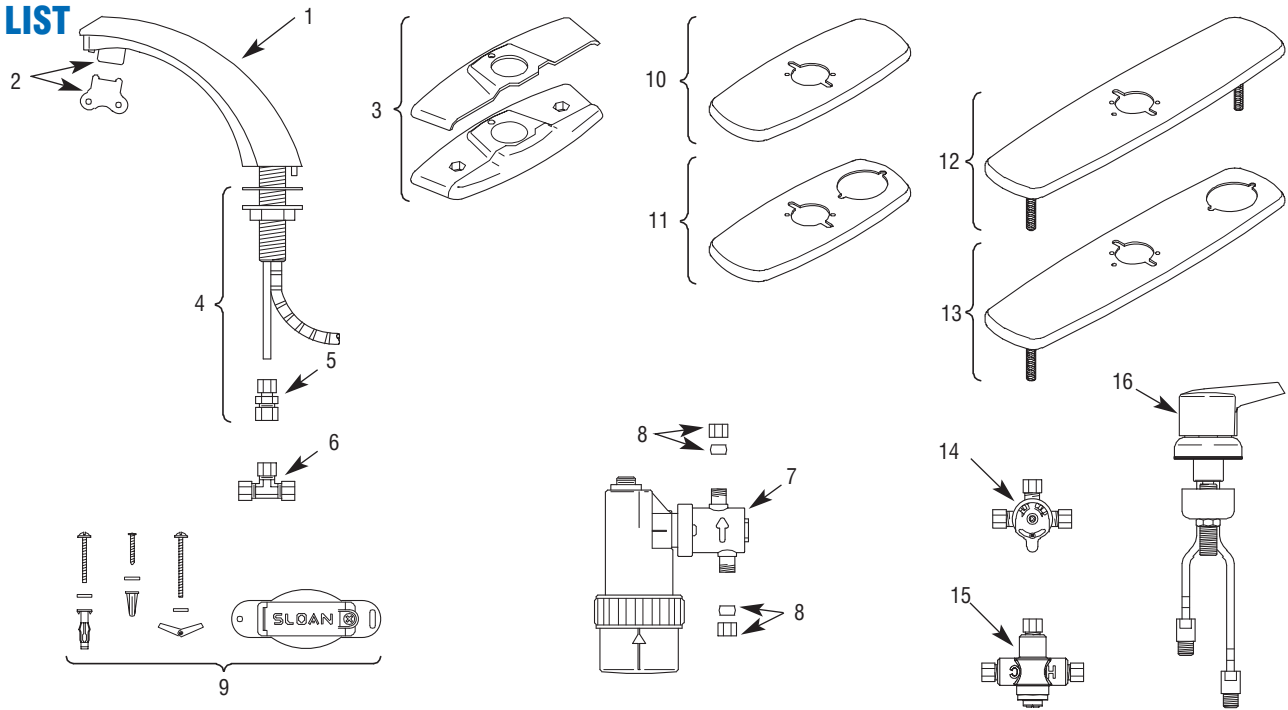


PARTS LIST



Item No.	Part No.	Description
1	EBF-10-A	Faucet and Sensor Assembly (EBF-85 with Black Plastic Throat Plate)
	EBF-170-A	Faucet and Sensor Assembly (EBF-187 with CP Metal Throat Plate)
	EBF-1009-A	Fiber Optic Sensor Cable Assembly Only (replaces EBF-12-A, includes lens holder)
2	ETF-1021-A	0.5 gpm (1.9 Lpm) Spray Head with Key (female thread)
	ETF-1022-A	2.2 gpm (8.3 Lpm) Aerator Spray Head with Key (female thread)
	ETF-1027-A	2.2 gpm (8.3 Lpm) Laminar Flow Spray Head (female thread)
	ETF-435	Replacement Key ONLY for ETF-1021-A and ETF-1022-A Spray Heads. (NOT required for ETF-237 Laminar Flow Spray Head)
3	ETF-295-A	4" (102 mm) Centerset Trim Plate Kit for EBF-85 Faucet (Faucet Only); includes two (2) Nuts, two (2) Hex Screws, two (2) Flat Plate Washers, Single Hole CP Cover Plate and Black Plastic Base Plate
	ETF-299-A	4" (102 mm) Centerset Trim Plate Kit for EBF-85 Faucet with Optional Mixing Valve includes Dual Hole CP Cover Plate and Black Plastic Base Plate (not shown)
4	ETF-290-A	Faucet Mounting Kit, includes Rubber Gasket, Flange Nut and ETF-297 1/4" to 3/8" Reducing Compression Fitting Connector
5	ETF-297	1/4" to 3/8" Reducing Compression Fitting Connector
6	ETF-617-A	3/8" Bak-Chek® Tee Compression Fitting
7	EBF-11-A	Solenoid Valve Module Assembly; includes Solenoid Enclosure, Solenoid Body, and Filter Cap
	EBF-4	Four (4) C-size Alkaline Batteries
8	EBF-16	ETF-208, 3/8" (10 mm) Ferrule, two (2) supplied and ETF-209, 3/8" (10 mm) Compression Nut, two (2) supplied
9	EBF-25-A	Mounting Bracket Kit; includes Wall Bracket Base, Wall Bracket, Self-tapping Screw, two (2) Wood Screws plus Washers and Plastic Anchors, two (2) Screws plus Washers and Toggle Nuts, two (2) Screws plus Washers and Hollow Wall Anchors

Item No.	Part No.	Description
-	EBF-1004-A	Solenoid Filter Replacement Kit; includes Filter Screen Assembly and O-ring

OPTIONAL TRIM PLATES

10	ETF-312-A	4" (102 mm) Centerset Trim Plate Kit for EBF-187 Faucet (Faucet Only); includes Back-up Spacer, Self-tapping Screw and CP Single Hole Trim Plate Assembly
11	MIX-101-A	4" (102 mm) Centerset Trim Plate Kit for EBF-85 or EBF-187 Faucet with Optional Mixing Valve; includes Back-up Spacer, Self-tapping Screw and CP Dual Hole Trim Plate Assembly
12	ETF-510-A	8" (203 mm) Centerset Trim Plate Kit for EBF-85 or EBF-187 Faucet (Faucet Only); includes two (2) Finger Nuts, two (2) Washer Gaskets, two (2) Fender Washers, Base Gasket, Back-up Spacer and CP Single Hole Trim Plate Assembly
13	MIX-104-A	8" (203 mm) Centerset Trim Plate Kit for EBF-85 or EBF-187 Faucet with Optional Mixing Valve; includes one (1) Finger Nut, one (1) Washer Gasket, one (1) Fender Washer, Base Gasket, Back-up Spacer and CP Dual Hole Trim Plate Assembly

OPTIONAL MIXING VALVES

14	MIX-60-A	Below Deck Mechanical Water Mixing Valve (BDM Variation)
15	MIX-135-A	Below Deck Thermostatic Water Mixing Valve (BDT Variation)
16	MIX-110-AA	Optimix® Deck Mounted Water Mixing Valve

NOTICE: The information contained in this document is subject to change without notice.

For additional information about Sloan Mixing Valves or Trim Plates, consult our Installation Instructions and Maintenance Guides.

If further assistance is required, please contact the Sloan Valve Company Installation Engineering Department at 1-888-SLOAN-14 (1-888-756-2614)