



PeerlessBoilers.com

PUREFIRE®

PF-850 & PF-1000

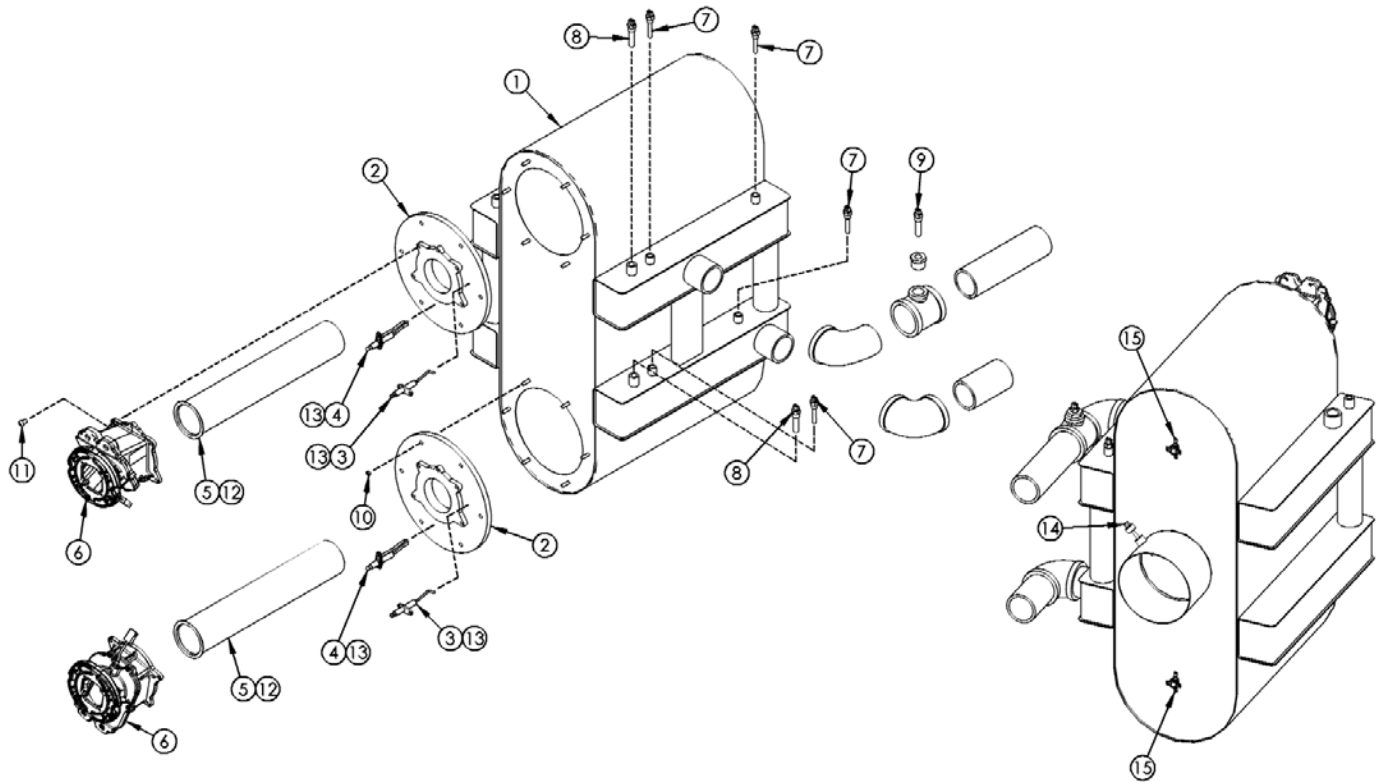
All repair parts orders - no minimum charges.

Please order with code number.

All prices quoted are in U.S. dollars.

All prices subject to change without notice.

All prices F.O.B. Bally, PA



PF-850 & PF-1000 – Heat Exchanger



PeerlessBoilers.com

PUREFIRE®

PF-850 & PF-1000

All repair parts orders - no minimum charges.

Please order with code number.

All prices quoted are in U.S. dollars.

All prices subject to change without notice.

All prices F.O.B. Bally, PA

PF-850 & PF-1000 – Heat Exchanger

	Description	Quantity Required	Stock Code	Trade Price
1	Heat Exchanger – PF-850	1	5651	\$13,744
	Heat Exchanger – PF-1000	1	5652	\$14,896
2	Burner Mounting Plate	2	54430	\$168
3	Flame Sensor Electrode w/Gaskets	2	54432	\$32
4	Ignition Electrode w/Gaskets	2	54431	\$34
5	Burner Element	2	54433	\$723
6	Flapper Assembly	2	54434	\$868
7	Supply/Return Sensor – 1/8" NPT 12 KW	4	54438	\$24
8	High Limit Switch – 1/4" NPT	2	54419	\$24
9	Header Supply Sensor – 1/4" NPT	1	54418	\$31
10	Hex. Flange Nut M6 Fine Thread	12	NIA	–
11	Screw M5-0.80 x 16 mm Zinc Plated	10	NIA	–
12	Burner Gasket	2	54467	\$24
13	Screw M4 x 8 mm Zinc Plated	4	NIA	–
14	Flue Temperature Sensor	1	54111	\$31
15	Thermal Fuse	2	54466	\$29



PeerlessBoilers.com

PUREFIRE®

PF-850 & PF-1000

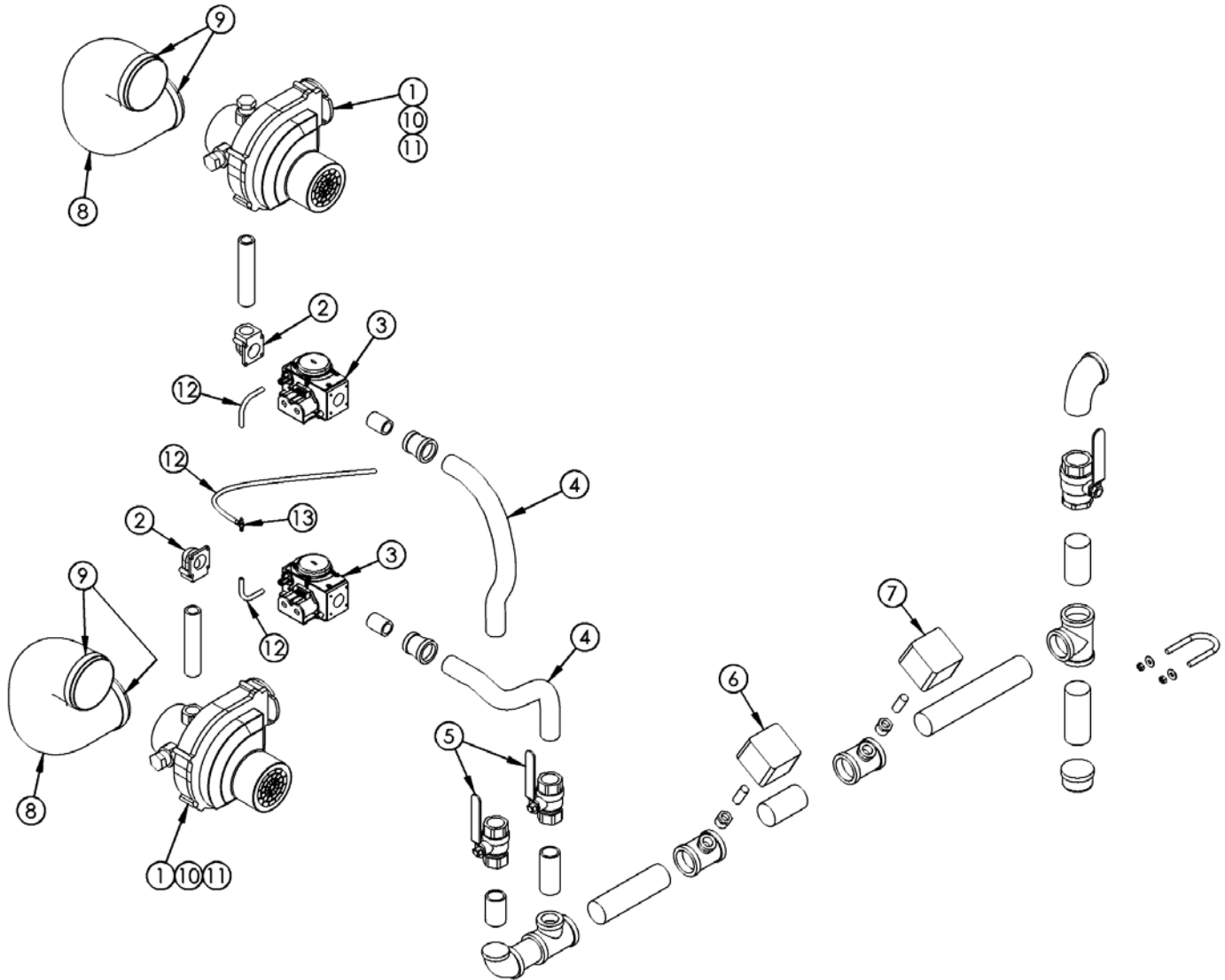
All repair parts orders - no minimum charges.

Please order with code number.

All prices quoted are in U.S. dollars.

All prices subject to change without notice.

All prices F.O.B. Bally, PA



PF-850 & PF-1000 – Blower/Gas Train



PeerlessBoilers.com

PUREFIRE®

PF-850 & PF-1000

All repair parts orders - no minimum charges.

Please order with code number.

All prices quoted are in U.S. dollars.

All prices subject to change without notice.

All prices F.O.B. Bally, PA

PF-850 & PF-1000 – Blower/Gas Train

	Description	Quantity Required	Stock Code	Trade Price
1	Blower	2	54428	\$618
2	3/4" NPT Flanged Elbow	2	5543	\$33
3	Gas Valve GB-057	2	54429	\$368
4	1" NPT x 18" Flexible Gas Hose	2	54439	\$76
5	1" NPT Gas Shutoff Valve	2	51703	\$56
6	Low Gas Pressure Switch	1	50700	\$131
7	High Gas Pressure Switch	1	50701	\$131
8	3" Flexible Air Inlet Hose	7.5 ft	54444	\$6
9	4" Hose Clamp	4	54443	\$4
10	Socket Head Cap Screw M5-0.80 x 12 mm	6	5415	\$2
11	Hex Head Cap Screw M5-0.80 x 12 mm	2	5688	\$2
12	1/8" ID Reference Tube	5 ft	1052	\$3
13	1/8" Hose Tee	–	6159	\$2



PeerlessBoilers.com

PUREFIRE®

PF-850 & PF-1000

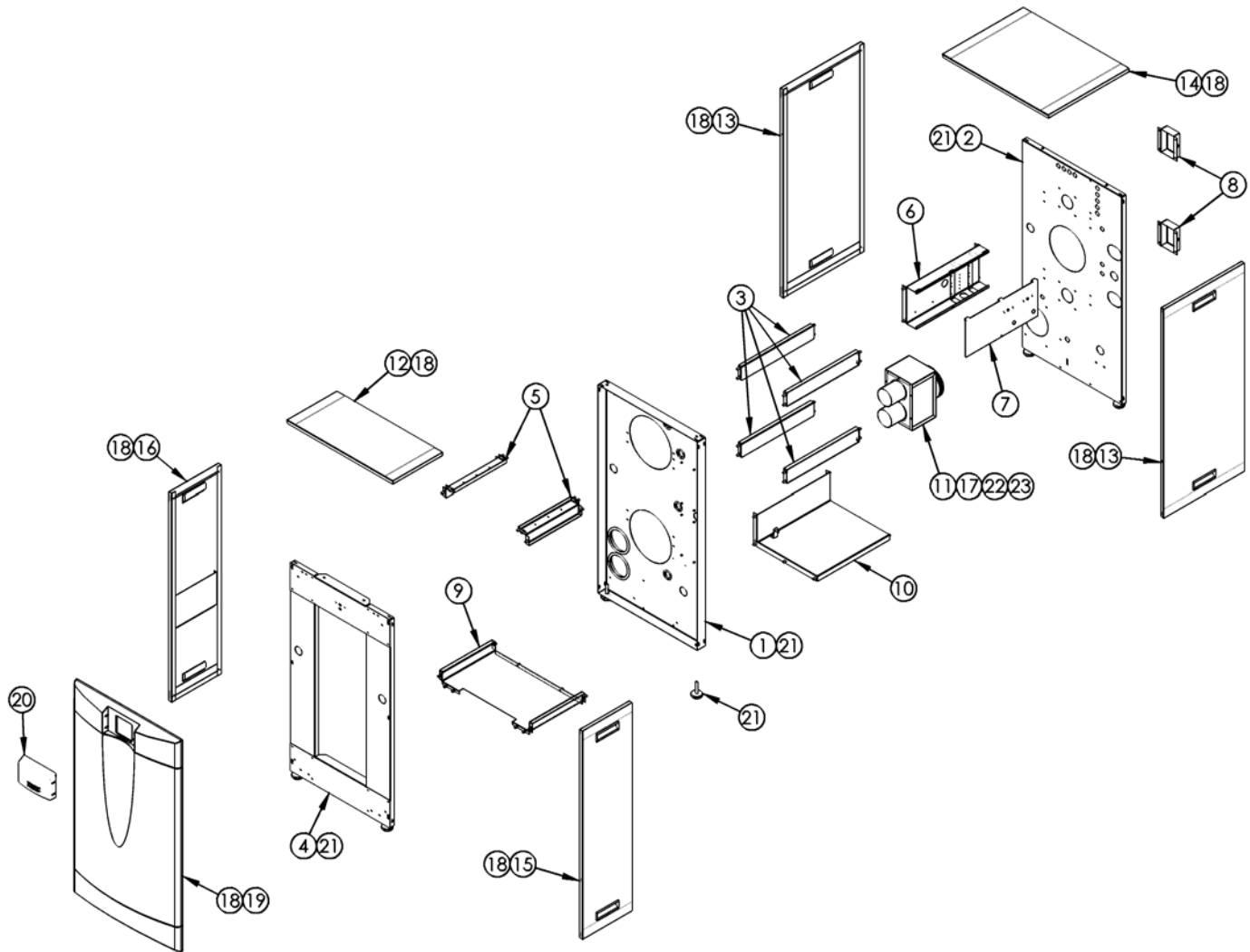
All repair parts orders - no minimum charges.

Please order with code number.

All prices quoted are in U.S. dollars.

All prices subject to change without notice.

All prices F.O.B. Bally, PA



PF-850 & PF-1000 – Jacket



PeerlessBoilers.com

PUREFIRE®

PF-850 & PF-1000

All repair parts orders - no minimum charges.

Please order with code number.

All prices quoted are in U.S. dollars.

All prices subject to change without notice.

All prices F.O.B. Bally, PA

PF-850 & PF-1000 – Jacket

	Description	Quantity Required	Stock Code	Trade Price
1	Heat Exchanger Support Panel – Front	1	PF2016	\$444
2	Heat Exchanger Support Panel – Rear	1	PF2017	\$444
3	Heat Exchanger Support Rails – PF-850	4	PF2018	\$32
	Heat Exchanger Support Rails – PF-1000	4	PF-2018-1	\$34
4	Blower Cabinet Frame Assembly	1	PF2027	\$440
5	Blower Cabinet Support Rails	2	PF2026	\$28
6	Electrical Terminal Enclosure – PF-850	1	PF2029	\$111
	Electrical Terminal Enclosure – PF-1000	1	PF2029-1	\$116
7	Terminal Enclosure Cover – PF-850	1	PF2030	\$38
	Terminal Enclosure Cover – PF-1000	1	PF2030-1	\$42
8	Thermal Fuse Cover	2	PF2031	\$22
9	Blower Cabinet Floor Pan	1	PF2033	\$122
10	Condensate System Tray – PF-850	1	PF5027	\$135
	Condensate System Tray – PF-1000	1	PF5027-1	\$138
11	Air Inlet Plenum Assembly	1	PF5044	\$78
12	Blower Cabinet Top Panel	1	PF6067	\$155
13	Side Heat Exchanger Access Panel – PF-850	2	PF6064	\$234
	Side Heat Exchanger Access Panel – PF-1000	2	PF6064-1	\$299
14	Top Heat Exchanger Access Panel – PF-850	1	PF6066	\$143
	Top Heat Exchanger Access Panel – PF-1000	1	PF6066-1	\$146
15	Blower Cabinet Right Side Panel	1	PF-6067	\$155
16	Blower Cabinet Left side Panel	1	PF-6067-1	\$168
17	Air Inlet Screen	1	54447	\$8
18	Ball Studs	30	5433	\$2
19	Front Cover Panel	1	54292	\$182
20	Control Lens	1	54127	\$60
21	Leveling Legs	6	5659	\$7
22	Tubing Connector	1	50770	\$1
23	1/4" Rubber Grommet	1	6158	\$1



PeerlessBoilers.com

PUREFIRE®

PF-850 & PF-1000

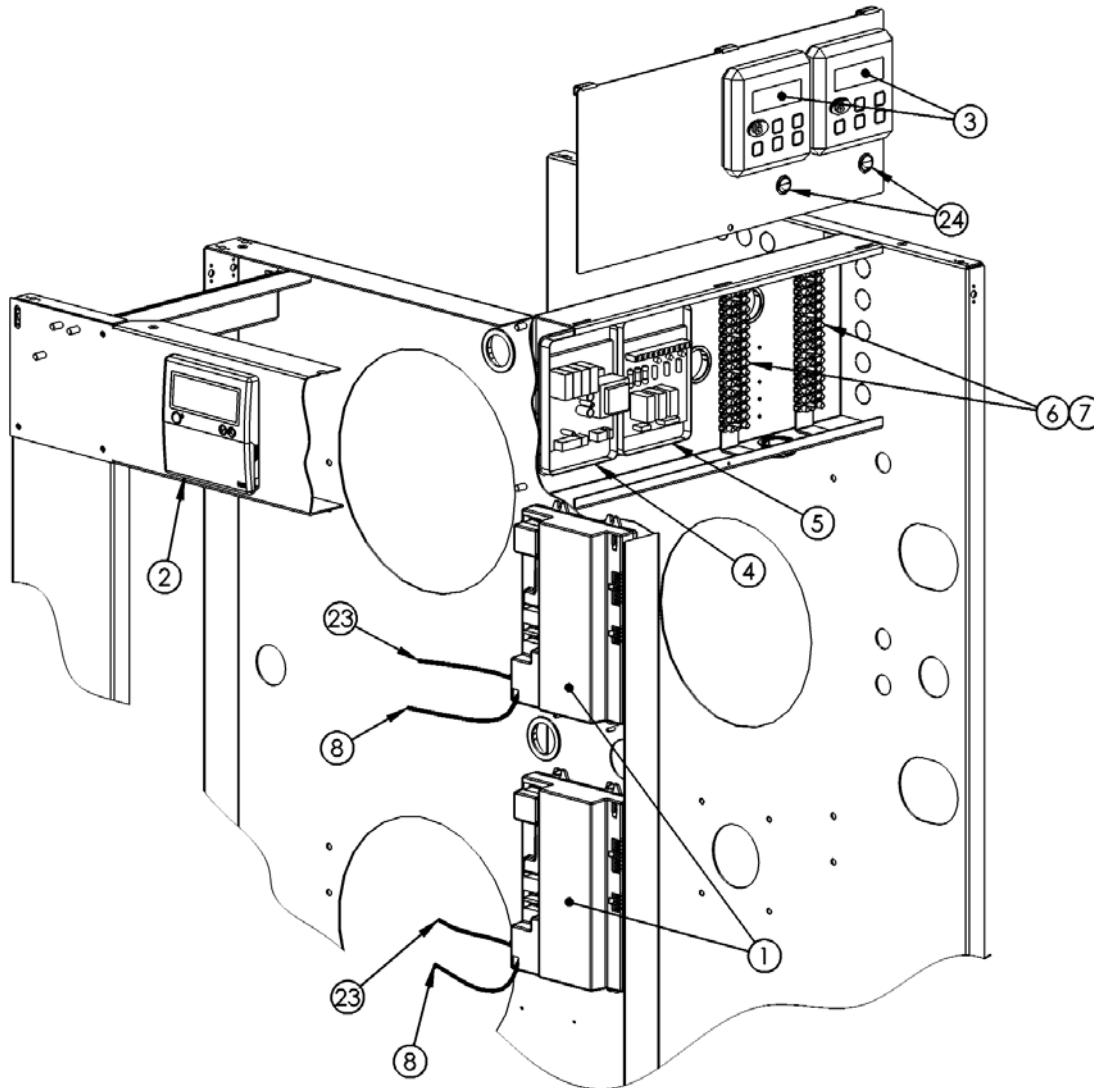
All repair parts orders - no minimum charges.

Please order with code number.

All prices quoted are in U.S. dollars.

All prices subject to change without notice.

All prices F.O.B. Bally, PA



PF-850 & PF-1000 – Controls/Wiring



PeerlessBoilers.com

PUREFIRE®

PF-850 & PF-1000

All repair parts orders - no minimum charges.

Please order with code number.

All prices quoted are in U.S. dollars.

All prices subject to change without notice.

All prices F.O.B. Bally, PA

PF-850 & PF-1000 – Controls/Wiring

	Description	Quantity Required	Stock Code	Trade Price
1	Integrated Primary Controls	2	54440	\$242
2	User Interface Pixel Display	1	54441	\$321
3	Installer Interface LED Display	2	54445	\$194
4	Interface Module	1	54442	\$189
5	Pump Relay Module	1	54437	\$118
6	Terminal Block – 10 Pole	2	5450	\$11
7	Terminal Block – 6 Pole	2	5547	\$6
8	Ignition Cable	2	54115	\$16
9	Harness J5M Master Control Sensors (not shown)	1	54448	\$84
10	Harness J5D Dependent Control Sensor (not shown)	1	54449	\$30
11	Harness J15M Master Flapper/Limits (not shown)	1	54450	\$56
12	Harness J15D Dependent Flapper/Limits (not shown)	1	54451	\$19
13	Harness J2M Master Control/Blower Power (not shown)	1	54452	\$49
14	Harness J2D Dependent Control/Blower Power (not shown)	1	54453	\$29
15	Harness J13M Master Gas Valve/Flame Sensor/High Limit (not shown)	1	54454	\$82
16	Harness J13D Dependent Gas Valve/Flame Sensor/High Limit (not shown)	1	54455	\$82
17	Harness J7M Master Gen Circulator (not shown)	1	54456	\$10
18	Harness J6M Master CH/DHW Circulator (not shown)	1	54457	\$18
19	Harness Line Voltage Terminal Strip/Power Switch/Relay Module (not shown)	1	54458	\$86
20	Harness J9 Blower Control (not shown)	2	54459	\$21
21	Harness Master Thermal Fuse w/Conduit (not shown)	1	54460	\$18
22	Harness Dependent Thermal Fuse w/Conduit (not shown)	1	54461	\$28
23	Harness Ground	2	PF7009	\$8
24	Rocker Switch	2	6049	\$12



PeerlessBoilers.com

PUREFIRE®

PF-850 & PF-1000

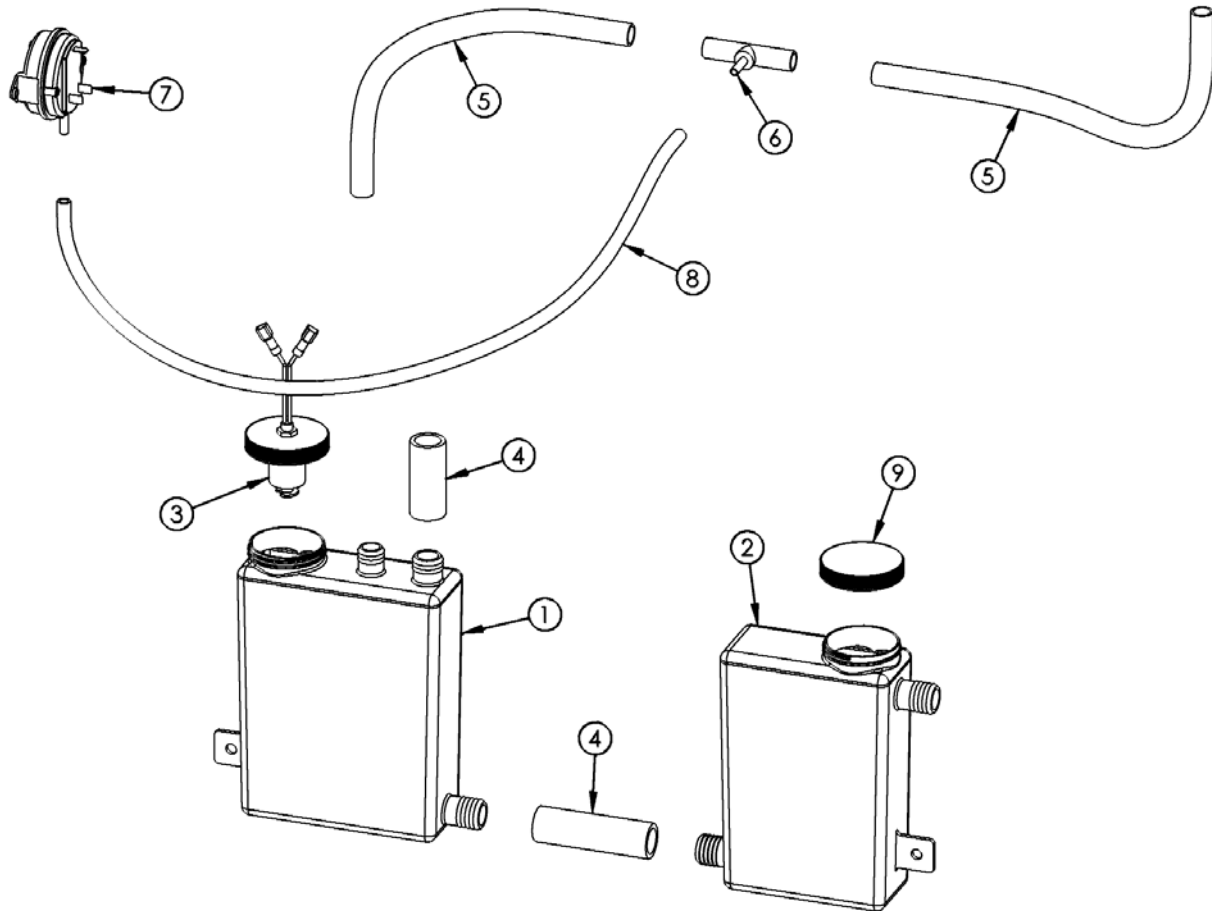
All repair parts orders - no minimum charges.

Please order with code number.

All prices quoted are in U.S. dollars.

All prices subject to change without notice.

All prices F.O.B. Bally, PA



PF-850 & PF-1000 – Condensate System



PeerlessBoilers.com

PUREFIRE®

PF-850 & PF-1000

All repair parts orders - no minimum charges.

Please order with code number.

All prices quoted are in U.S. dollars.

All prices subject to change without notice.

All prices F.O.B. Bally, PA

PF-850 & PF-1000 – Condensate System

	Description	Quantity Required	Stock Code	Trade Price
1	Condensate Receiver Container	1	54120	\$66
2	Condensate Neutralizer Container	1	54121	\$66
3	Condensate Blocked Drain Switch	1	54137	\$43
4	1" OD x 3/4" ID PVC Condensate Hose	3 in	5417	\$1/in
5	5/8" OD x 1/2" ID PVC Condensate Hose	4 ft	5416	\$1/in
6	5/8" x 5/8" x 1/4" Hose Barb Tee	1	5665	\$2
7	Blocked Vent Pressure Switch	1	54208	\$12
8	1/4" ID PVC Tubing	2 ft	5563	\$2

PF-850 & PF-1000 – Miscellaneous Parts – Loose

	Description	Quantity Required	Stock Code	Trade Price
1	Relief Valve – PF-850	1	51300	\$123
	Relief Valve – PF-1000		51301	\$210
2	Temperature/Pressure Gauge	1	51324	\$12
3	Stainless Steel Boot Tee w/ Test Port	1	5680	\$211
4	Stainless Steel Drain Fitting	1	5681	\$84
5	Stainless Steel - PVC Adapter	1	5682	\$55
6	6" Diameter Exhaust/Air Intake Screen	3	54446	\$8
7	Stacking Spacer	6	1457	\$6
8	Outdoor Sensor	1	54112	\$35
9	DHW Tank Sensor	(Optional)	54157	\$42
10	Condensate Neutralizing Media (1 lb bag)	2	54159	\$17