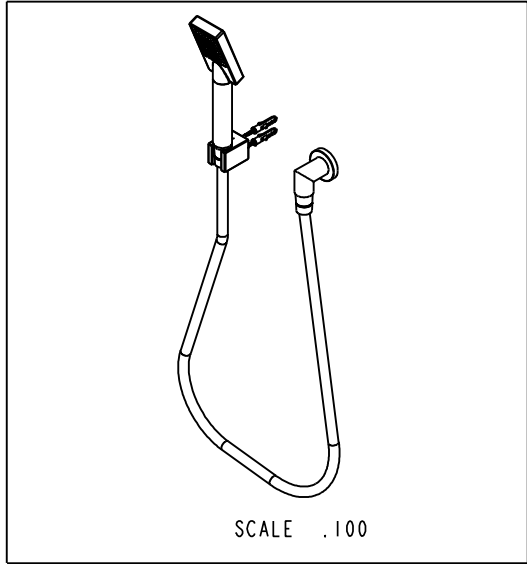
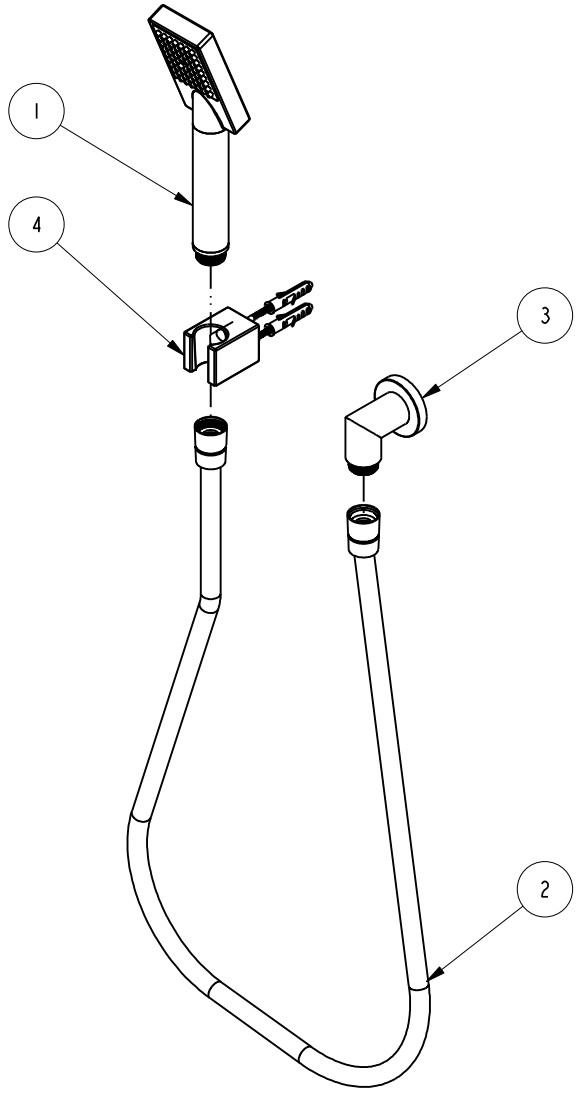


BILL OF MATERIAL (CURRENT LEVEL)				
ITEM	PT/ASSY	DESCRIPTION	TYPE	QTY.
1	283-4	HANDSPRAY ASSEMBLY	ASSEMBLY	1
2	284	59 IN. SPIRAL SHOWER HOSE	ASSEMBLY	1
3	285-5	SUPPLY ELBOW ASSEMBLY	ASSEMBLY	1
4	296-1	WALL SUPPLY ELBOW FOR HAND SHOWER HOSE	ASSEMBLY	1



COPYRIGHT 2005 BRASSTECH, INC. THESE DRAWINGS AND THE DESIGNS DEPICTED HEREIN ARE THE PROPRIETARY PROPERTY OF BRASSTECH. ANY USE OR REPRODUCTION IS SUBJECT TO THE EXPRESS APPROVAL OF BRASSTECH. UNAUTHORIZED USE IS STRICTLY PROHIBITED. ALL RIGHTS RESERVED.

BRASSTECH
INCORPORATED
2001 E. CARNEGIE AVE.
SANTA ANA, CA 92705
(949) 417-5207

SUPPLY ELBOW ASSEMBLY

ASSY. NO.		280J		A	EN-1735	06/10/11
SCALE 1.000		REF. -	SHEET 1 OF 2	-	EN-0995-3	01/31/11
				REV	REV DESC	DATE