

4

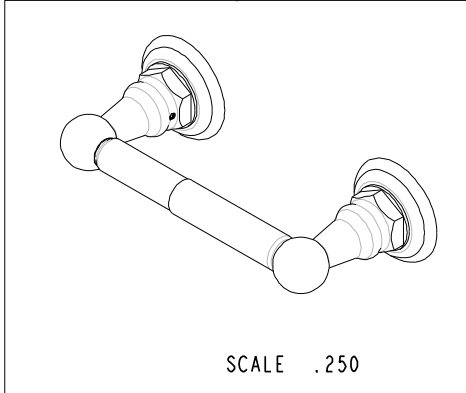
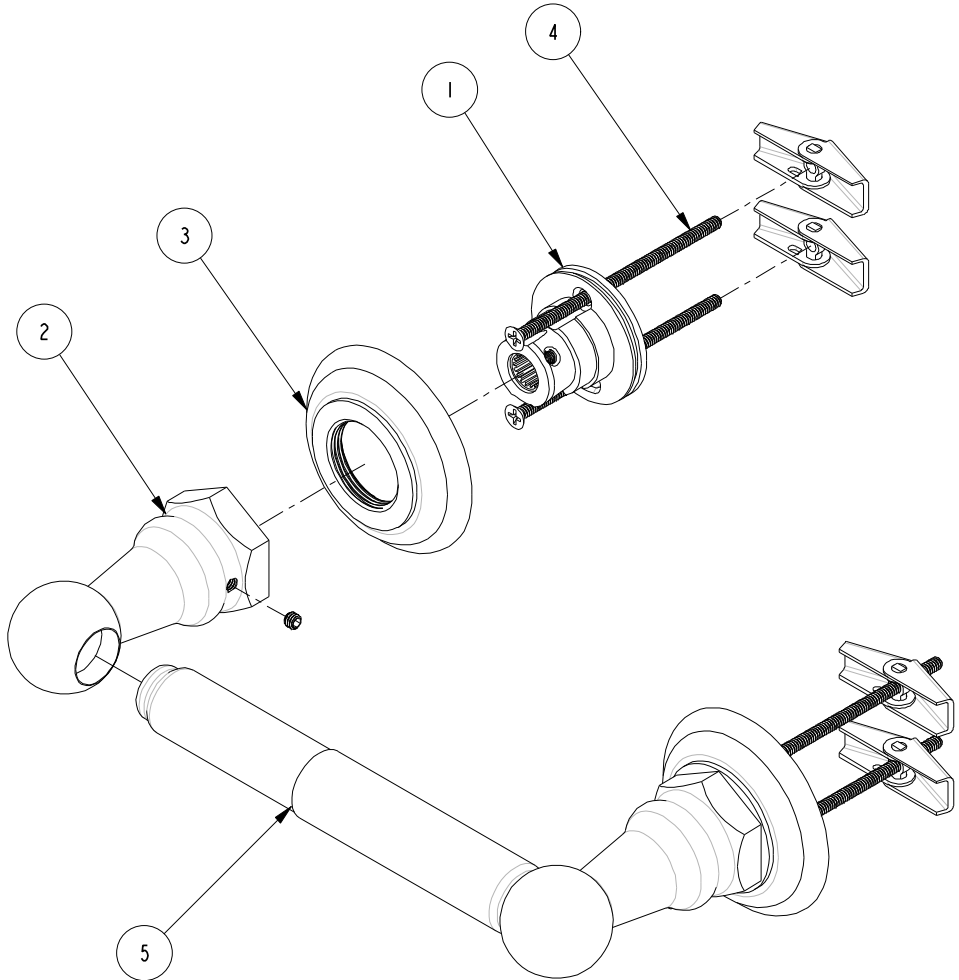
3

2

1

BILL OF MATERIAL (CURRENT LEVEL)

ITEM	PT/ASSY	DESCRIPTION	TYPE	QTY.
1	40333	ACCESSORY MTG BASE	PART	2
2	7-576	END POST ASSEMBLY	ASSEMBLY	2
3	10048	ESCUTCHEON W/S VALVE	PART	2
4	1-125	HARDWARE KIT	ASSEMBLY	2
5	2-184	TISSUE ROLLER ASSEMBLY	ASSEMBLY	1



COPYRIGHT 2005 BRASSTECH, INC. THESE DRAWINGS AND THE DESIGNS DEPICTED HEREIN ARE THE PROPRIETARY PROPERTY OF BRASSTECH. ANY USE OR REPRODUCTION IS SUBJECT TO THE EXPRESS APPROVAL OF BRASSTECH. UNAUTHORIZED USE IS STRICTLY PROHIBITED. ALL RIGHTS RESERVED.

BRASSTECH
 INCORPORATED
 2001 E. CARNEGIE AVE.
 SANTA ANA, CA 92705
 (949) 417-5207

TISSUE HOLDER

ASSY. NO. 13-28		B	EN-1241	11/26/09
SCALE .500		A	EO-0360	06/30/04
REF. -	SHEET 1 OF 2	-	RELEASED	04/04/03
		REV	REV DESC	DATE

4

3

2

1