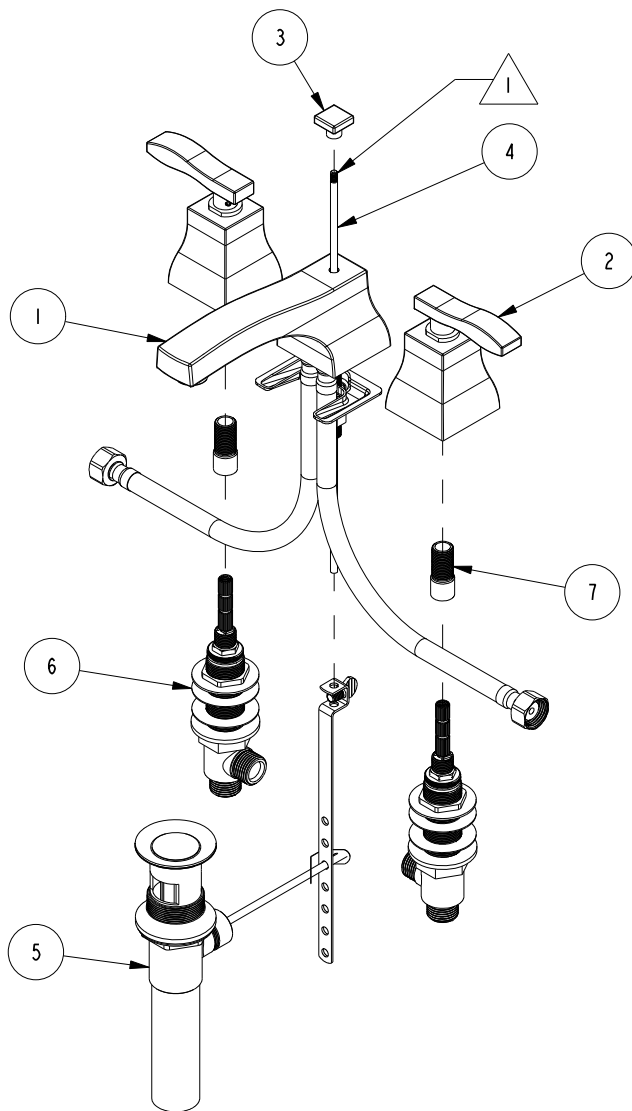


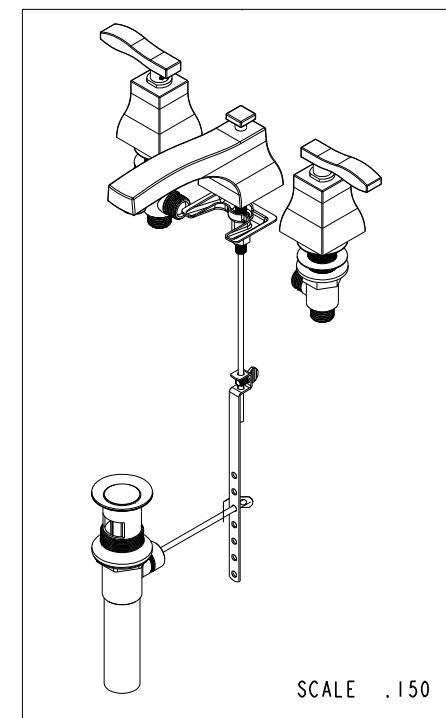
NOTES:

1 APPLY ADHESIVE LOCTITE 680 OR EQUIVALENT



BILL OF MATERIAL (CURRENT LEVEL)

ITEM	PT/ASSY	DESCRIPTION	TYPE	QTY.
1	3-352	W/S SPOUT ASM - 1040	ASSEMBLY	1
2	3-238	TRIM KIT - HANDLE / ESC	ASSEMBLY	2
3	10676	SQUARE POP UP KNOB	PART	1
4	10288	3/16" POP UP ROD	PART	1
5	325	POP UP ASSEMBLY	ASSEMBLY	1
6	1-592	W/S LONG STEM KIT	ASSEMBLY	1
7	10997	ALLTHRD COUPL 'G 1.5"	PART	2



COPYRIGHT 2005 BRASSTECH, INC. THESE DRAWINGS AND THE DESIGNS DEPICTED HEREIN ARE THE PROPRIETARY PROPERTY OF BRASSTECH. ANY USE OR REPRODUCTION IS SUBJECT TO THE EXPRESS APPROVAL OF BRASSTECH. UNAUTHORIZED USE IS STRICTLY PROHIBITED. ALL RIGHTS RESERVED.

BRASSTECH
INCORPORATED
2001 E. CARNEGIE AVE.
SANTA ANA, CA 92705
(949) 417-5207

W/S LAVATORY FAUCET

ASSY. NO.

1040

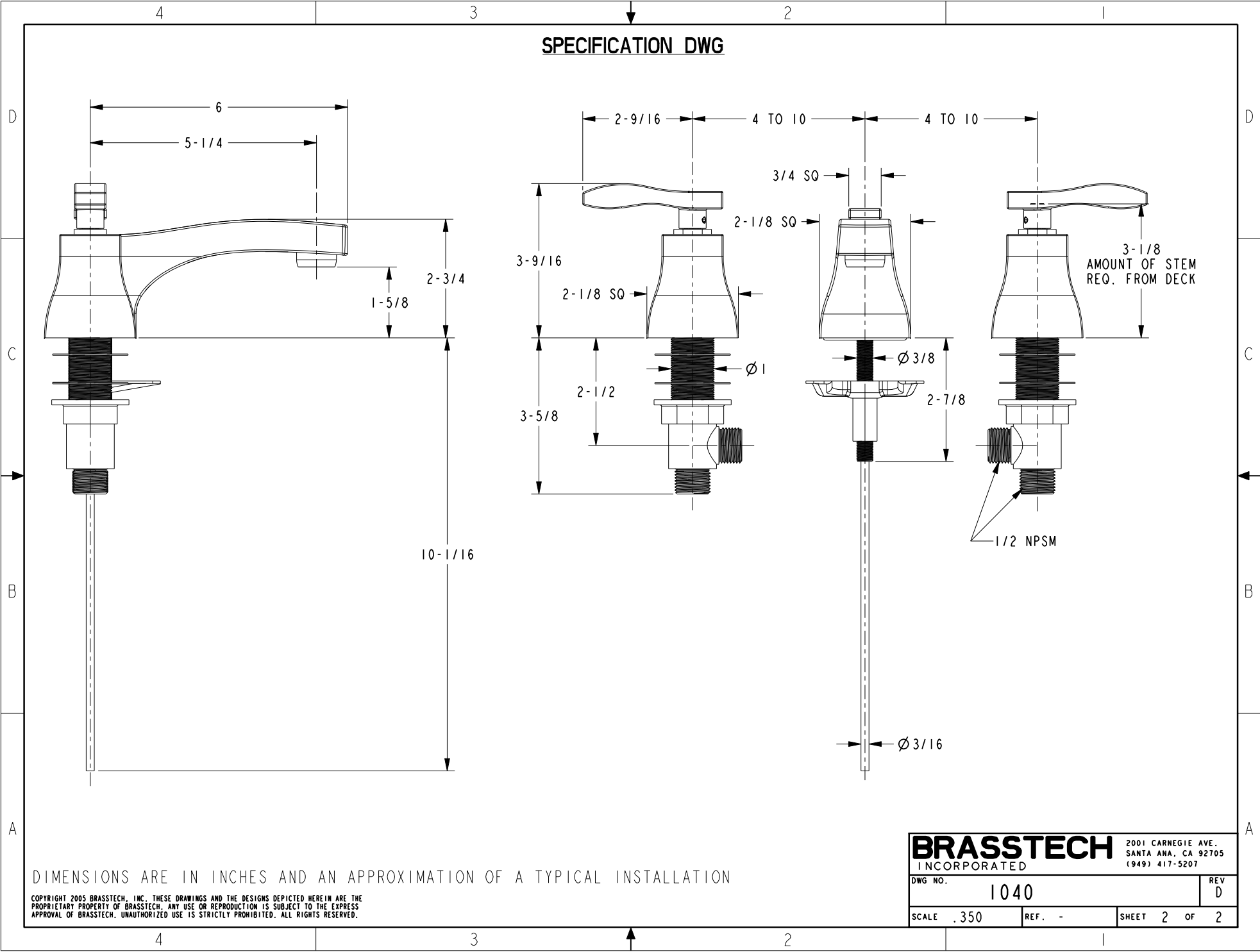
SCALE .200

REF. -

SHEET 1 OF 2

D	EN-2553	07/02/13
C	EN-1616	09/13/10
B	EO-1017	06/10/08
A	EO-0230	07/17/03
REV	REV DESC	DATE

SPECIFICATION DWG



DIMENSIONS ARE IN INCHES AND AN APPROXIMATION OF A TYPICAL INSTALLATION

COPYRIGHT 2005 BRASSTECH, INC. THESE DRAWINGS AND THE DESIGNS DEPICTED HEREIN ARE THE PROPRIETARY PROPERTY OF BRASSTECH. ANY USE OR REPRODUCTION IS SUBJECT TO THE EXPRESS APPROVAL OF BRASSTECH. UNAUTHORIZED USE IS STRICTLY PROHIBITED. ALL RIGHTS RESERVED.

BRASSTECH		2001 CARNEGIE AVE. SANTA ANA, CA 92705 (949) 417-5207
DWG NO.	1040	REV D
SCALE .350	REF. -	SHEET 2 OF 2