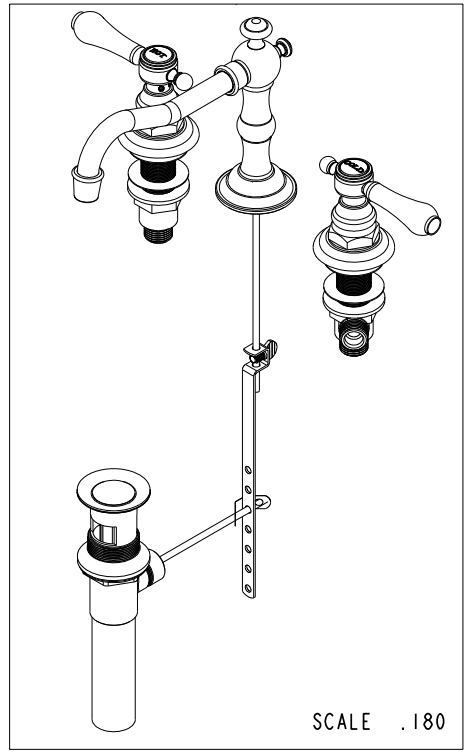


BILL OF MATERIAL (CURRENT LEVEL)

ITEM	PT/ASSY	DESCRIPTION	TYPE	QTY.
1	10048	ESCUTCHEON W/S VALVE	PART	2
2	10523	HEX ESCUTCHEON BONNET	PART	2
3	2-133	HANDLE ASSEMBLY - COLD	ASSEMBLY	1
4	2-134	HANDLE ASSEMBLY - HOT	ASSEMBLY	1
5	3-360	WIDE SPREAD SPOUT ONLY	ASSEMBLY	1
6	10288	3/16" POP UP ROD	PART	1
7	10289	POP-UP KNOB	PART	1
8	1-525	W/S VALVE INSTALLATION	ASSEMBLY	1
9	325	POP UP ASSEMBLY	ASSEMBLY	1
10	91231	O-RING, #2-136, EPDM, 65-75 DURO	PART	2



COPYRIGHT 2005 BRASSTECH, INC. THESE DRAWINGS AND THE DESIGNS DEPICTED HEREIN ARE THE PROPRIETARY PROPERTY OF BRASSTECH. ANY USE OR REPRODUCTION IS SUBJECT TO THE EXPRESS APPROVAL OF BRASSTECH. UNAUTHORIZED USE IS STRICTLY PROHIBITED. ALL RIGHTS RESERVED.

BRASSTECH
INCORPORATED
2001 E. CARNEGIE AVE.
SANTA ANA, CA 92705
(949) 417-5207

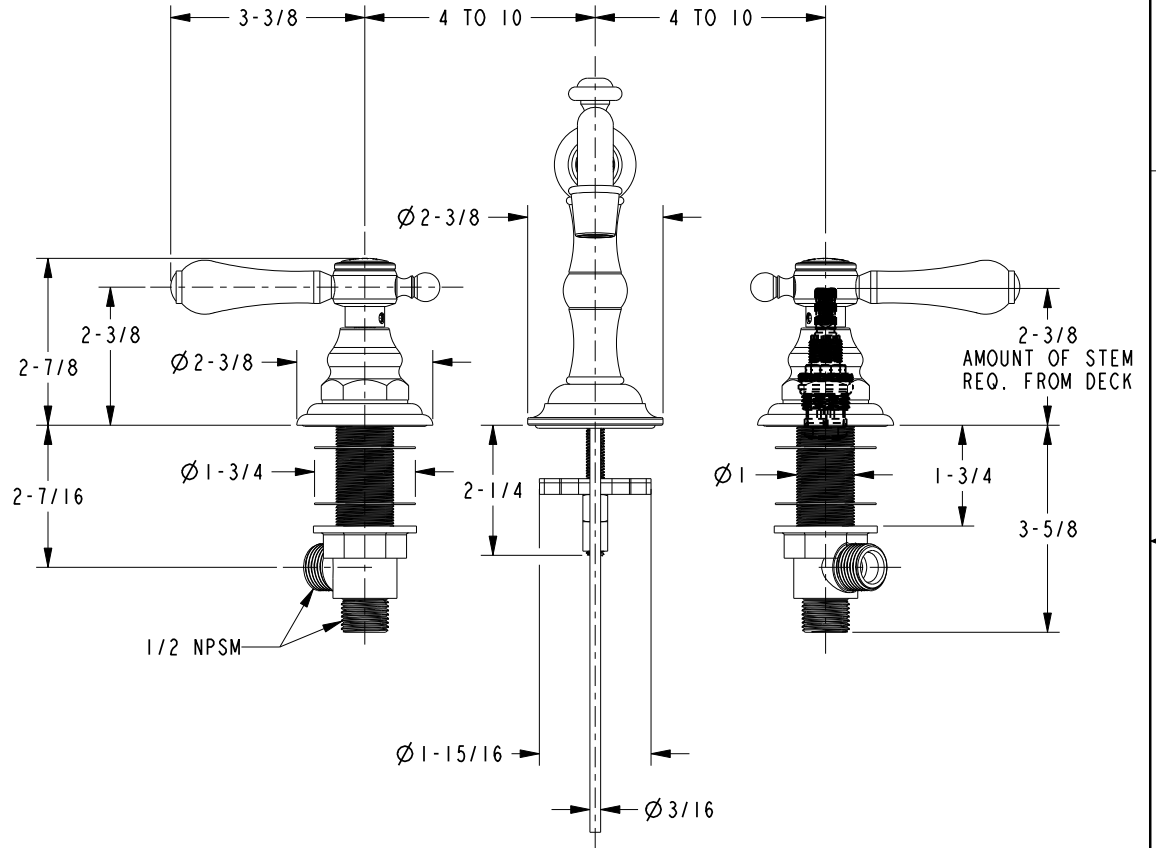
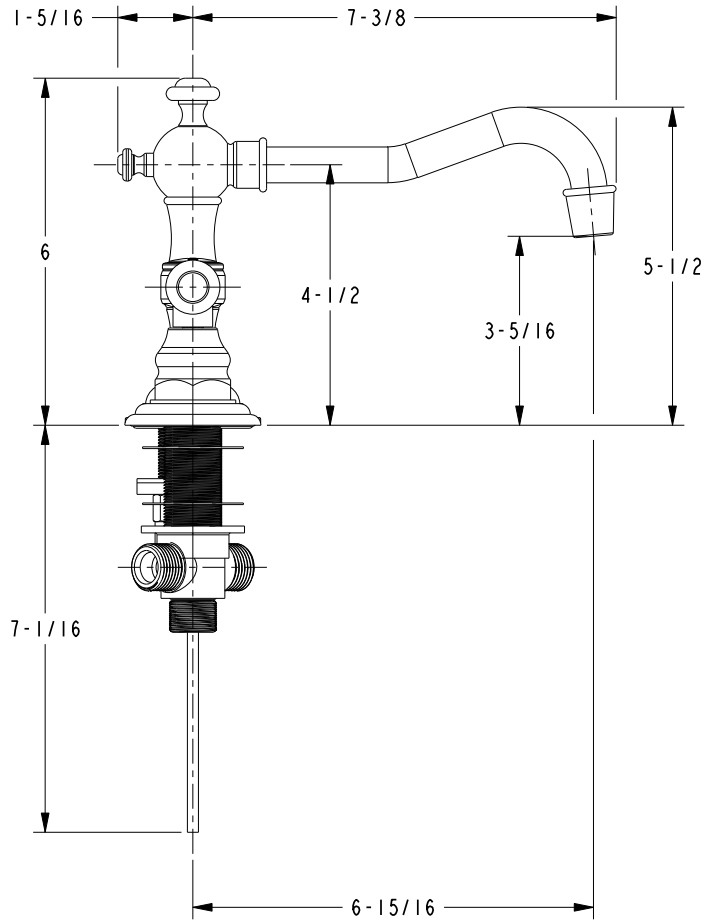
WIDESPREAD FAUCET SET

ASSY. NO.
1030

SCALE .230	REF. -	SHEET 1 OF 2	REV	REV DESC	DATE
------------	--------	--------------	-----	----------	------

D	EN-2334	12/19/12
C	EN-1616	09/13/10
B	EO-1051	07/28/08
A	EO-0148	01/29/03

SPECIFICATION DWG



DIMENSIONS ARE IN INCHES AND AN APPROXIMATION OF A TYPICAL INSTALLATION

COPYRIGHT 2005 BRASSTECH, INC. THESE DRAWINGS AND THE DESIGNS DEPICTED HEREIN ARE THE PROPRIETARY PROPERTY OF BRASSTECH. ANY USE OR REPRODUCTION IS SUBJECT TO THE EXPRESS APPROVAL OF BRASSTECH. UNAUTHORIZED USE IS STRICTLY PROHIBITED. ALL RIGHTS RESERVED.

BRASSTECH		2001 CARNEGIE AVE. SANTA ANA, CA 92705 (949) 417-5207	
DWG NO.	1030	REV	D
SCALE	.300	REF.	-
SHEET 2		OF 2	