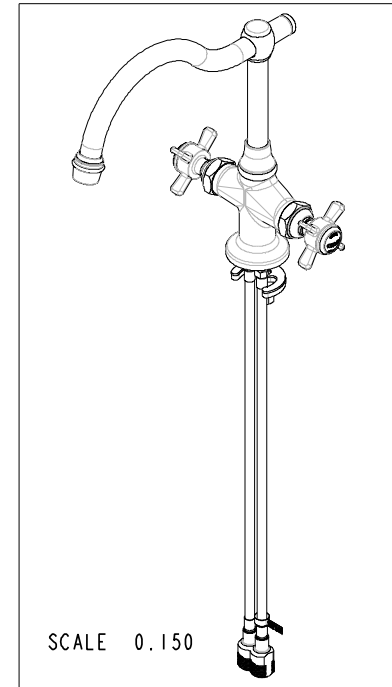
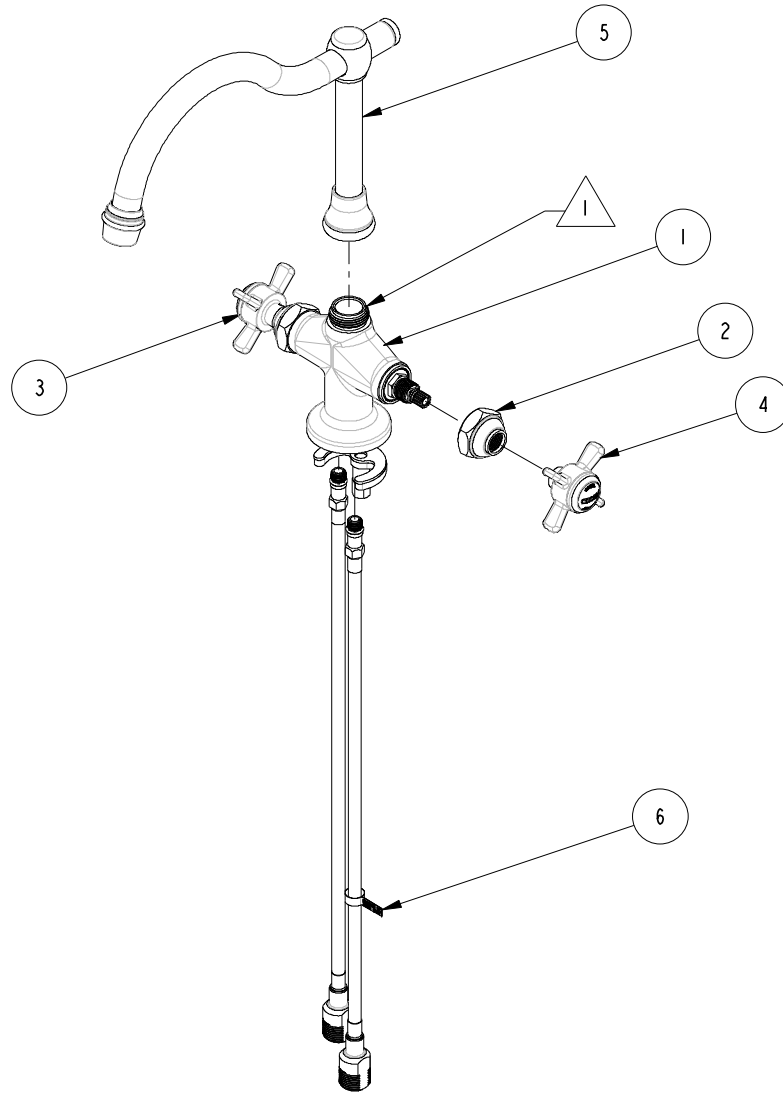


NOTES:

1 APPLY LOCTITE 680 OR EQUIVALENT.

**BILL OF MATERIAL (CURRENT LEVEL)**

ITEM	PT/ASSY	DESCRIPTION	TYPE	QTY.
1	2-239	SINGLE HOLE CROSS BAR ASSEMBLY	ASSEMBLY	1
2	10517	NUT - DOME HEX	PART	2
3	2-114	THIN BLADE X - HANDLE HOT	ASSEMBLY	1
4	2-115	THIN BLADE X - HANDLE COLD	ASSEMBLY	1
5	3-221	BAR SPOUT ASM - COMP	ASSEMBLY	1
6	98037	STICKER LABEL A112.18.1	PART	1



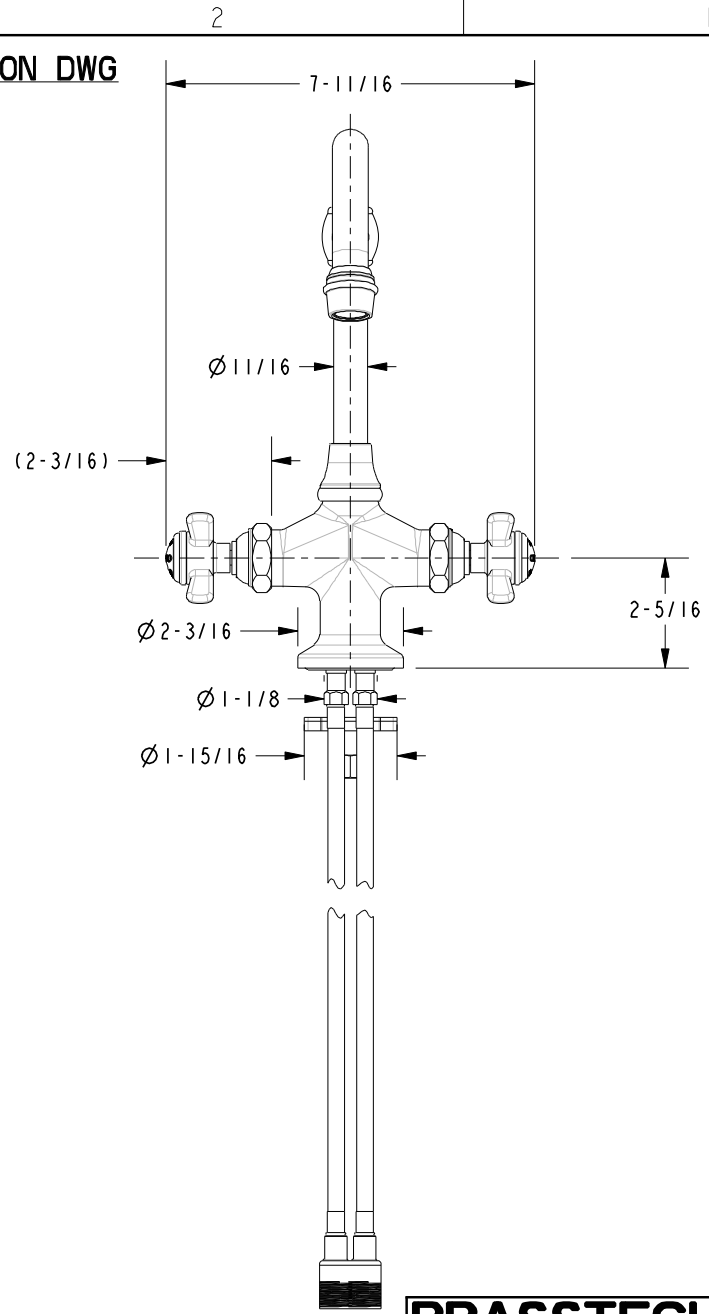
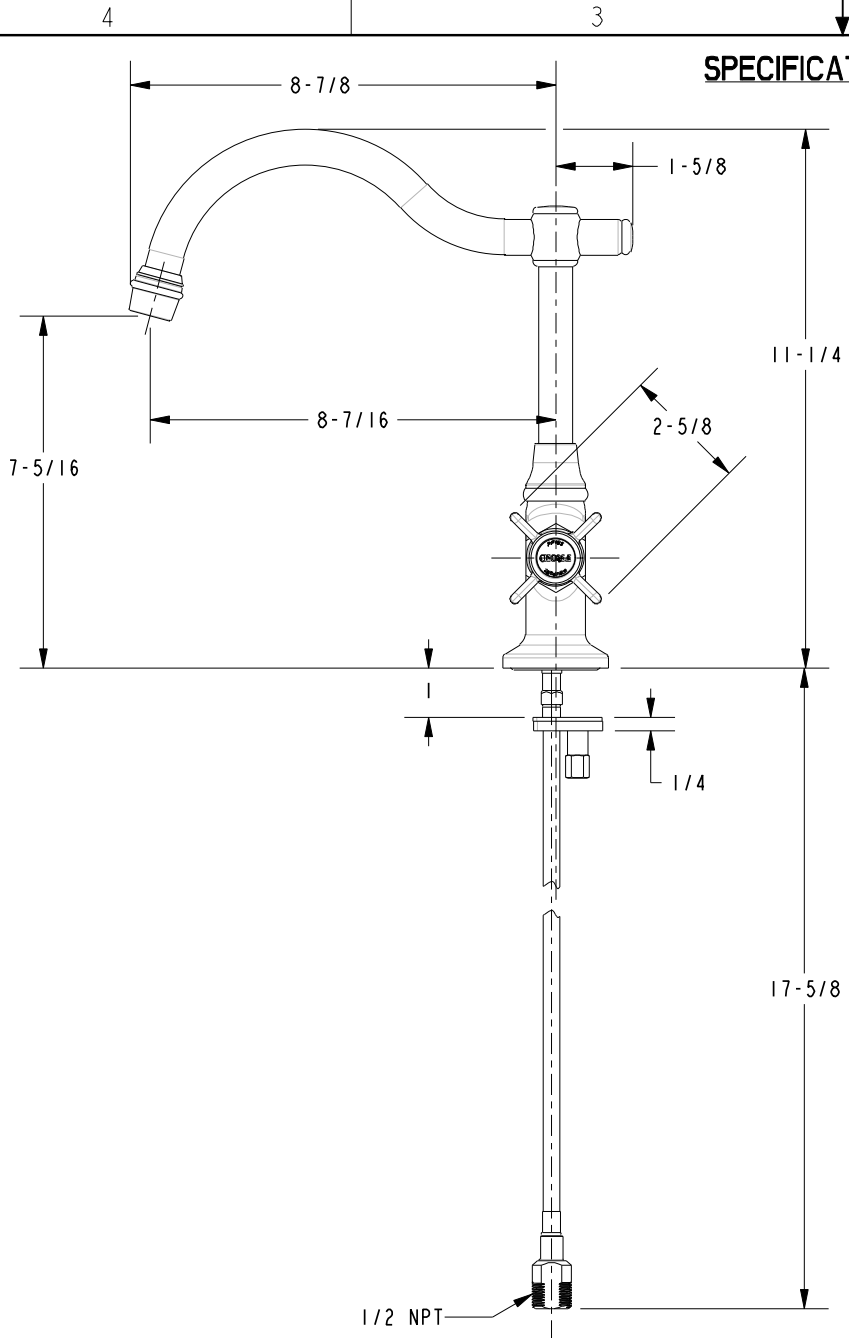
COPYRIGHT 2005 BRASSTECH, INC. THESE DRAWINGS AND THE DESIGNS DEPICTED HEREIN ARE THE PROPRIETARY PROPERTY OF BRASSTECH. ANY USE OR REPRODUCTION IS SUBJECT TO THE EXPRESS APPROVAL OF BRASSTECH. UNAUTHORIZED USE IS STRICTLY PROHIBITED. ALL RIGHTS RESERVED.

**BRASSTECH**  
INCORPORATED  
2001 E. CARNEGIE AVE.  
SANTA ANA, CA 92705  
(949) 417-5207

VICTORIAN BAR FAUCET

ASSY. NO.	1008	C	EO-1073	08/15/08
SCALE 0.200	REF. -	B	EO-0274	10/20/03
SHEET 1 OF 2	REV	REV	DESC	DATE

SPECIFICATION DWG



DIMENSIONS ARE IN INCHES AND AN APPROXIMATION OF A TYPICAL INSTALLATION

COPYRIGHT 2005 BRASSTECH, INC. THESE DRAWINGS AND THE DESIGNS DEPICTED HEREIN ARE THE PROPRIETARY PROPERTY OF BRASSTECH. ANY USE OR REPRODUCTION IS SUBJECT TO THE EXPRESS APPROVAL OF BRASSTECH. UNAUTHORIZED USE IS STRICTLY PROHIBITED. ALL RIGHTS RESERVED.

<b>BRASSTECH</b>		2001 E. CARNEGIE AVE. SANTA ANA, CA 92705 (949) 417-5207	
DWG NO.	1008	REV	C
SCALE	0.250	REF.	-
		SHEET	2 OF 2