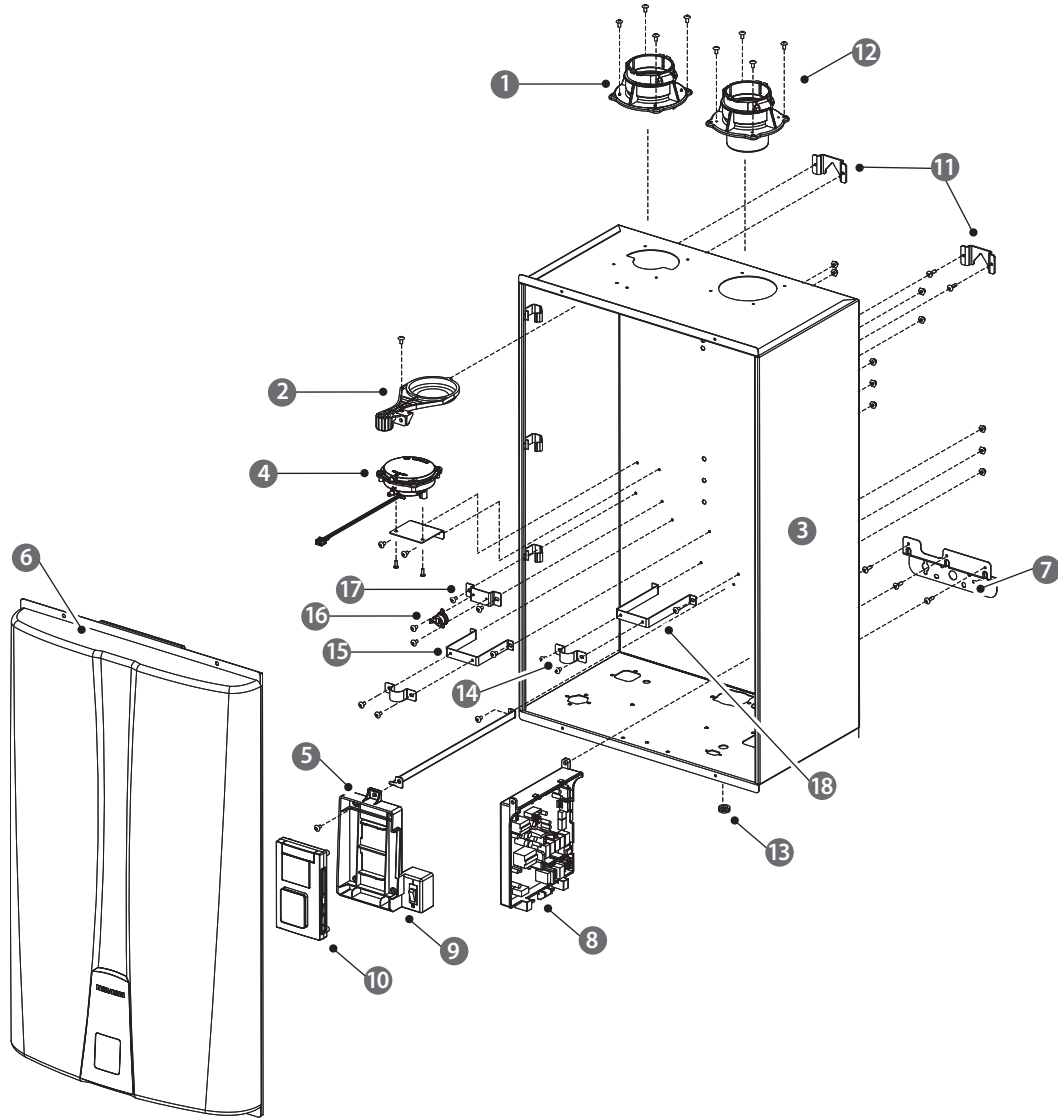


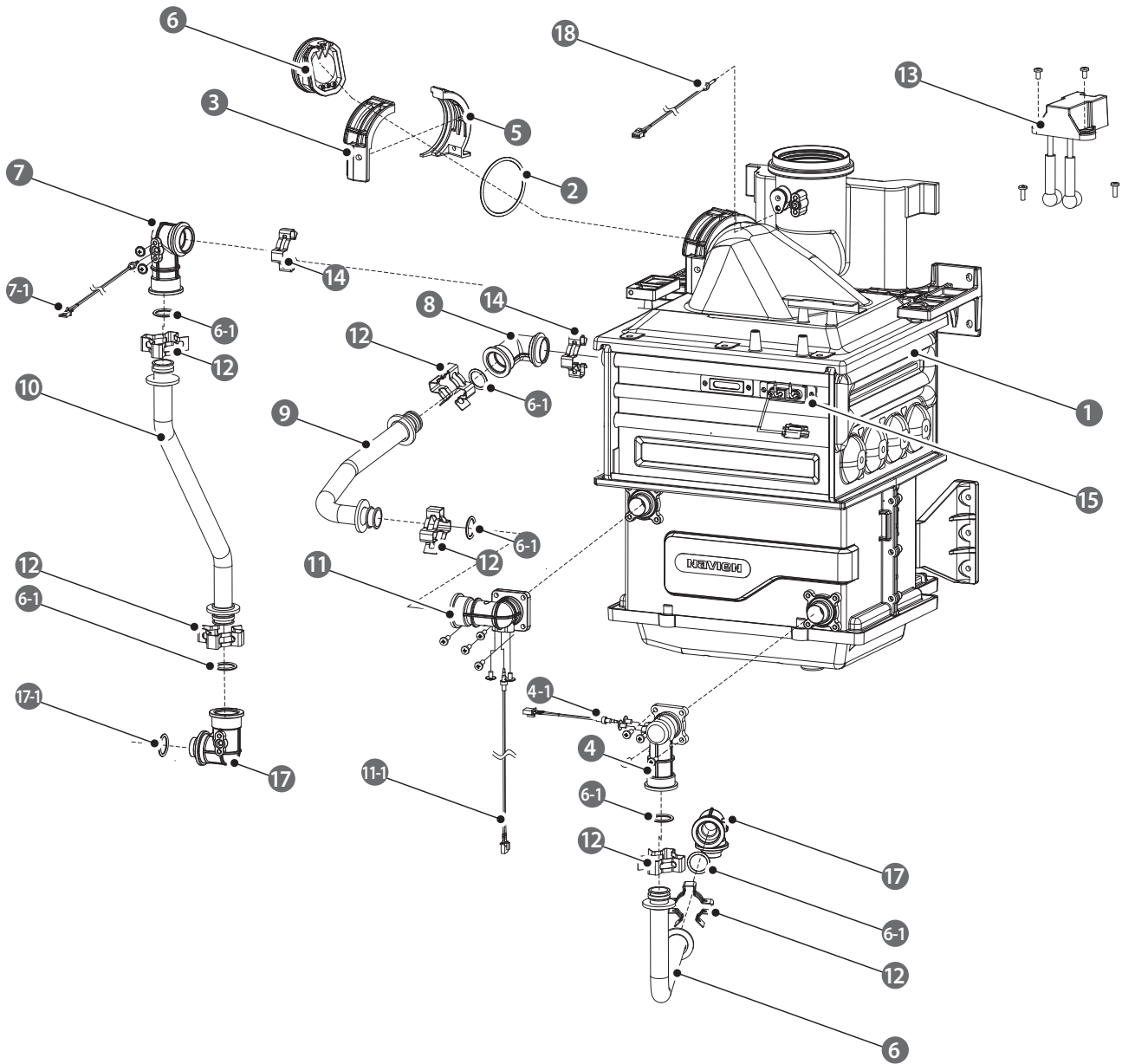
## 5.5 Component Assembly Diagrams and Parts Lists

### 5.5.1 Case Assembly



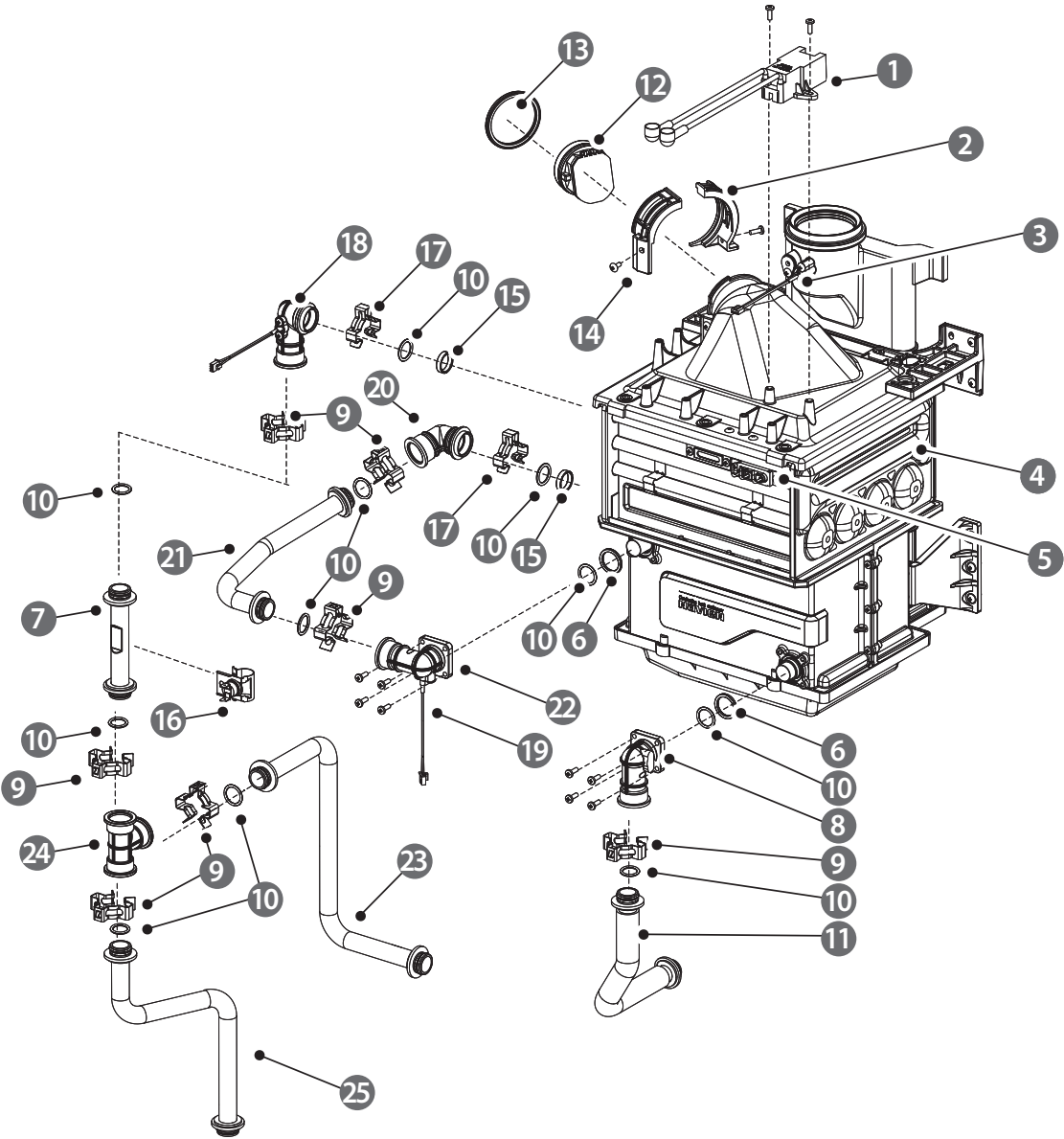
| #  | Description                     | Part #    | Remark             |
|----|---------------------------------|-----------|--------------------|
| 1  | Intake Air Duct Assembly        | 30008662A |                    |
| 2  | Intake Air Filter               | 30008745A |                    |
| 3  | Case                            | 20020393A | NPE-180A           |
|    |                                 | 20019078A | NPE-210A/240A      |
|    |                                 | 20026560A | NPE-180S           |
|    |                                 | 20026559A | NPE-210S/240S      |
| 4  | Air Pressure Sensor             | 30010346A |                    |
| 5  | Panel Bracket                   | 20018388A |                    |
| 6  | Cover                           | 30008678A | NPE-180A/210A/240A |
|    |                                 | 30011694A | NPE-180S/210S/240S |
| 7  | Case Lower Bracket              | 20007643B |                    |
| 8  | PCB                             | 30011969A |                    |
| 9  | Power Switch                    | 30009482A |                    |
| 10 | Front Panel                     | 30008333A |                    |
| 11 | Case Bracket                    | 20007609A |                    |
| 12 | Exhaust Pipe Assembly           | 30008673A |                    |
| 13 | Rubber Ring                     | 20006973A |                    |
| 14 | Saddle                          | 20013508A | NPE-180S/210S/240S |
| 15 | Saddle Bracket 1                | 20026170A | NPE-180S/210S/240S |
| 16 | Freeze Protector Sensor         | 30002587A | NPE-180S/210S/240S |
| 17 | Freeze Protector Sensor Bracket | 20007671A | NPE-180S/210S/240S |
| 18 | Saddle Bracket 2                | 20026172A | NPE-180S/210S/240S |

### 5.5.2 Burner Assembly(NPE-180A/ 210A/ 240A)



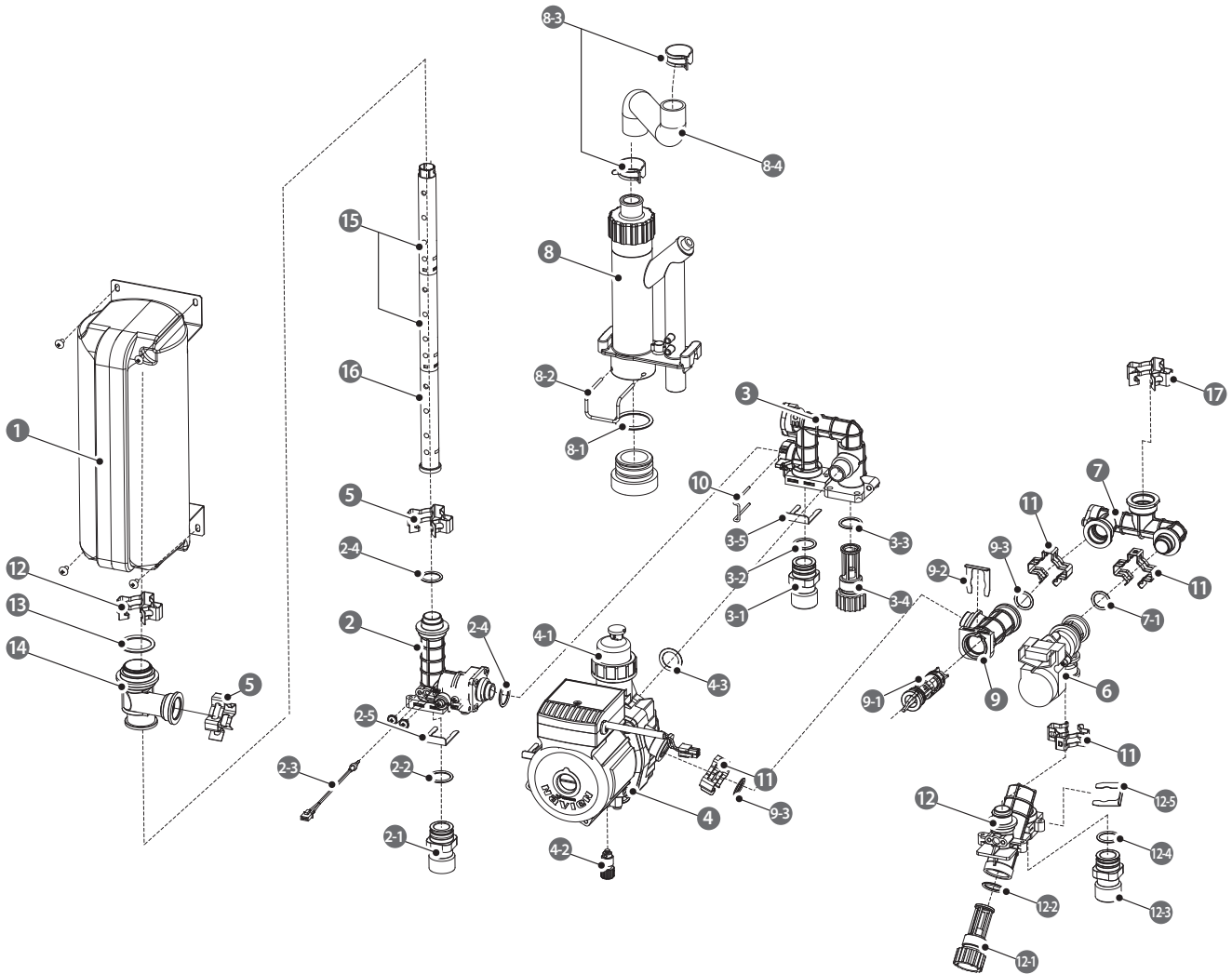
| #    | Description               | Part #    | Remark        |
|------|---------------------------|-----------|---------------|
| 1    | Heat Exchanger Assembly   | 30009189A | NPE-180A      |
|      |                           | 30010812A | NPE-210A      |
|      |                           | 30008780A | NPE-240A      |
| 2    | Fan O-Ring (G50)          | 20003019A |               |
| 3    | Fan Bracket(F)            | 20022095A |               |
| 4    | Flow Sensor Assembly      | 30008571A |               |
| 4-1  | Thermistor                | 30008366A |               |
| 5    | Fan Braket(R)             | 20022096A |               |
| 6    | Cold Inlet Pipe           | 30009166A | NPE-180A      |
|      |                           | 30010805A | NPE-210A      |
|      |                           | 30008446A | NPE-240A      |
| 6-1  | O-Ring (Φ17.5x2.7t)       | 20006947A |               |
| 7    | WPA-A (Clip)              | 20018344A |               |
| 7-1  | Thermistor                | 30008366A |               |
| 8    | WPA-B                     | 20018343A |               |
| 9    | H-Ex Middle Pipe          | 30009126A | NPE-180A      |
|      |                           | 30010803A | NPE-210A      |
|      |                           | 30008439A | NPE-240A      |
| 10   | Hot Water Outlet Pipe     | 30009145A | NPE-180A      |
|      |                           | 30008442A | NPE-210A/240A |
| 11   | WPA-A (Screw)             | 30008569A |               |
| 11-1 | Thermistor                | 30008366A |               |
| 12   | Fastner                   | 20017726A |               |
| 13   | Ignition Transformer      | 30010455A |               |
| 14   | Fastner                   | 20007853A |               |
| 15   | Ignitor                   | 30008591A |               |
| 16   | Damper                    | 30008825A |               |
| 17   | Buffer Tank Inlet Adapter | 20018346A |               |
| 17-1 | O-Ring(P16)               | 20017210A |               |
| 18   | Thermistor                | 30009478A |               |

5.5.3 Burner Assembly(NPE-180S/ 210S/ 240S)



| #  | Description                | Part #    | Remark        |
|----|----------------------------|-----------|---------------|
| 1  | Ignition Transformer       | 30010455A |               |
| 2  | Fan Bracket (R )           | 20022096A |               |
| 3  | Thermistor                 | 30009478A | Exhaust       |
| 4  | Heat Exchanger Assembly    | 30011706A | NPE-180S      |
|    |                            | 30011705A | NPE-210S      |
|    |                            | 30011704A | NPE-240S      |
| 5  | Ignitor                    | 30008591A |               |
| 6  | Packing (Φ26.5x2.4t)       | 20006868A |               |
| 7  | Heat Exchanger Outlet Pipe | 30011519A | NPE-180S      |
|    |                            | 30011515A | NPE-210S/240S |
| 8  | WPA-C (Screw)              | 20026780A |               |
| 9  | Fastner                    | 20017726A |               |
| 10 | O-Ring (Φ17.5x2.7t)        | 20006947A |               |
| 11 | Cold Inlet Pipe            | 30011521A | NPE-180S      |
|    |                            | 30011665A | NPE-210S      |
|    |                            | 30011517A | NPE-240S      |
| 12 | Fan Damper                 | 30008825A |               |
| 13 | Fan Packing                | 20022744A |               |
| 14 | Fan Bracket (F)            | 20022095A |               |
| 15 | Backup Ring                | 20018744B |               |
| 16 | High Limit Switch          | 30002577A |               |
| 17 | Fastner                    | 20007853A |               |
| 18 | WPA-A (Clip)               | 20018344A |               |
| 19 | Thermistor                 | 30008366A | Water         |
| 20 | WPA-B                      | 20018343A |               |
| 21 | H-Ex Middle Pipe           | 30009126A | NPE-180S/180A |
|    |                            | 30010803A | NPE-210S/210A |
|    |                            | 30008439A | NPE-240S/240A |
| 22 | WPA-A (Screw)              | 30008569A |               |
| 23 | Mixing Pipe                | 30011518A | NPE-180S      |
|    |                            | 30011514A | NPE-210S/240S |
| 24 | WPA-T                      | 20025960A |               |
| 25 | Hot Water Outlet Pipe      | 30011520A | NPE-180S      |
|    |                            | 30011516A | NPE-210S/240S |

### 5.5.4 Waterway Assembly(NPE-180A/210A/240A)

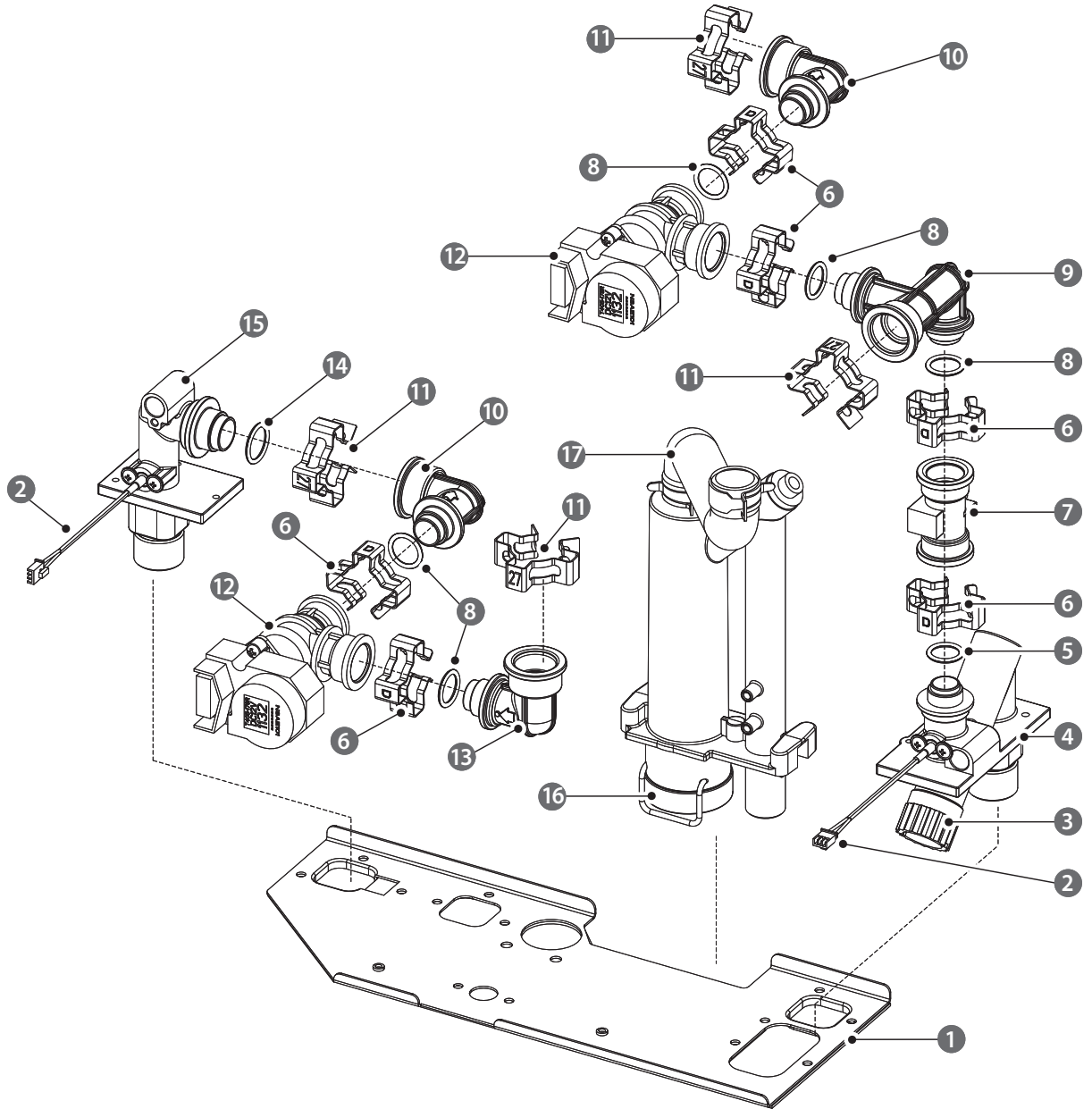


| #   | Description                    | Part #    | Remark |
|-----|--------------------------------|-----------|--------|
| 1   | Buffer Tank                    | 30010953A |        |
| 2   | Hot Water Outlet Pipe Assembly | 30008338A |        |
| 2-1 | Pipe Adapter                   | 30008349A |        |
| 2-2 | O-RING (P20)                   | 20017212A |        |
| 2-3 | Thermistor (Red)               | 30008366A |        |
| 2-4 | O-RING (P16)                   | 20017210A |        |
| 2-5 | Pipe Clip                      | 20007733A |        |
| 3   | Return Pipe Assembly           | 30008350A |        |
| 3-1 | Pipe adapter                   | 30008349A |        |

| #    | Description                    | Part #    | Remark |
|------|--------------------------------|-----------|--------|
| 3-2  | O-RING (P20)                   | 20017212A |        |
| 3-3  | O-RING (P19)                   | 20017211A |        |
| 3-4  | Water Filter                   | 30008351A |        |
| 3-5  | Pipe Clip                      | 20007733A |        |
| 4    | Circulation Pump               | 30010346A |        |
| 4-1  | Pump Air Separator             | 30006831A |        |
| 4-2  | Drain Plug                     | 30003550B |        |
| 4-3  | O-RING (P18)                   | 20006947A |        |
| 5    | Fastner                        | 20017726A |        |
| 6    | Water adjustment valve (WAV)   | 30008245A |        |
| 7    | WAV Outlet Pipe Assembly       | 30008624A |        |
| 7-1  | O-Ring (P16)                   | 20011438A |        |
| 8    | Syphon                         | 30009756A |        |
| 8-1  | O-Ring (Φ31.7x3.5t)            | 20018013A |        |
| 8-2  | Syphon Clip                    | 20018155A |        |
| 8-3  | Hose Clip                      | 20007833A |        |
| 8-4  | Syphon Hose                    | 20018429A |        |
| 9    | Pump Outlet Pipe Assembly      | 30008361A |        |
| 9-1  | Check Valve                    | 30008360A |        |
| 9-2  | Pipe Clip                      | 20017722A |        |
| 9-3  | O-Ring (P16)                   | 20017210A |        |
| 10   | Return Pipe clip               | 20017767A |        |
| 11   | Fastner                        | 20007859A |        |
| 12   | Cold Water Inlet Pipe Assembly | 30009437A |        |
| 12-1 | Water Filter                   | 30008351A |        |
| 12-2 | O-RING (P19)                   | 20017211A |        |
| 12-3 | Pipe adapter                   | 30008349A |        |
| 12-4 | O-RING (P20)                   | 20017212A |        |
| 12-5 | Pipe Clip                      | 20007733A |        |
| 13   | O-RING (P29)                   | 20017923A |        |
| 14   | Buffer Tank adapter            | 20017757A |        |
| 15   | Buffer tank pipe A             | 20017759A |        |
| 16   | Buffer tank pipe B             | 20017760A |        |
| 17   | Fastner                        | 20017724A |        |

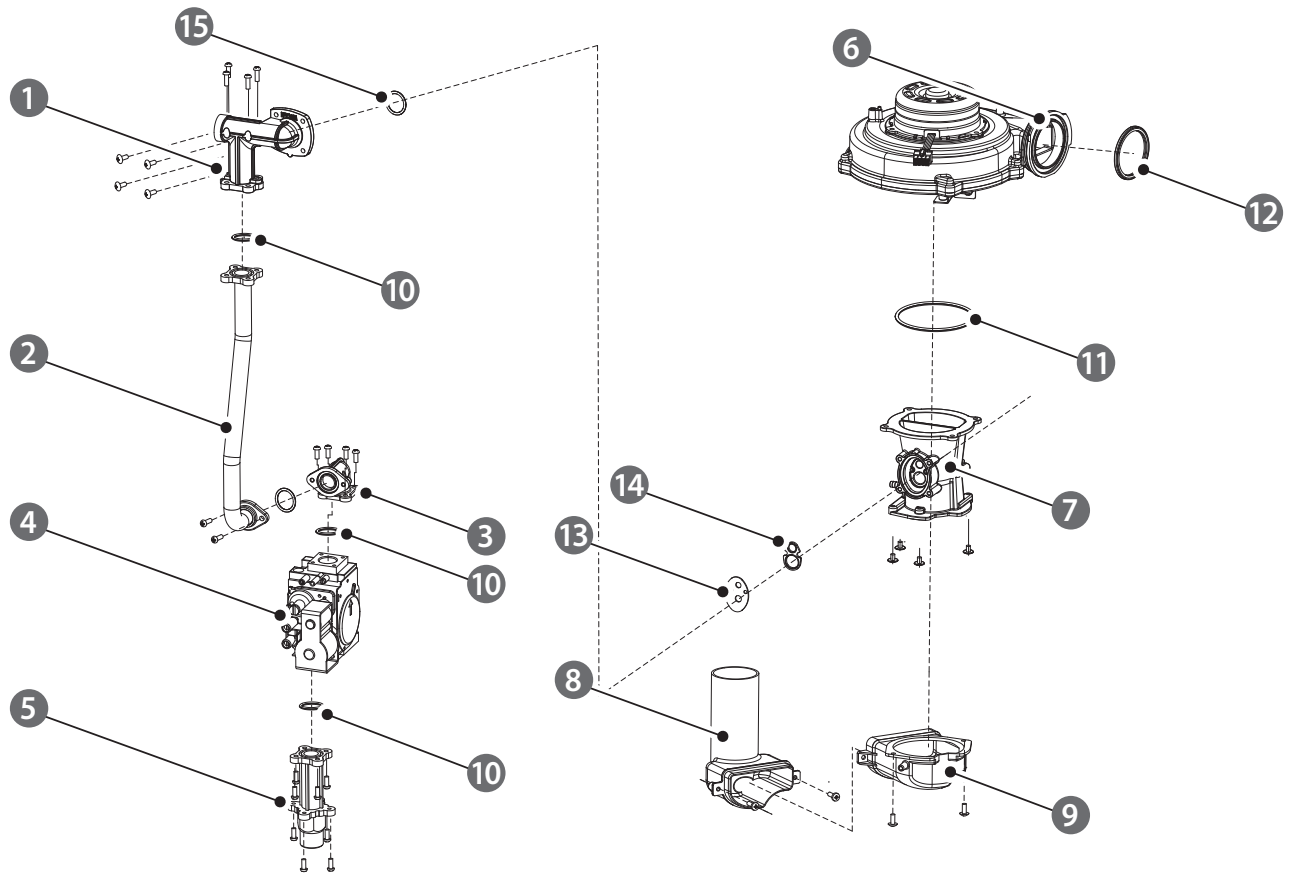


### 5.5.5 Waterway Assembly(NPE-180S/ 210S/ 240S)



| #  | Description                  | Part #    | Remark |
|----|------------------------------|-----------|--------|
| 1  | Bracket                      | 20026489A |        |
| 2  | Thermistor                   | 30008366A |        |
| 3  | Water Filter                 | 30008351A |        |
| 4  | Cold Water Inlet Adapter     | 30011597A |        |
| 5  | O-Ring (P15)                 | 20017217A |        |
| 6  | Fastner                      | 20007859A |        |
| 7  | Flow Sensor                  | 30011534A |        |
| 8  | O-Ring (P16)                 | 20017210A |        |
| 9  | Flow Sensor Outlet Adapter   | 20025959A |        |
| 10 | Outlet Adapter               | 20025961A |        |
| 11 | Fastner                      | 20017726A |        |
| 12 | Water Adjustment Valve (WAV) | 30011532A |        |
| 13 | Inlet Adapter                | 20025962A |        |
| 14 | O-Ring (P18)                 | 20006947A |        |
| 15 | How Water Outlet Adapter     | 30011601A |        |
| 16 | Siphon                       | 30009756A |        |
| 17 | Siphon Hose                  | 20018429A |        |

### 5.5.6 Fan(Gas) Assembly



| #  | Description       | Part #    | Remark                       |
|----|-------------------|-----------|------------------------------|
| 1  | Gas Adapter       | 30008431A |                              |
| 2  | Gas Pipe          | 30009211A | NPE-180S/180A                |
|    |                   | 20018431A | NPE-210S/210A/240S/240A      |
| 3  | Gas Connector     | 20018430A |                              |
| 4  | Gas Valve         | 30008429A |                              |
| 5  | Gas Inlet Adapter | 30008382A |                              |
| 6  | Fan Assembly      | 30008834A |                              |
| 7  | Dual Venturi      | 30009219A | NPE-180S/180A                |
|    |                   | 30008909A | NPE-210S/210A/240S/240A      |
| 8  | Silence           | 20019142A | NPE-180S/180A                |
|    |                   | 20023829A | NPE-210S/210A/240S/240A      |
| 9  | Silence Adapter   | 20023861A | NPE-180S/180A                |
|    |                   | 20019141A | NPE-210S/210A/240S/240A      |
| 10 | O-Ring (P20)      | 20006934A |                              |
| 11 | O-Ring (G75)      | 20018079A |                              |
| 12 | Fan Packing       | 20022744A |                              |
| 13 | Gas Orifice       | 20024159A | NPE-180S/180A (LN)           |
|    |                   | 20024190A | NPE-210S/210A/240S/240A (LN) |
|    |                   | 20019144A | NPE-180S/180A (LP)           |
|    |                   | 20024189A | NPE-210S/210A/240S/240A (LP) |
| 14 | Venturi packing   | 20022660A |                              |
| 15 | O-Ring (P34)      | 20019090A |                              |