

Product

Product Class Gas Boiler

Product NFB

Group Name CASE module

Serial No.



ZOOM: 100%

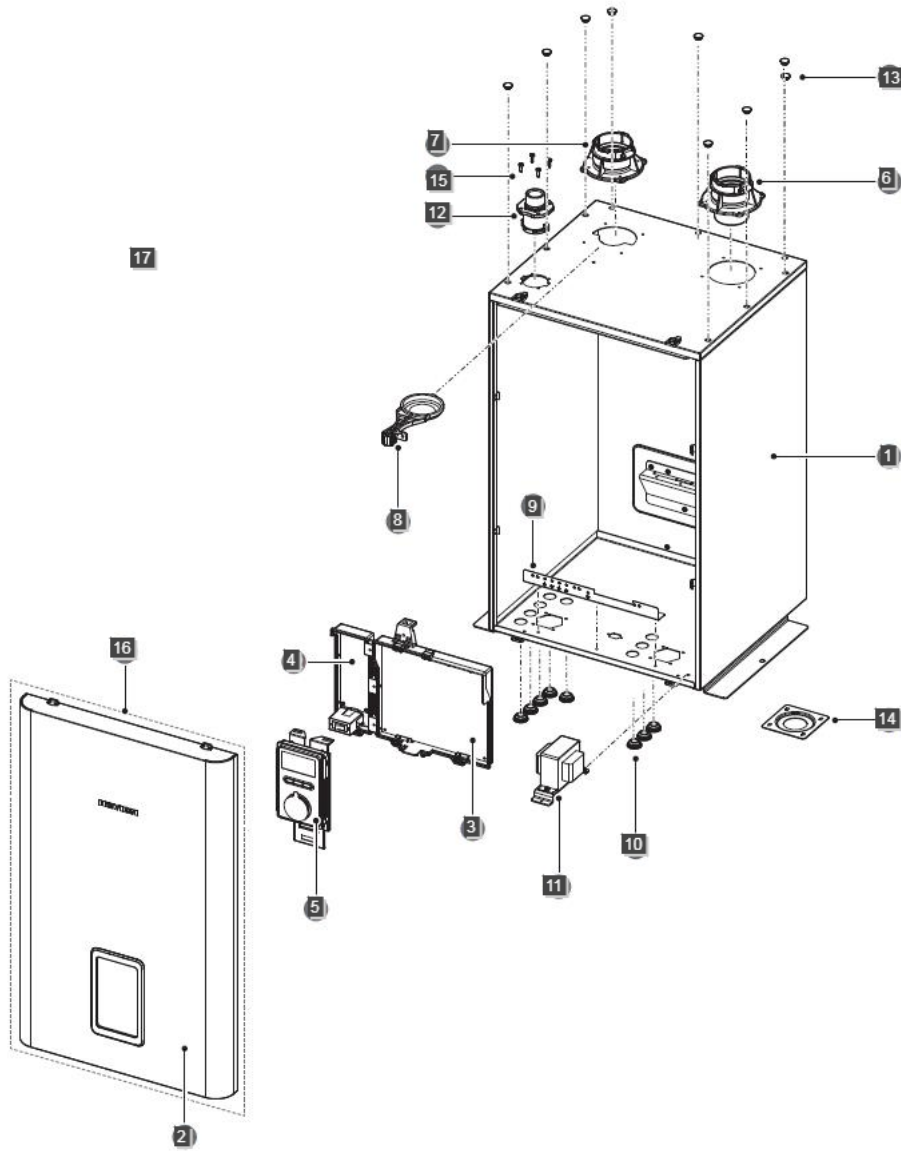


- CC-A(CA,US)
- CC-NON A(CA,US)
- CH(CA,US)
- CR-A(CA,US)
- CR-NON A(CA,US)
- HEATING BOX (CLOSE)
- HEATING BOX (OPEN)
- NCB(CA,US)
- NCB-E
- NFB
 - CASE module
 - COMBUSTION PARTS ASSEM
 - Heat Exchanger Module
 - HEAT EXCHANGER AND WA
 - COMBUSTION module
 - COMBUSTION PARTS ASSEM
- NFC
- NHB - 055/080/110/15
- NP-A(CA,US)
- NPE-A TYPE(CA,US)
- NPE-S TYPE(CA,US)
- NP-NON A(CA,US)
- NR (CA,US)
- NR-A(CA,US)

FIG No 20

Name COMBUSTION PARTS ASSEMBLY Product

Page Name



No.	Part Name	NOTE
1	Base;painting,외장베이스,상,NFB-200	
1	Base;painting,외장베이스,중,NFB-200K	
1	Base;painting,외장베이스,하,NFB-200K	
2	Front Cover ass'y;ass'y,NFB-200	
3	PCB B/D(MAIN) NFB-175/200	
4	PCB B/D(120V OUT) NFB-175/200	
5	FRONT PANEL, NFB-175/200	
6	PP EXHAUST PIPE ASS'Y NPE	
7	INTAKE AIR DUCT ASS'Y NPE, NCB	
8	INTAKE AIR FILTER ALL	
9	Bracket,컨트롤러,하부,NFB-200	
10	Ring;EPDM,NHB-전모델,25.8×10,검정색	
11	TRANSFORMER(120VAC TO 24VAC)	
12	ADAPTER;AIRVENT,C3771BE,NFB-200	
13	Packing;외장베이스 상 실리콘 링세 NFB-200	

14	Bracket,pressing,응축수받이아답터,NFB-200
----	-----------------------------------



Product

Product Class **Gas Boiler**

Product **NFB**

Group Name **COMBUSTION module**

Serial No.



ZOOM: 100% ▾

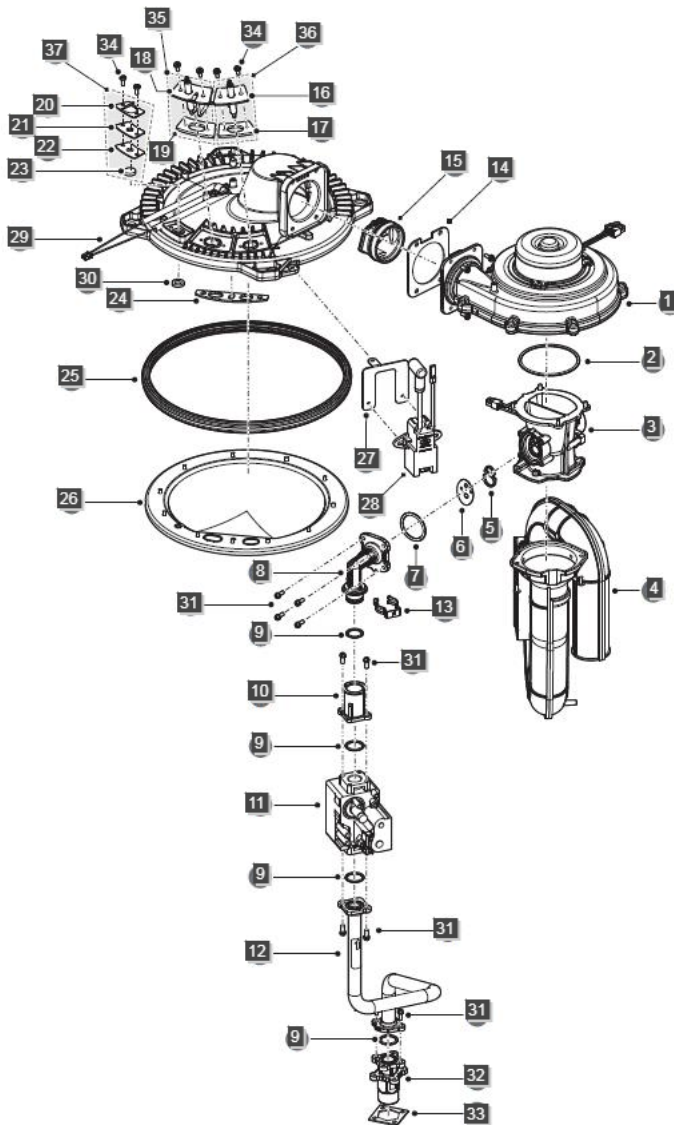


- [-] CC-A(CA,US)
- [-] CC-NON A(CA,US)
- [-] CH(CA,US)
- [-] CR-A(CA,US)
- [-] CR-NON A(CA,US)
- [-] HEATING BOX (CLOSE)
- [-] HEATING BOX (OPEN)
- [-] NCB(CA,US)
- [-] NCB-E
- [-] NFB
 - [-] CASE module
 - [-] COMBUSTION PARTS ASSEM
 - [-] Heat Exchanger Module
 - [-] HEAT EXCHANGER AND WA
 - [-] COMBUSTION module
 - [-] COMBUSTION PARTS ASSEM
- [-] NFC
- [-] NHB - 055/080/110/15
- [-] NP-A(CA,US)
- [-] NPE-A TYPE(CA,US)
- [-] NPE-S TYPE(CA,US)
- [-] NP-NON A(CA,US)
- [-] NR (CA,US)
- [-] NR-A(CA,US)

FIG No 20

Name **COMBUSTION PARTS ASSEMBLY** Product

Page Name



No.	Part Name	NOTE
1	PremixBlower;NFB175K,미국향,듀얼벤츄리	
1	PremixBlower;NFB-200,미국향, 듀얼벤츄리	
2	O-RING SILICON Ø74.4×3.1 RE	
3	DUAL VENTURI	
4	INTAKE PIPE NFB,NFC-175/200	
5	PACKING NOZZLE EPDM	
6	ORIFICE;NOZZLE,STS430,NFC-200,LNG	
6	ORIFICE; NOZZLE, STS430, NFB-175 LNG	
6	Orifice;Nozzle,STS430,NFB-200K,LPG	
6	Orifice;Nozzle,STS430,NFB-175K,LPG	
6	Orifice;노즐,STS430,NFB-200(H),LNG	
6	Orifice;노즐,STS430,NFB-175(H),LNG	
7	O-RING NBR Ø33.7×3.5	
8	GAS V/V OUTLET ADP(UPPER), NFB	
9	O-RING NBR Ø19.8×2.4T	

10	GAS V/V OUTLET ADP(UPPER), NFB
----	--------------------------------



Product

Product Class **Gas Boiler**

Product **NFB**

Group Name **Heat Exchanger Module**

Serial No.



ZOOM: 100%

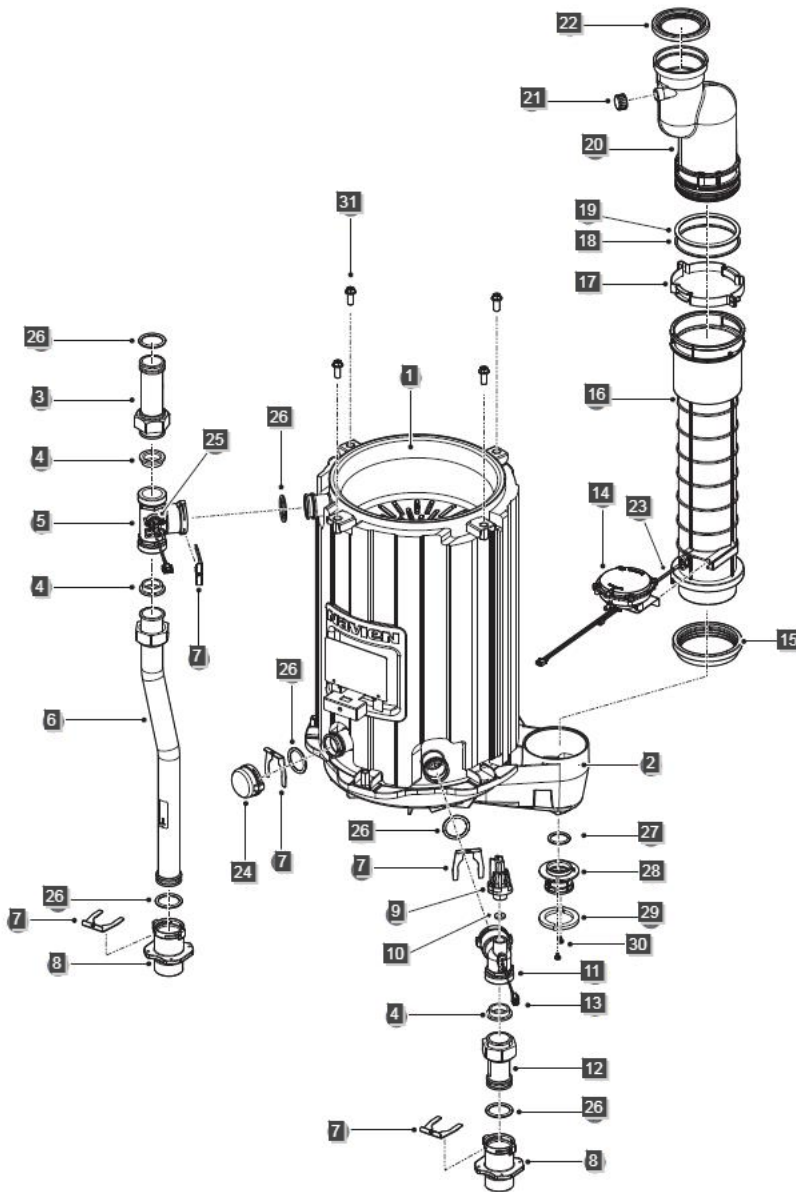
- [-] CC-A(CA,US)
- [-] CC-NON A(CA,US)
- [-] CH(CA,US)
- [-] CR-A(CA,US)
- [-] CR-NON A(CA,US)
- [-] HEATING BOX (CLOSE)
- [-] HEATING BOX (OPEN)
- [-] NCB(CA,US)
- [-] NCB-E
- [-] NFB
 - [-] CASE module
 - [-] COMBUSTION PARTS ASSEM
 - [-] Heat Exchanger Module
 - [-] HEAT EXCHANGER AND WA
 - [-] COMBUSTION module
 - [-] COMBUSTION PARTS ASSEM
- [-] NFC
- [-] NHB - 055/080/110/15
- [-] NP-A(CA,US)
- [-] NPE-A TYPE(CA,US)
- [-] NPE-S TYPE(CA,US)
- [-] NP-NON A(CA,US)
- [-] NR (CA,US)
- [-] NR-A(CA,US)

FIG No 20

Name **HEAT EXCHANGER AND WATERWAY ASSEMBLY**

Product

Page Name



No.	Part Name	NOTE
1	Tank(H/E);STS 관체,welding,NFB-200K	
1	Tank(H/E);STS 관체,welding,NFB-175K	
2	DRAIN PAN ASS'Y NFB-175/200	
3	AIRVENT OUTLET PIPE	
4	PACKING EPDM 37 X 30 X 3	
5	H/E INLET T-ADP NFB,NFC	
6	S.H SUPPLY PIPE NFB-175/200	
7	CLIP 32, ST304	
8	ADAPTER, INLET/OUTLET	
9	WATER PRESSURE SENSOR	
10	WPS PACKING SILICON	
11	H/E OUTLET T-ADP NFB-175/200	
12	S.H RETURN PIPE NFB-175/200	
13	THERMISTOR NFC/NHB/ZONE CTRL	

14	APS APS-02-A(NPE,NCB)	
15	PACKING, EXHAUST DUCT	

