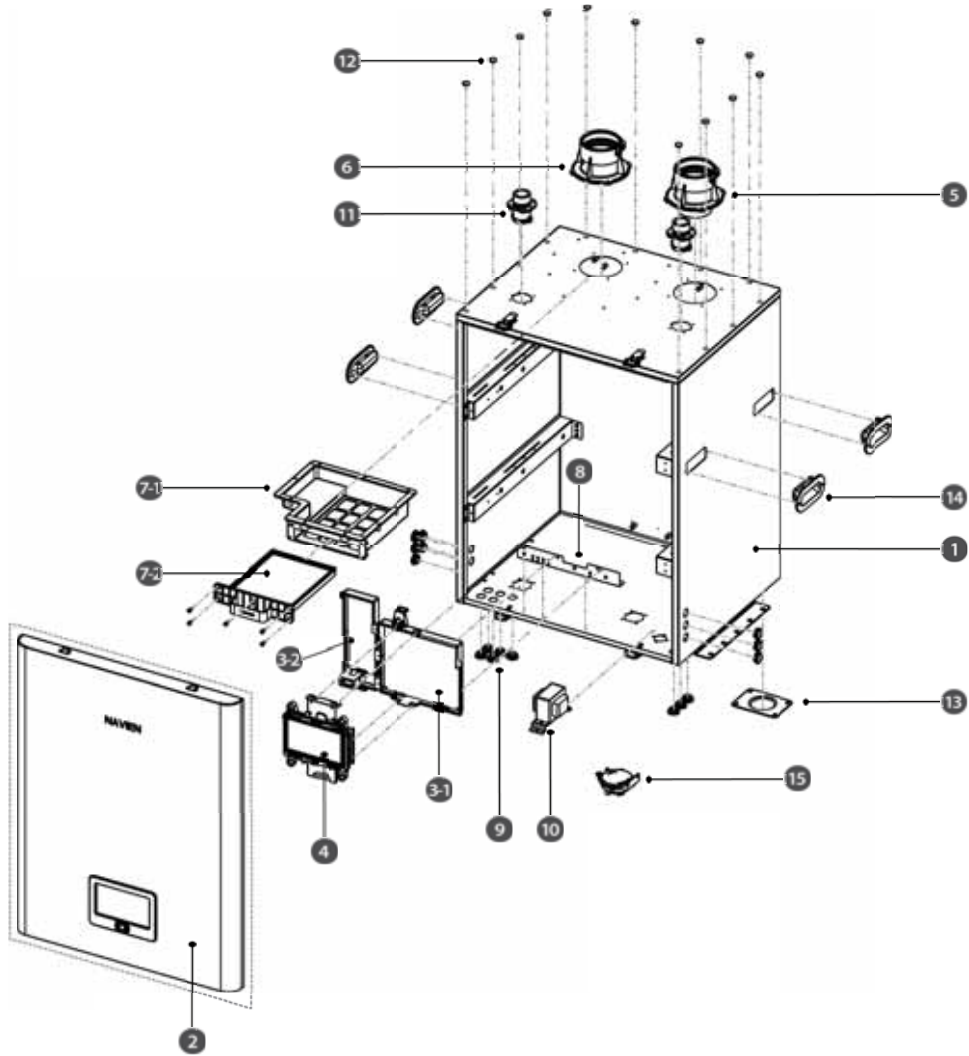


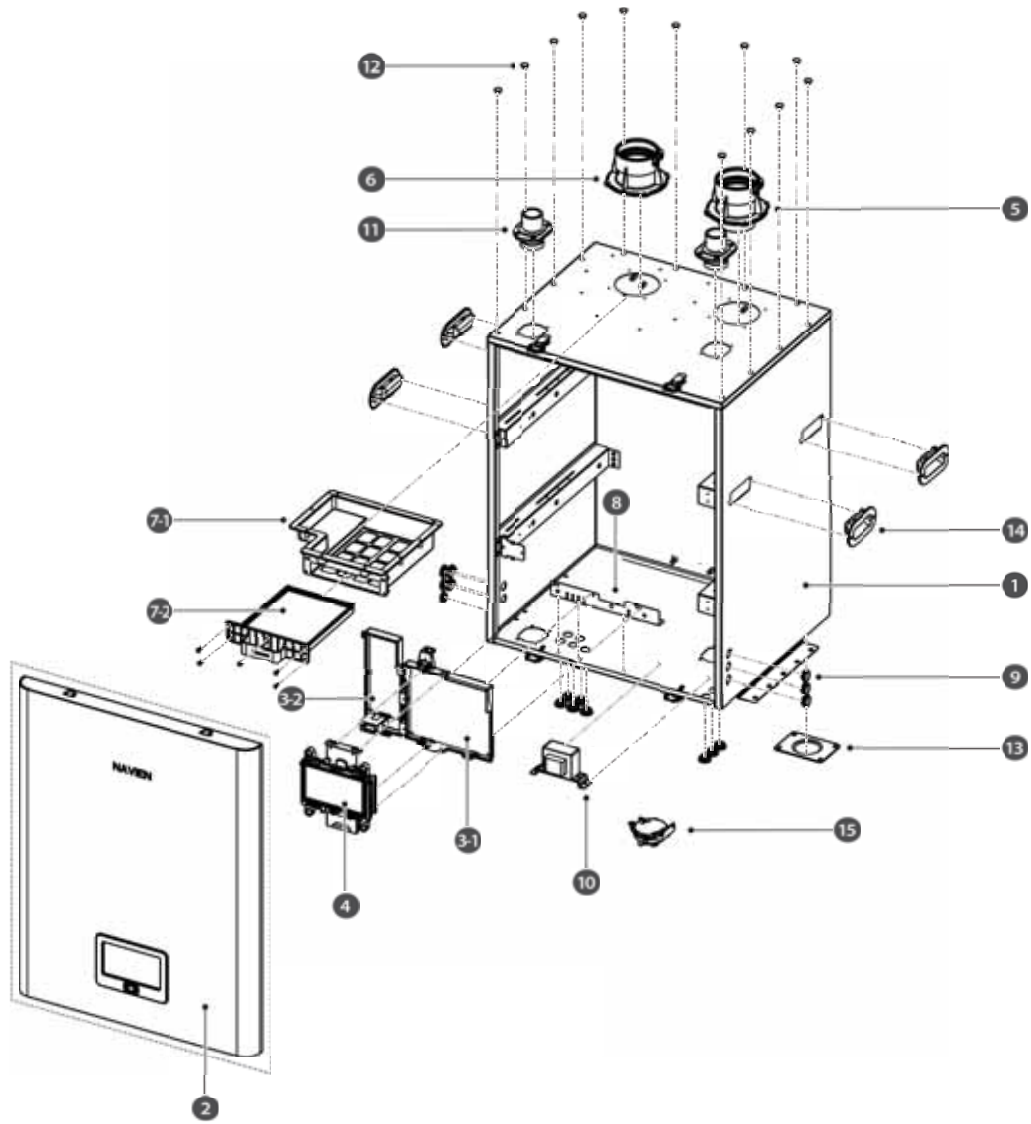
## 12.6 Component Assembly Diagrams and Part Lists

### 12.6.1 Case Assembly - NFB-301C



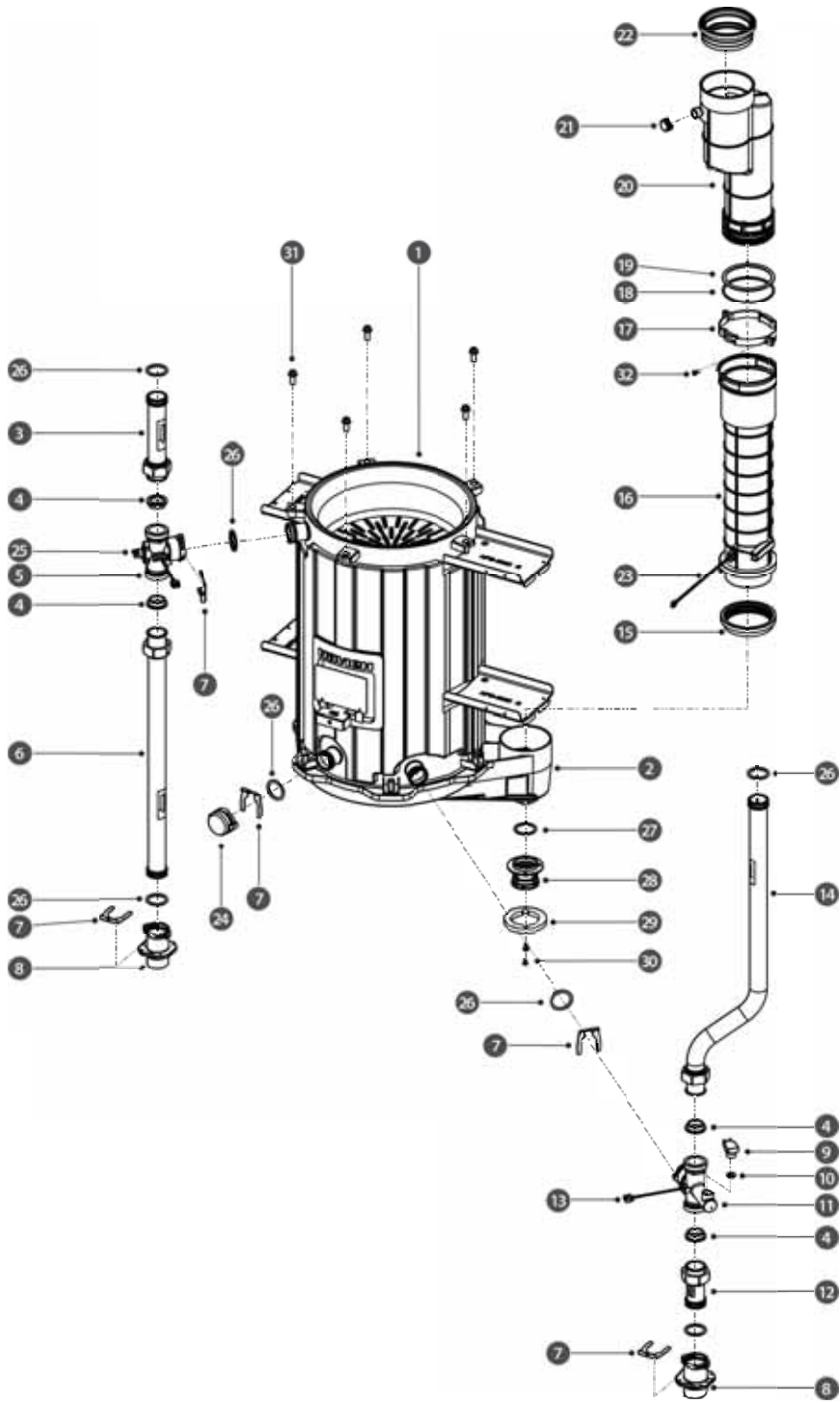
#	Description	Part #	Remark
1	Case Upper	20042573A	
	(SET) Case Upper	30023701A	NFB-301C SERVICE KIT
	Case Middle	20042572A	
	Case Lower	20042571A	
	(SET) Case Lower	30023702A	NFB-301C SERVICE KIT
2	Cover	30020590A	
	(SET)Cover	30023383A	NFB-301C SERVICE KIT
3-1	Main PCB	30020431A	
3-2	Terminal PCB	30020433A	
4	Front Panel	30019786A	
5	Exhaust Duct Assembly	30020520A	
6	Intake Air Duct Assembly	30020519A	
7-1	Air Filter Case	20046047A	
7-2	Air Filter	20046201A	
8	PCB Lower Bracket	20040181A	
9	Rubber Ring	20041970A	
10	24 V Power Transformer	30019688A	
11	Heating Supply Adapter (Air Vent Adapter)	20043650A	
12	Base Packing	20042901A	
13	Drain Pan Adapter Lower Bracket	20043583A	
14	Handle	20044467A	
15	Air Pressure Sensor	30013265A	

## 12.6.2 Case Assembly - NFB-399C



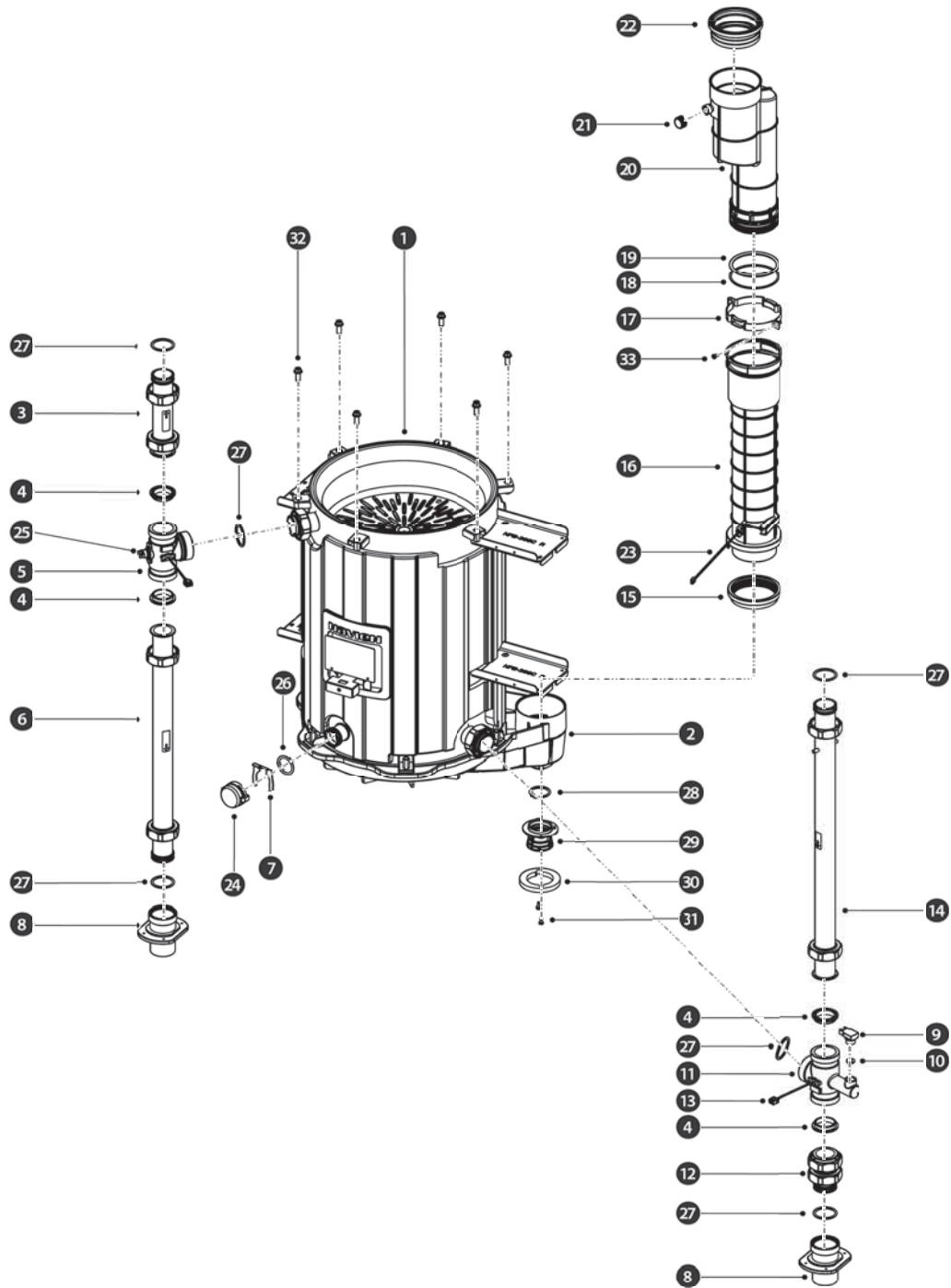
#	Description	Part #	Remark
1	Case Upper	20042659A	
	(SET) Case Upper	30023699A	NFB-399C SERVICE KIT
	Case Middle	20042521A	
	Case Lower	20042517A	
	(SET) Case Lower	30023700A	NFB-399C SERVICE KIT
2	Cover	30020590A	
	(SET)Cover	30023383A	NFB-399C SERVICE KIT
3-1	Main PCB	30020431A	
3-2	Terminal PCB	30020433A	
4	Front Panel	30019786A	
5	Exhaust Duct Assembly	30020520A	
6	Intake Air Duct Assembly	30020519A	
7-1	Air Filter Case	20046047A	
7-2	Air Filter	20046201A	
8	PCB Lower Bracket	20040181A	
9	Rubber Ring	20041970A	
10	24 V Power Transformer	30019688A	
11	Heating Supply Adapter (Air Vent Adapter)	20043267A	
12	Base Packing	20042901A	
13	Drain Pan Adapter Lower Bracket	20043583A	
14	Handle	20044467A	
15	Air Pressure Sensor	30013265A	

### 12.6.3 Heat Exchanger and Waterway Assembly - NFB-301C



#	Description	Part #	Remark
1	Heat Exchanger Assembly	30021565A	
	(SET) Heat Exchanger Assembly	30023358A	NFB-301C SERVICE KIT
2	Drain Pan Assembly	30020747A	
3	Supply Pipe (Upper)	30020985A	
4	Packing	20041401A	
5	Heat Exchanger Outlet Adapter	30021367A	
6	Supply Pipe (Lower)	30020986A	
7	Fastener	20040255A	
8	Supply/Return Pipe (Lower) Adapter	20040244A	
9	LWCO (Pressure sensor)	30022672A	
10	LWCO (Pressure sensor) Packing	20006873A	
11	Heat Exchanger Inlet Adapter	30020587A	
12	Return Pipe (Lower)	30022921A	
13	Thermistor	30012907A	
14	Return Pipe (Upper)	30022922A	
15	Drain Pan Packing	20040241A	
16	Exhaust Duct (Lower)	20040242A	
17	Exhaust Duct Clip	20042741A	
18	Exhaust Duct Packing (G90)	20022326A	
19	Exhaust Duct Packing (P85)	20042823A	
20	Exhaust Duct (Upper)	20042575A	
21	Exhaust Duct Cap	20029712A	
22	Exhaust Duct Packing (Upper)	20043021A	
23	Thermistor (Exhaust)	30020489A	
24	Heat Exchanger Drain Cap	20042237A	
25	High Limit Switch	30002558A	
26	O-ring (V32)	20041403A	
27	O-ring (P34)	20042298A	
28	Drain Pan Adapter	20043016A	
29	Drain Pan Adapter Packing	20043017A	
30	Screw (M4X10L)	20038753A	
31	Screw (M4X20L)	20042814A	
32	Bolt (M4X10L)	20038757A	

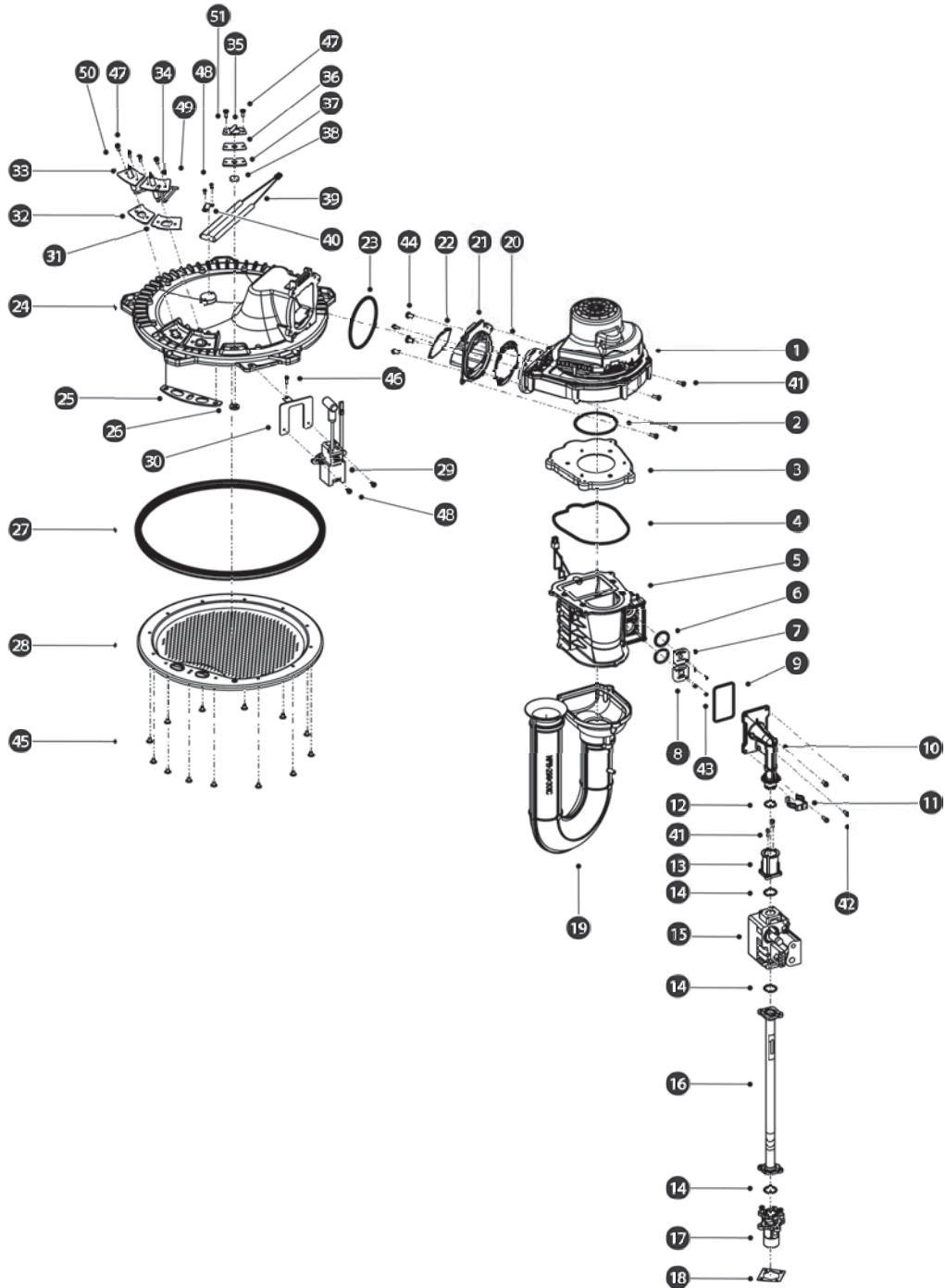
### 12.6.4 Heat Exchanger and Waterway Assembly - NFB-399C



#	Description	Part #	Remark
1	Heat Exchanger Assembly	30021566A	
	(SET) Heat Exchanger Assembly	30023357A	NFB-399C SERVICE KIT
2	Drain Pan Assembly	30020580A	
3	Supply Pipe (Upper)	30020996A	
4	Packing	20043332A	
5	Heat Exchanger Outlet Adapter	20043652A	
6	Supply Pipe (Lower)	30020596A	
7	Fastener	20040255A	
8	Supply/Return Pipe (Lower) Adapter	20043268A	
9	LWCO (Pressure sensor)	30022672A	
10	LWCO (Pressure sensor) Packing	20006873A	
11	Heat Exchanger Inlet Adapter	30020994A	
12	Return Pipe (Lower)	30020993A	
13	Thermistor	30012907A	
14	Return Pipe (Upper)	30020585A	
15	Drain Pan Packing	20040241A	
16	Exhaust Duct (Lower)	20040242A	
17	Exhaust Duct Clip	20042741A	
18	Exhaust Duct Packing (G90)	20022326A	
19	Exhaust Duct Packing (P85)	20042823A	
20	Exhaust Duct (Upper)	20042575A	
21	Exhaust Duct Cap	20029712A	
22	Exhaust Duct Packing (Upper)	20043021A	
23	Thermistor (Exhaust)	30020489A	
24	Heat Exchanger Drain Cap	20042237A	
25	High Limit Switch	30002558A	
26	O-ring (V32)	20041403A	
27	O-ring (P38)	20023413A	
28	O-ring (P34)	20042298A	
29	Drain Pan Adapter	20043016A	
30	Drain Pan Adapter Packing	20043017A	
31	Screw (M4X10L)	20038753A	
32	Screw (M4X20L)	20042814A	
33	Bolt (M4X10L)	20038757A	



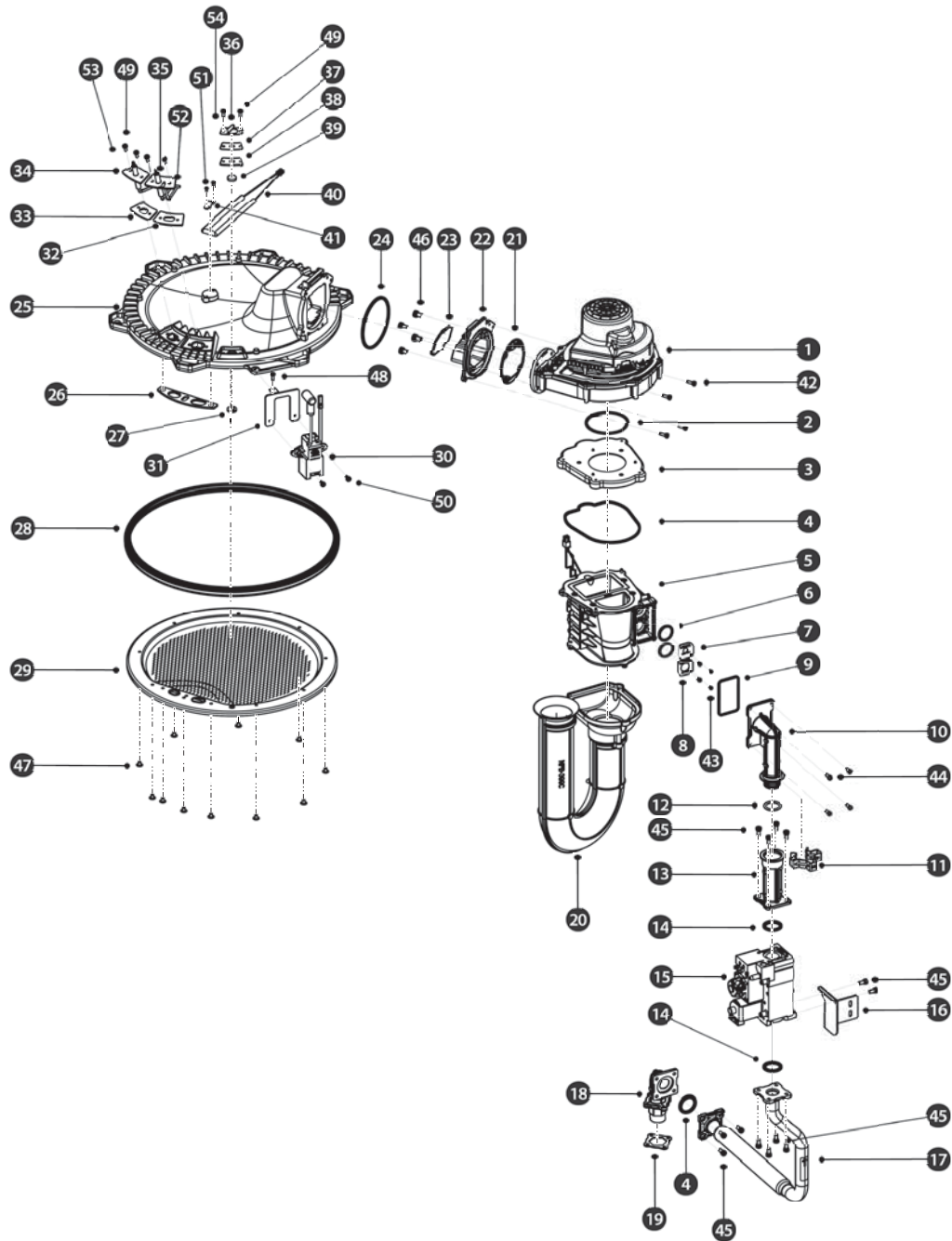
### 12.6.5 Combustion Parts Assembly - NFB-301C



#	Description	Part #	Remark
1	Fan Assembly	30020992A	
2	Fan Packing	20043751A	
3	Fan Adapter	20043334A	
4	Fan Adapter Packing	20043335A	
5	Dual Venturi	30020804A	
	(SET) Dual Venturi	30023381A	NFB-301C SERVICE KIT
6	Orifice Packing	20042788A	
7	1 Stage Gas Orifice	20043012A	NFB-301C (NG)
		20043013A	NFB-301C (LP, High Altitude Nozzle)
		20046179A	NFB-301C (NG, High Altitude Nozzle)
8	2 Stage Gas Orifice	20043014A	NFB-301C (NG)
		20043015A	NFB-301C (LP)
		20046180A	NFB-301C (NG, High Altitude Nozzle)
		20046181A	NFB-301C (LP, High Altitude Nozzle)
9	Gas Connector Packing	20042800A	
10	Gas Connector (Upper)	20042238A	
11	Fastener	20007878A	
12	O-ring (P18)	20023434A	
13	Gas Connector Adapter	20042239A	
14	O-ring (P20)	20006934A	
15	Gas Valve	30011586A	
16	Gas Pipe	30020753A	
17	Gas Inlet Adapter	20042244A	
18	Gas Inlet Adapter Packing	20023581A	
19	Intake Pipe	30020518A	
20	Fan Outlet Packing	20043320A	
21	Fan Damper Body	20043152A	
22	Fan Damper	20042952A	
23	Fan Damper Body Packing	20043153A	
24	Chamber	20042574A	
25	Packing (Graphite)	20045022A	
26	Packing (Graphite)	20040234A	

#	Description	Part #	Remark
27	Burner Packing	20042913A	
28	Burner	30022740A	
29	Ignition Transformer	30019980A	
30	Ignition Transformer Bracket	20041154A	
31	Igniter Packing	20045644A	
32	Flame Rod Packing	20045645A	
33	Flame Rod	30020805A	
34	Igniter	30020521A	
35	Flame Inspection Window (Upper)	20040231A	
36	Flame Inspection Window (Lower)	20040232A	
37	Flame Inspection Window (Graphite Packing)	20043399B	
38	Flame Inspection Window (Glass)	20040236A	
39	Burner Temperature Fuse	30020776A	
40	Burner Temperature Fuse Bracket	20042386A	
41	Screw (M4×12, Spring Washer)	20043077A	
42	Screw (M4×10, Spring Washer)	20038759A	
43	Screw (M3×5)	20006365A	
44	Screw (M6×12, Spring Washer)	20043735A	
45	Screw (M4×6)	20027618A	
46	Screw (M4×10)	20038757A	
47	Screw (M4×10, STS)	20038758A	
48	Taptite Screw (4×10)	20038753A	
49	(SET) Igniter	30023364A	NFB-301C SERVICE KIT
50	(SET) Flame Rod	30023362A	NFB-301C SERVICE KIT
51	(SET) Flame Inspection Window	30021277A	Compatible with NFB and NFC
52	(SET) Gas Orifice-NG	30023132A	NFB-301C (NG) Nozzle KIT
53	(SET) Gas Orifice- LP	30023130A	NFB-301C (LP) Nozzle KIT
54	(SET) Gas Orifice-NG (High Altitude)	30023131A	NFB-301C (NG-H) Nozzle KIT
55	(SET) Gas Orifice-LP (High Altitude)	30023132A	NFB-301C (LP-H) Nozzle KIT
56	(SET) Chamber Assmly	30023377A	NFB-301C SERVICE KIT

## 12.6.6 Combustion Parts Assembly - NFB-399C



#	Description	Part #	Remark
1	Fan Assembly	30020992A	
2	Fan Packing	20043751A	
3	Fan Adapter	20043334A	
4	Fan Adapter Packing	20043335A	
5	Dual Venturi	30020801A	
	(SET) Dual Venturi	30023380A	NFB-399C SERVICE KIT
6	Orifice Packing	20042788A	
7	1 Stage Gas Orifice	20042789A	NFB-399C (NG)
		20044123A	NFB-399C (LP, High Altitude Nozzle)
		20046182A	NFB-399C (NG, High Altitude Nozzle)
8	2 Stage Gas Orifice	20042790A	NFB-399C (NG)
		20044125A	NFB-399C (LP)
		20046183A	NFB-399C (NG, High Altitude Nozzle)
		20046184A	NFB-399C (LP, High Altitude Nozzle)
9	Gas Connector Packing	20042800A	
10	Gas Connector (Upper)	20043187A	
11	Fastener	20017724A	
12	O-ring(P24)	20010285A	
13	Gas Connector Adapter	20043188A	
14	Gas Valve Packing (NBR)	20043333A	
15	Gas Valve	30020034A	
16	Gas Valve Bracket	20043584A	
17	Gas Pipe	30020595A	
18	Gas Inlet Adapter	20042667A	
19	Gas Inlet Adapter Packing	20043887A	
20	Intake Pipe	30020599A	
21	Fan Outlet Packing	20043320A	
22	Fan Damper Body	20043152A	
23	Fan Damper	20042952A	
24	Fan Damper Body Packing	20043153A	
25	Chamber	20042538A	
26	Packing (Graphite)	20045022A	

#	Description	Part #	Remark
27	Packing (Graphite)	20040234A	
28	Burner Packing	20042657A	
29	Burner	30022741A	
30	Ignition Transformer	30019980A	
31	Ignition Transformer Bracket	20041154A	
32	Igniter Packing	20045644A	
33	Flame Rod Packing	20045645A	
34	Flame Rod	30020583A	
35	Igniter	30020582A	
36	Flame Inspection Window (Upper)	20040231A	
37	Flame Inspection Window (Lower)	20040232A	
38	Flame Inspection Window (Graphite Packing)	20043399B	
39	Flame Inspection Window (Glass)	20040236A	
40	Burner Temperature Fuse	30020776A	
41	Burner Temperature Fuse Bracket	20042386A	
42	Screw (M4×12, Spring Washer)	20043077A	
43	Screw (M3×5)	20006365A	
44	Screw (M4×10, Spring Washer)	20038759A	
45	Screw (M5×12, Spring Washer)	20043733A	
46	Screw (M6×12, Spring Washer)	20043735A	
47	Screw (M4×6)	20027618A	
48	Screw (M4×10)	20038757A	
49	Screw (M4×10, STS)	20038758A	
50	Taptite Screw (4×10)	20038753A	
51	Screw (M3×6)	20018065A	
52	(SET) Igniter	30023361A	NFB-399C SERVICE KIT
53	(SET) Flame Rod	30023363A	NFB-399C SERVICE KIT
54	(SET) Flame Inspection Window	30021277A	Compatible with NFB and NFC
55	(SET) Gas Orifice-NG	30023698A	NFB-399C (NG) Nozzle KIT
56	(SET) Gas Orifice- LP	30023128A	NFB-399C (LP) Nozzle KIT
57	(SET) Gas Orifice-NG (High Altitude)	30022909A	NFB-399C (NG-H) Nozzle KIT
58	(SET) Gas Orifice-LP (High Altitude)	30023129A	NFB-399C (LP-H) Nozzle KIT
59	(SET) Chamber Assmby	30023376A	NFB-399C SERVICE KIT