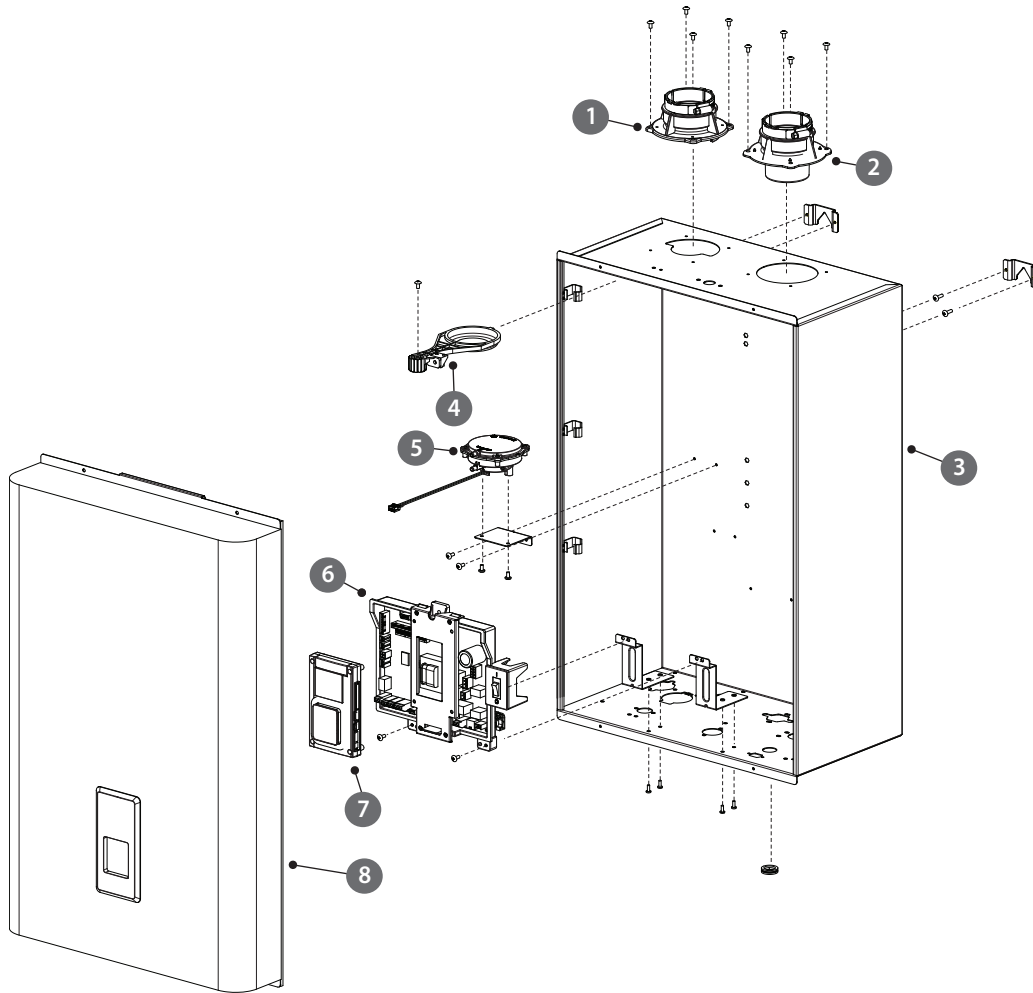


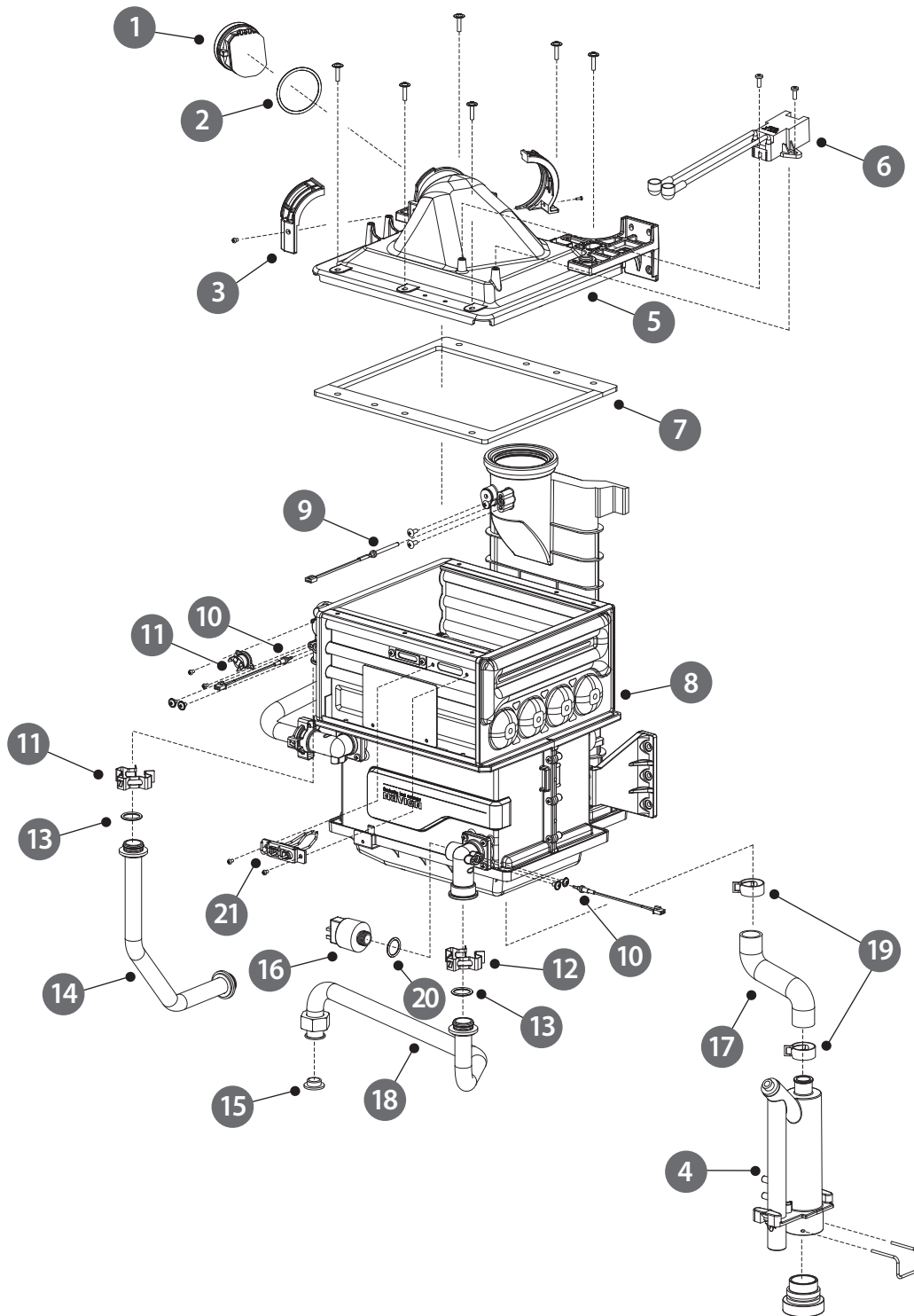
10.4 Component Assembly Diagrams and Parts Lists

10.4.1 Case Assembly



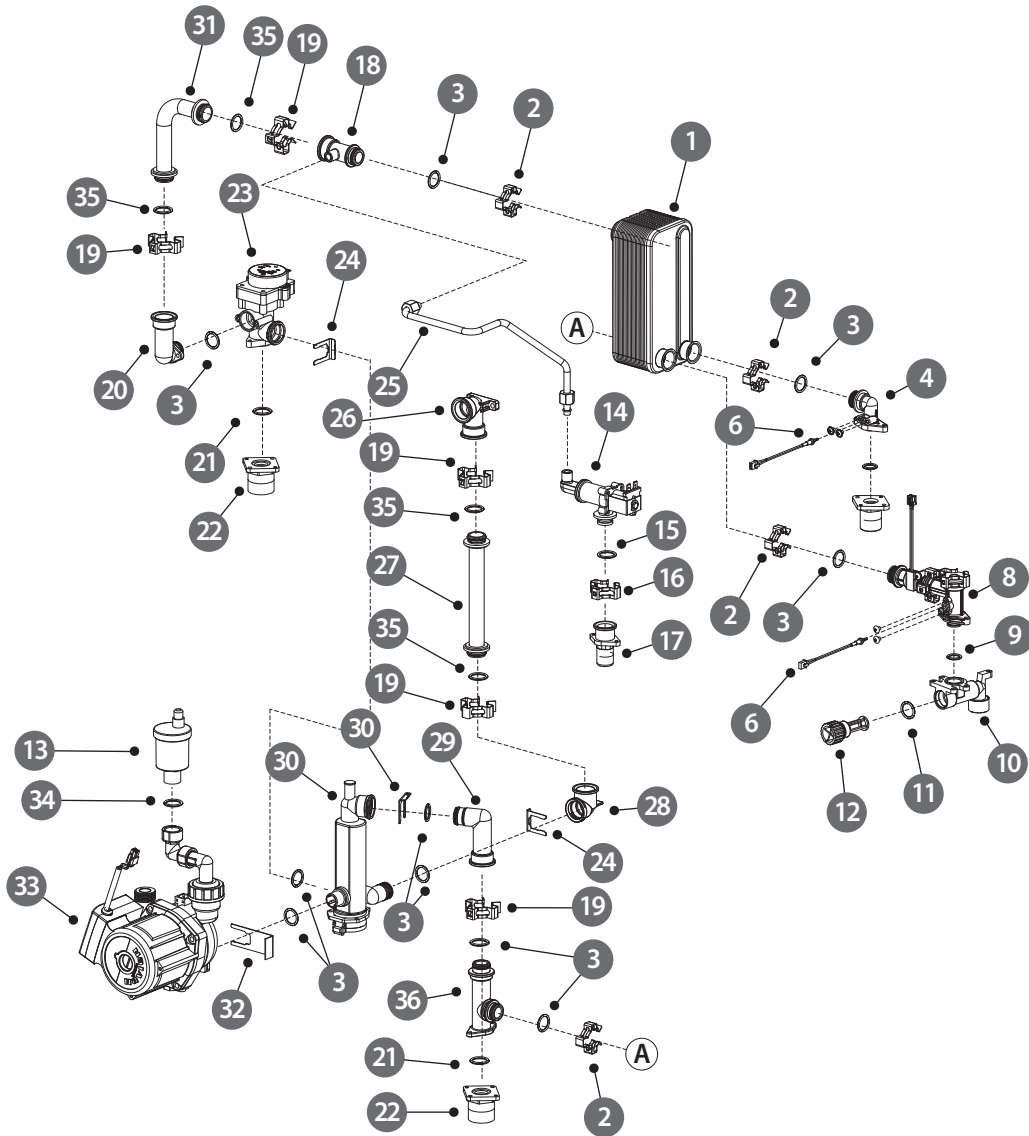
#	Description	Part #	Remark
1	Intake Air Duct Assembly	30008662B	
2	Exhaust Pipe Assembly	30008673A	
3	Case	20027375A	
4	Intake Air Filter	20007668A	
5	Air Pressure Sensor	30010346A	
6	PCB	30012262A	
7	Front Panel	30012269A	
8	Cover	30012276A	

10.4.2 Burner Assembly



#	Description	Part #	Remark
1	Damper	30008825A	
2	O-Ring (G50)	20003019A	
3	Fan Bracket	20022095A	
4	Siphon	30012280A	
5	Burner Chamber Ass'y	30010353A	NCB-180
		30008440A	NCB-210/240
6	Igintion Transformer	30010455A	
7	Burner Packing	20021677A	NCB-180
		20021672A	NCB-210/240
8	Heat Exchanger Ass'y	30012322A	NCB-180
		30012321A	NCB-210
		30012317A	NCB-240
9	Thermistor (Exhaust)	30009478A	
10	Thermistor (Water)	30008366A	
11	High Limit Switch	30002558A	
12	Fastner	20007859A	
13	O-Ring (P19)	20017211A	
14	Heat Exchanger Outlet Pipe	30011913A	NCB-180
		30011912A	NCB-210/240
15	Packing (Circulation Pump)	20027617A	
16	LWCO (Pressure Sensor)	20007924A	
17	Siphon Hose	20007853A	
18	Return Pipe	20018344A	
19	Siphon Fastner	30008366A	
20	LWCO Packing	20006873A	
21	Ignitor	30012226A	

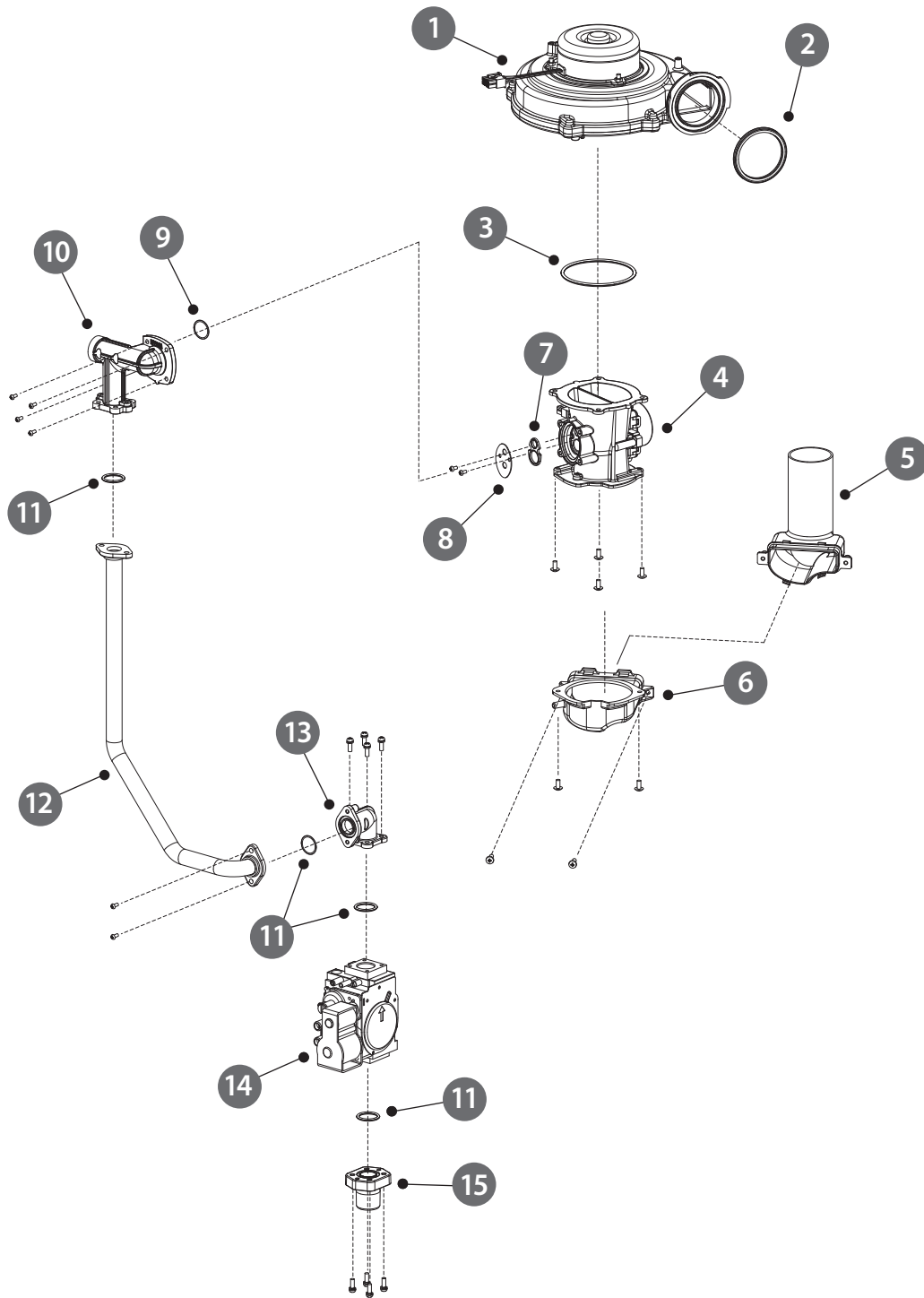
10.4.3 Waterway Assembly



#	Description	Part #	Remark
1	DHW Heat Exchanger	30008181A	NCB-180
		30005017A	NCB-210/240
2	Thermistor	30008366A	
3	O-Ring (P18)	20006954A	
4	DHW Outlet Elbow	30012328A	
5	Packing	20006852A	
6	Thermistor	30008366A	

#	Description	Part #	Remark
7	DHW Outlet Adaptor	30003747A	
8	DHW Flow Sensor	30012033A	
9	O-Ring (P14)	20006952A	
10	DHW Cold Water Adaptor	30010317A	
11	O-Ring (P20)	20017212A	
12	DHW Cold Water Filter	-	
13	Air Vent	30012277A	
14	Auto Fill Valve	30012241A	
15	O-Ring (P16)	20011438A	
16	Fastner	20007859A	
17	Auto Fill Valve Adaptor	-	
18	3-Way Outlet Adaptor B	30012332A	
19	Fastner	20017726A	
20	3-Way Outlet Adaptor A	30012331A	
21	Packing	20011380A	
22	Connection Adaptor	20011408A	
23	3-Way Valve	30004816C	
24	Fastner	20007733A	
25	Water Fill Pipe	30012247A	
26	Space Heating Supply Adaptor A	20026931A	
27	Space Heating Supply Pipe	30011905A	
28	Space Heating Supply Adaptor B	20026930A	
29	Space Heating Return Adapter A	30012329A	
30	Space Heating Strainer	30002513D	
31	3-Way Outlet Pipe	30012328A	
32	Circulation Pump Fastner	20007877A	
33	Circulation Pump	30012177A	
34	Air Vent Packing	20014402A	
35	O-Ring (Φ18.8x2.6t)	20003022A	
36	Space Heating Return Adapter B	30012330A	

10.4.4 Fan (Gas) Assembly



#	Description	Part #	Remark
1	Fan Assembly	30008834A	
2	Fan Packing	20022744A	
3	O-Ring (G75)	20018079A	
4	Dual Venturi	30009219A	NCB-180
		30008909A	NCB-210/240
5	Silence	20019142A	NCB-180
		20023829A	NCB-210/240
6	Silence Adaptor	20023861A	NCB-180
		20019141A	NCB-210/240
7	Venturi Packing	20022660A	NCB-180
8	Gas Orifice	20024159A	NCB-180 (NG)
		20024190A	NCB-210/240 (NG)
		20019144A	NCB-180 (LP)
		20024189A	NCB-210/240 (LP)
9	O-Ring (P34)	20019090A	
10	Gas Adapter	30008431A	
11	O-Ring (P20)	20006934A	
12	Gas Pipe	30012338A	NCB-180
		30012058A	NCB-210/240
13	Gas Connector	20027149A	
14	Gas Valve	30011586A	NCB-180
		30008429A	NCB-210/240
15	Gas Inlet Adaptor	20007924A	20027748A