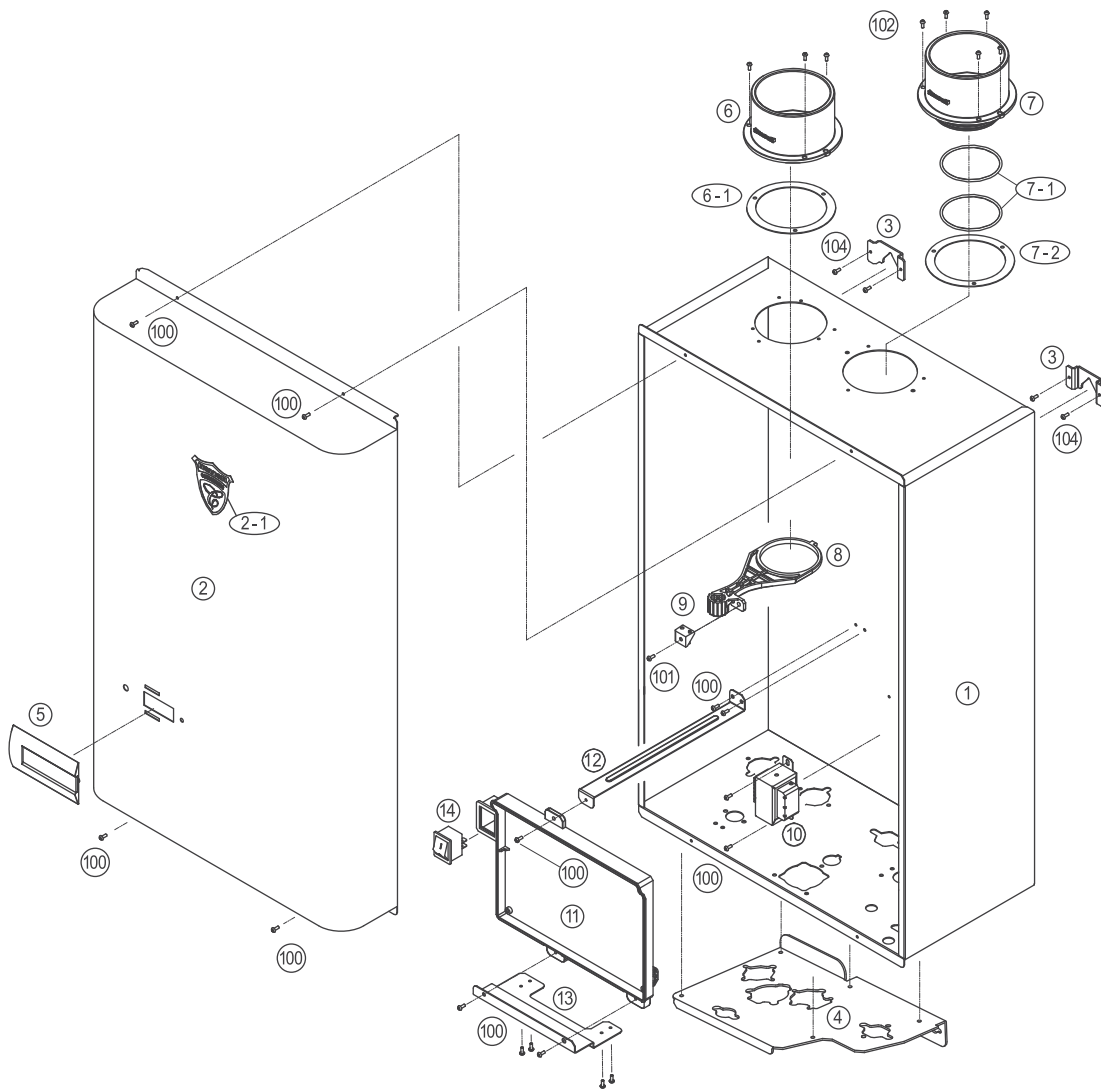


Components Diagram & Parts List:

1.1 Case Disassemble

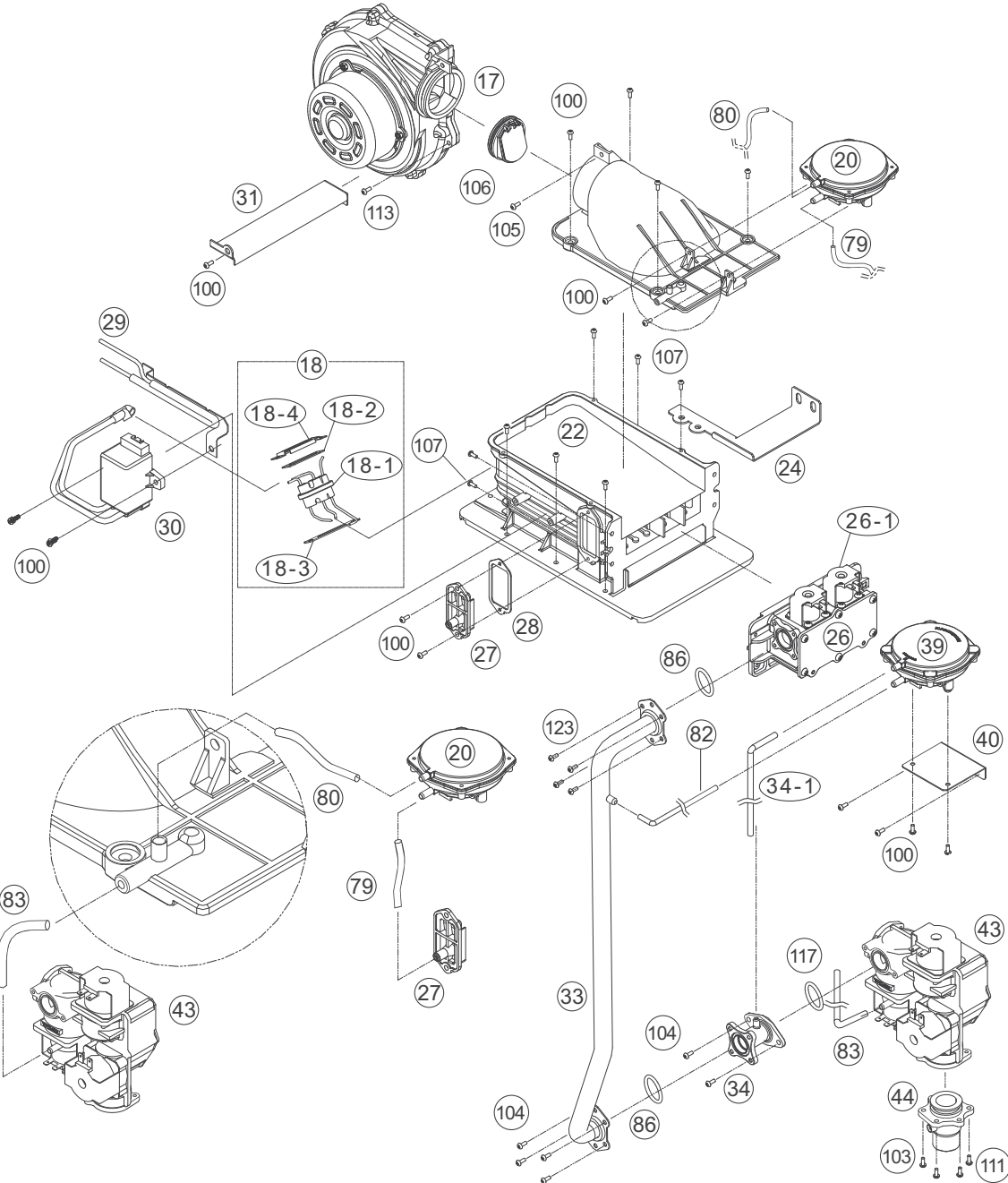


1-2. Case Part List

NO	Description	Navien Part No.	Remark
1	Case	BBK05011089	
2	Cover	BBR15012136	
2-1	Emblem	BH2603008A	
3	Case Upper Bracket	BH2505277A	
4	Case Lower Bracket	BBK05197001	
5	Deco	BH2602012A	Pressure Indicator
6	Intake Air Duct Ass'y	BH2505400B	
6-1	Intake Air Duck Packing	-	No.6 Ass'y
7	Exhaust Pipe Ass'y	BH2505401B	
7-1	Exhaust Pipe O-Ring	-	No.7 Ass'y
7-2	Exhaust Pipe Packing	-	No.7 Ass'y
8	Intake Air Filter	BH2505416A	
9	Intake Air Filter Support	BH2505417A	
10	Transformer	BH1205011A	
11	PCB Board	NACR1GS32301	
12	PCB Board Bracket(Upper)	BH2505413A	
13	PCB Board Bracket(Lower)	BH2505414A	
14	Power Switch	BH1426002A	
100	Screw D4 x 8L	BH1705007A	
101	Bolt M4 x 16L	BH1603009A	
102	Screw D4 x 12L	BH1612005A	
104	Bolt D4 x 10L (STS)	BH1611006A	

Components Diagram & Parts List:

2-1. Burner Disassemble



2-2. Burner Part List

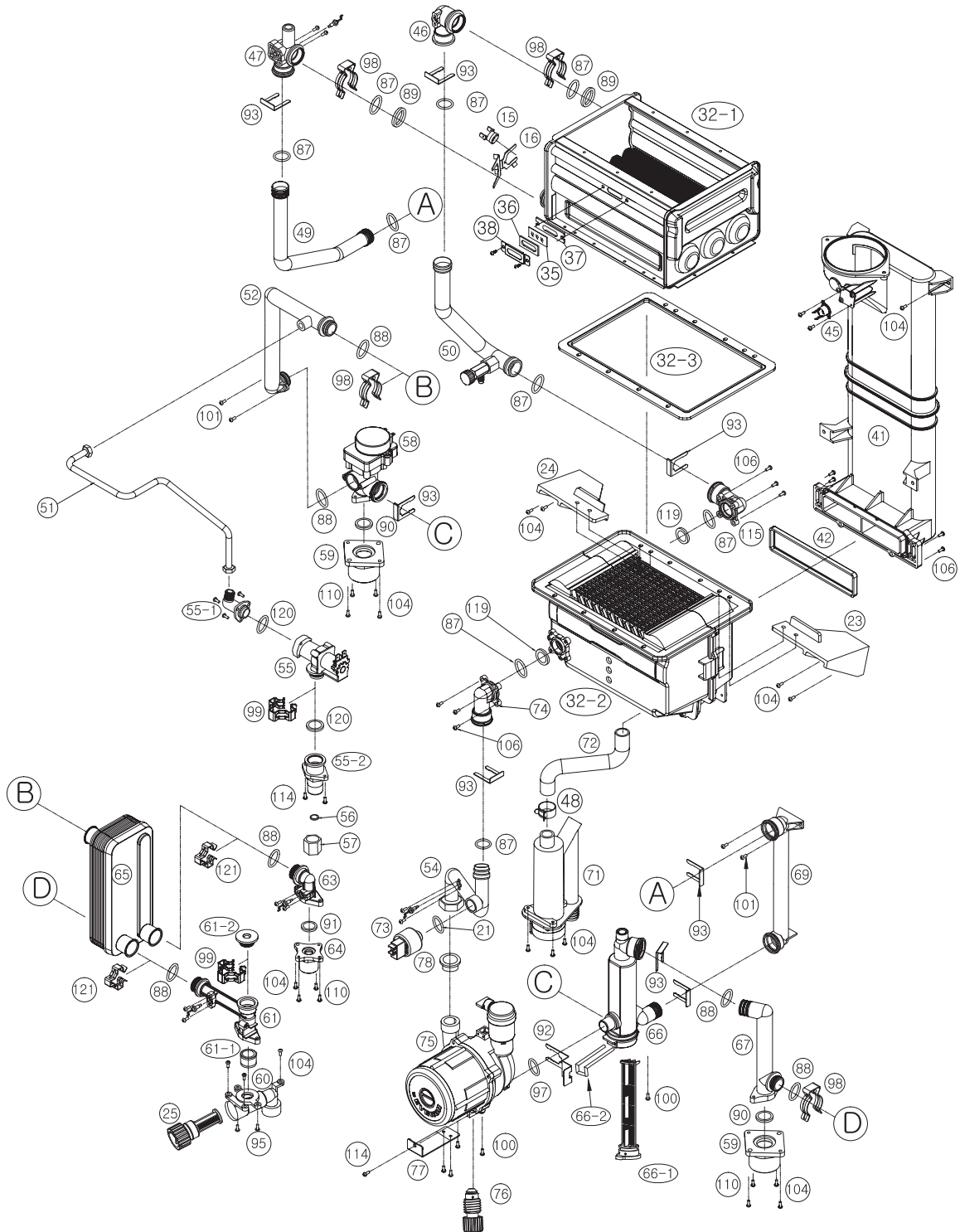
NO	Description	Navien Part No.	Remark
17	Fan Motor	NAFA9GSFB002	
18	Flame rod ass'y	PH1603058D	NG
		PH1603059D	LP
18-1	Flame rod	BH2501679A	NG
		BH2501680A	LP
18-2	Flame rod packing A	BH2505054A	
18-3	Flame rod packing B	BH2405051A	
18-4	Flame rod bracket	BH2505681A	
20	Air Pressure Sensor	NASS9EX00009	
22	Burner	PABNCW48KDBN_002	NG
		PABCR210/240ABN_002	LP
24	Burner Bracket (L)	BH2501444C	
26	Manifold	PABCC210AMF_001	NG
		PABCC210AMF_002	LP
26-1	Solenoid valve	PH0905028A	
27	APS venturi	BH2501413A	
28	APS venturi packing	BH2405031A	
29	Thermal fuse	BH1419013A	
30	Ignition transformer	BH1201045A	
31	Fan motor bracket	BH2501604A	
33	Gas Pipe	BH2546021A	NG
		BH2546025A	LP
34	GPS venturi	BH2507360B	NG
		BH2507422B	LP
34-1	GPS venturi tube	BH2203002A	
39	Gas pressure sensor	NASS9EXGPS01	
40	GPS bracket	BH2507346A	
43	Main gas valve	BH0901018A	
44	Gas inlet adapter	BH2507396A	
79	Tube	BH2202025A	

2-2. Burner Part List

NO	Description	Navien Part No.	Remark
80	Tube	BH2202024A	
82	Tube (550L)	BH2203001A	
83	Tube	BH2202041A	
86	O-Ring	BH2421008A	
100	Screw D4 × 8L	BH1705007A	
103	Screw D4 × 6L	BH1612004A	
104	Bolt D4 × 10L (STS)	BH1611006A	
105	Screw D4 × 14L	BH1701031A	
107	Screw D4 × 14L	BH1708006A	
111	Bolt M4 × 12L (STS)	BH1603007A	
113	Screw D4 × 25L	BH1701030A	
116	Fan Motor Damper	BH2505403B	
117	O-Ring	BH2421003A	
123	Screw D4 × 4L	BH1710001A	

Components Diagram & Parts List:

3-1. Water Way Disassemble



3-2. Water Way Part List

NO	Description	Navien Part No.	Remark
15	High Limit Switch	BH1401022A	
16	High Limit Switch Bracket	BH2501541A	
21	WPS Packing	BH2406054A	
23	H/E Bracket R	BH2501704A	
24	H/E Bracket L	BH2501703A	
25	Inlet Water Filter	BH1303035A	
32	Heat Exchanger Ass'y	BBM20341022	
41	Exhaust Duct	BH2544007D	
42	Exhaust Duct Packing	BH2406050A	
45	Exhaust Limit Switch	BH1401027A	
46	Primary H/E Inlet Adapter	BH2507645A	
47	Primary H/E Outlet Adapter	BH2507640A	
49	H/E Outlet Pipe	BH2507654A	
50	H/E Middle Pipe	PACCONNECTING-T_001	
51	Auto Feeder Pipe	BH2507552A	
52	SPH Inlet Pipe	PACINLET-T_002	
54	H/E Inlet Pipe	PACINLET-T_001	
55	Auto Feeder Valve	30005993C	
56	Auto Feeder Packing	BH2406063A	
57	Auto Feeder Cover	BH0712006A	
58	3-Way Valve	AAVC9EX00018	
59	S/H Return Adapter	BH2507639A	
60	DHW Inlet Adapter	30010315A, 30010316A, 30010317A	
61	DHW Flow Sensor	BH1406005A	
63	DHW Outlet Pipe Ass'y	BH2507641A	
64	DHW Outlet Adapter	BH2507642A	
65	DHW Heat Exchanger	PAS40KHE_004	
66	S/H Strainer	BH1301020B	
67	S/H Return Pipe	PACRETURN-T_001	
69	S/H Pipe	PACSUPPLY-T_002	
71	Siphon	BH2501442C	
72	Siphon Hose	BH2204047A	

NO	Description	Navien Part No.	Remark
73	Water Pressure Sensor	BH2507535A	
74	Secondary H/E Inlet Adapter	BH2507646A	
75	Circulation Pump	NAPU9GLPCT10	
76	Drain Coke	BH2505314A	
77	Pump Bracket	BH2501447A	
78	Pump Packing	BH2406039A	
81	Fastener C	BH2507018B	
87	O-Ring (φ17.5x2.7t)	BH2423055A	
88	O-Ring (P16)	BH2423053A	
89	Back-up Ring	BH2507308A	
90	Packing Ring (3/4")	BH2406025A	
92	Pump Fastener	BH2507445A	
93	Clip A	BH2507013A	
94	Clip C	BH2507345A	
95	Screw D4 x 16L	BH1708004A	
97	O-Ring (φ24.8x φ17.8t)	BH2423058A	
98	Fastener B	BH2507016A	
99	Fastener D	BH2507402B	
100	Screw D4 x 8L	BH1705007A	
101	Bolt M4 x 16L	BH1603009A	
104	Bolt D4 x 10L (STS)	BH1611006A	
106	Bolt M4 x 12L	BH1612007A	
110	Screw D4 x 14L	BH1701003A	
114	Bolt M4 x 8L	BH1603015A	
119	H/E Packing	BH2406048A	
120	O-Ring (P16)	BH2422017A	
121	Fastener A	BH2507400B	
-	CH-240-ASME Relief Valve	BH0916001A	