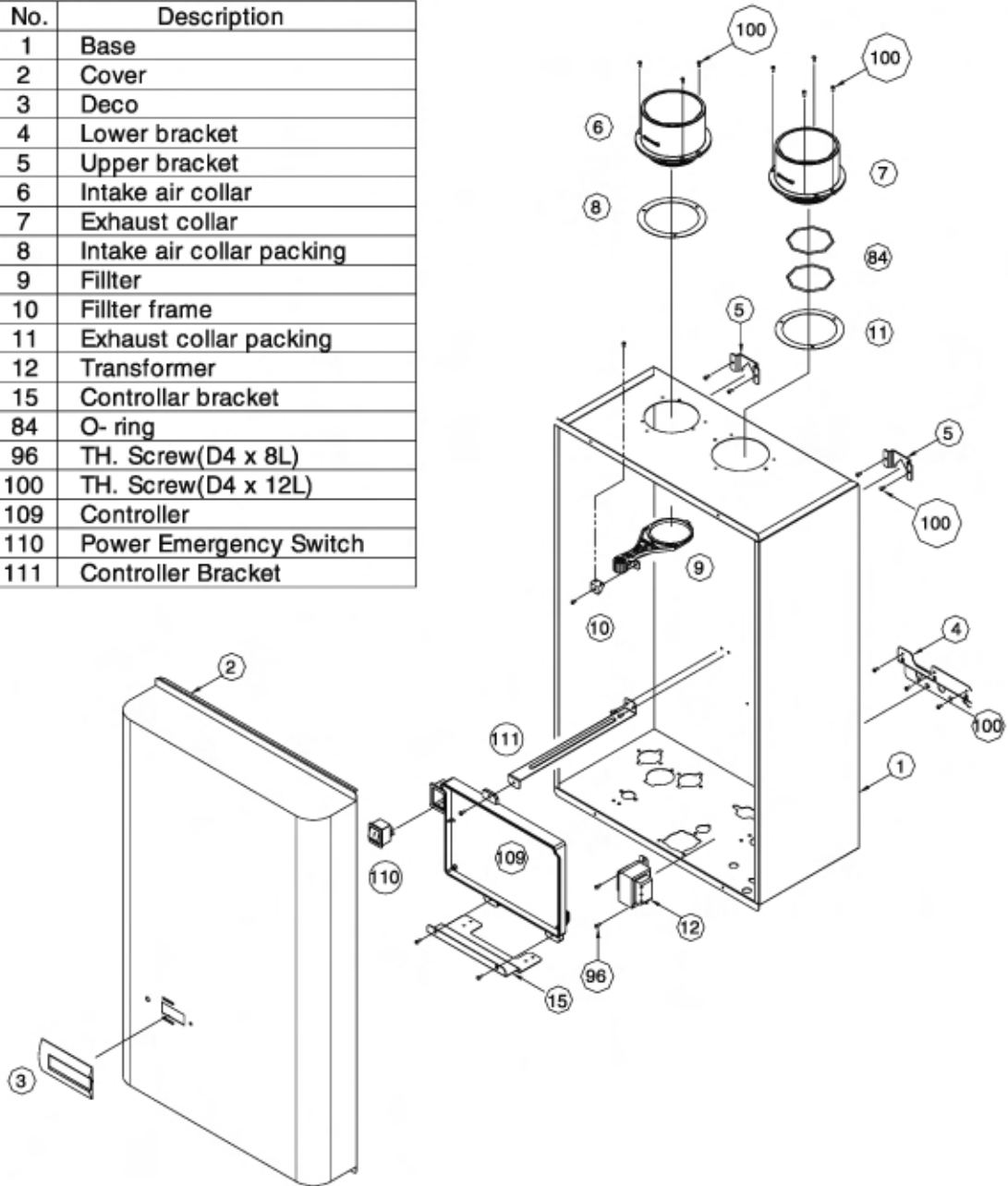


Components Diagram & Parts List

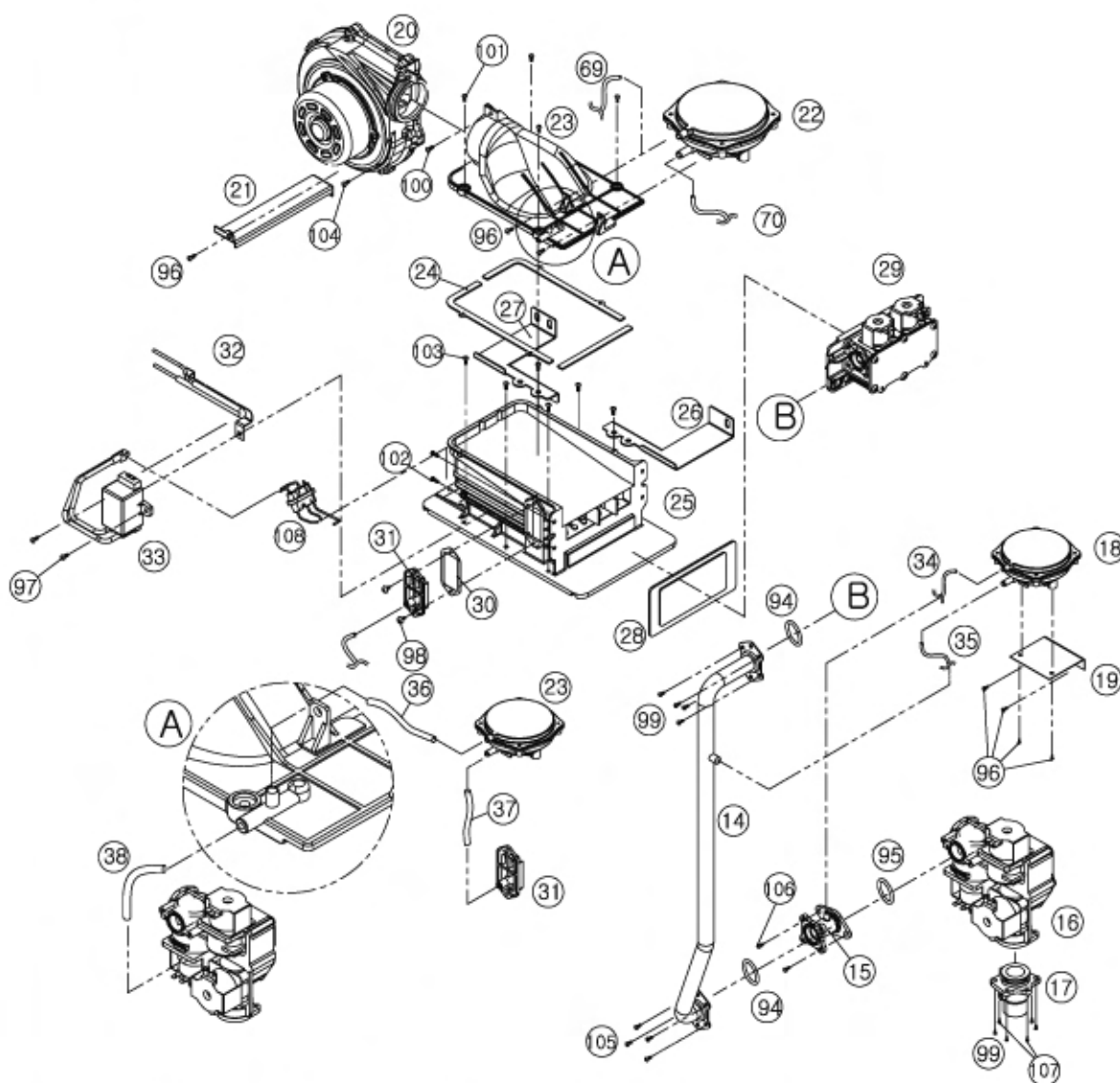
CASE ASSEMBLY : CH

No.	Description
1	Base
2	Cover
3	Deco
4	Lower bracket
5	Upper bracket
6	Intake air collar
7	Exhaust collar
8	Intake air collar packing
9	Filter
10	Filter frame
11	Exhaust collar packing
12	Transformer
15	Controllar bracket
84	O- ring
96	TH. Screw(D4 x 8L)
100	TH. Screw(D4 x 12L)
109	Controller
110	Power Emergency Switch
111	Controller Bracket



Components Diagram & Parts List

BURNER ASSEMBLY : CH



No.	Description	No.	Description	No.	Description
14	Gas pipe	28	Packing	97	TH. Screw (D4×6L)
15	GPS venturi	29	Manifold	98	TH. Screw (D4×12L)
16	Main gas valve	30	APS venturi packing	99	TH. Screw (D4×6L) STS
17	Gas inlet	31	APS venturi	100	Tap Screw (D4×8L)
18	Gas pressure sensor	32	Temperature fuse	101	Screw (M4×8L)
19	GPS bracket	33	Igniter	102	Screw (D4×12L)
20	Fan	34	Tube 7×4×550L	103	Screw (D4×14L)
21	Fan bracket	35	Tube 7×4×170L	104	Screw (D4×16L)
22	Air pressure sensor	36	Tube (black) 7×4×50L	105	Bolt (M4×6L) STS
23	Combustion air intake duct	37	Tube (black) 7×4×170L	106	Bolt (M4×10L) STS
24	CAID packing	38	Tube (black) 6×3×550L	107	Bolt (M4×12L) STS
25	Burner assembly	94	O-ring 19.8×2.4t	108	Ignitor and flame rod
26	Burner bracket (L)	95	O-ring 19.8×2.7t		
27	Burner bracket (R)	96	TH. Screw (D4×8L)		

