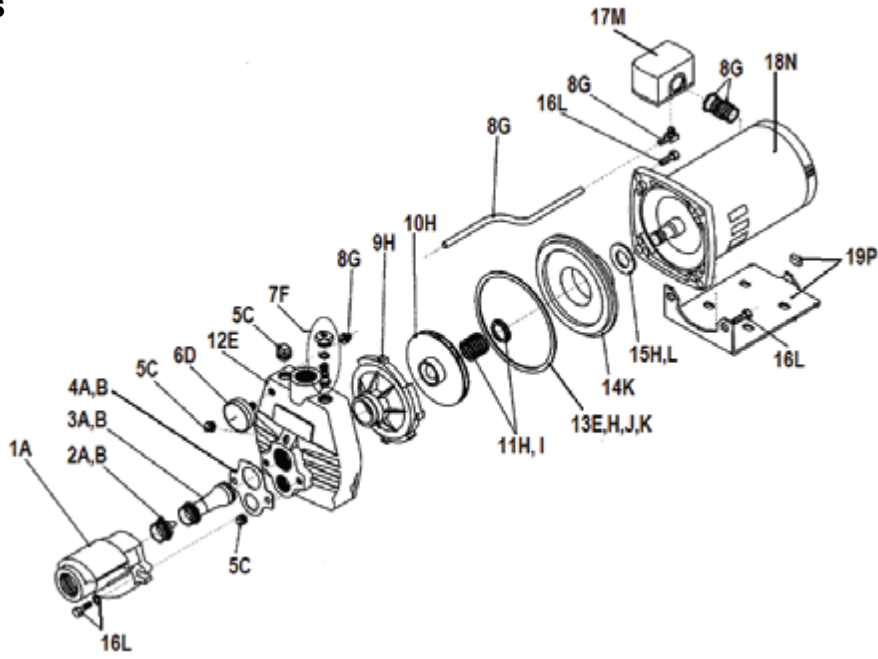


REPLACEMENT PARTS



Number	Description	Kit Grouping Identifier	Repair Part Order Codes by Model Number		
			1/2 hp	3/4 hp	1 hp
1	Injector body	A	305446946	305446947	
2	Nozzle	B	305446948	305446949	
3	Venturi	A	305446946	305446947	
4	Gasket, injector	B	305446948	305446949	
5	Plugs kit	C	305446953		
6	Pressure Gauge	D	305446935		
7	Valve assembly	F	305446951		
8	Switch attachment set	G	305446936		
9	Diffuser	H	305446941	305446942	
10	Impeller				
11	Mechanical Seal	I	106196221		
12	Casing	E	305446950		
13	Gasket	H	305446941	305446942	
		J	305446945		
		K	305446943		
14	Seal Plate	L	305446941	305446942	
15	Flinger				
16	Fastner Kit*	L	305446952		
17	Pressure Switch	M	305446944		
18	Motor	N	305446955	305446956	305446957
19	Base Assembly	P	305446960		

†Items with like identifiers are sold/packaged together.

*Fastener kit (16L) is a complete set of the hardware used to assemble the pump. As a convenience, kit A,B,E,H,K contain the fasteners needed for the reassembly of its components.