

SUBMITTAL SHEET

JOB NAME	ITEM TAG
JOB LOCATION	PART NUMBER
CONTRACTOR	DATE
ENGINEER APPROVAL	DATE

T-2100

Full Port 3-Way Ball Valve

Full port design permits exceptional flow characteristics

Directional arrow on the handle indicates flowpath

Ideal for commercial or industrial diverter applications

L-port ball design always diverts media to the side-leg connection from either run connection.

Working Pressure, Non-Shock (PSI)

Saturated Steam all sizes: 150 psi

Cold Water, Oil, Gas all sizes: 600 psi

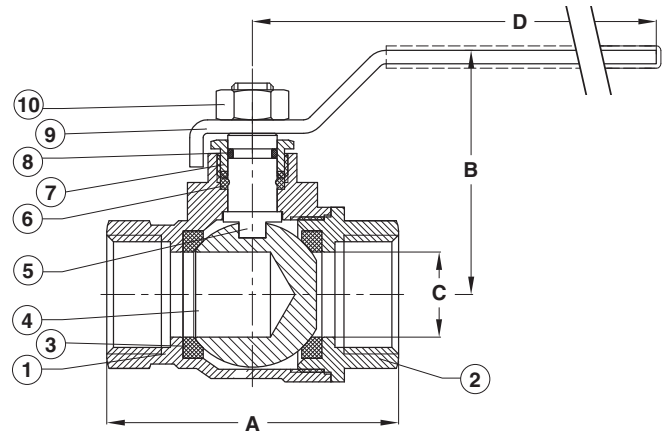
- Female NPT connections comply with ANSI / ASME B1.20.1



- Manufactured in an ISO 9002 accredited facility.

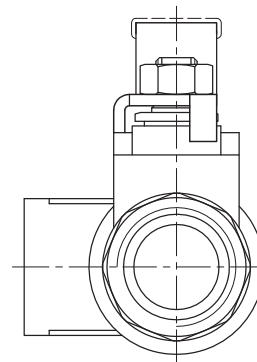
MATERIAL SPECIFICATION

PART	MATERIAL	SPECIFICATIONS
1 Body	Forged Brass	ASTM B124 UNS C37700
2 End Adapter	Forged Brass	ASTM B124 UNS C37700
3 Seats	PTFE	Dupont Teflon
4 Ball	Chrome Plated Forged Brass	ASTM B124 UNS C37700
5 Stem	Forged Brass	ASTM B124 UNS C37700
6 Stem Packing	PTFE	Dupont Teflon
7 Packing Nut	Forged Brass	ASTM B124 UNS C37700
8 Stem O-Ring	NBR	Commercial grade
9 Handle	Chrome Plated Carbon Steel	ASTM A570, Grade A
10 Handle Nut	Chrome Plated Carbon Steel	ASTM A570, Grade A



DIMENSIONS

Size	A	B	C	D
1/4"	1.89	1.73	0.39	3.35
3/8"	1.89	1.73	0.39	3.35
1/2"	2.11	1.81	0.50	3.35
3/4"	2.56	2.17	0.75	4.41
1"	3.03	2.33	0.98	4.41



T-2100