

SUBMITTAL SHEET

JOB NAME

ITEM TAG

JOB LOCATION

PART NUMBER

CONTRACTOR

DATE

ENGINEER APPROVAL

DATE

LEAD-FREE FULL PORT TUBING COMPRESSION BALL VALVE

T-2009NL

Lead-free design is suitable for all no-lead potable water installations, in full compliance of all lead-free plumbing laws.

Dezincification-resistant (DZR) forged brass construction resists corrosion from exposure to a wide variety of water conditions.

Tubing compression connections permit easy, convenient, lead-free compliant replacement of a worn, leaded valve, without the need for sweating.

Quarter-turn, positive-shutoff full port design, make the T-2009NL the ideal replacement for a leaking multi-turn, drip-tight, reduced port gate valve.

Self-cleaning chrome-plated ball resists mineral build-up and scaling.

Available with reversible-position handle, offering installation flexibility in confined applications.

Available in CTS sizes 1/2" - 1"

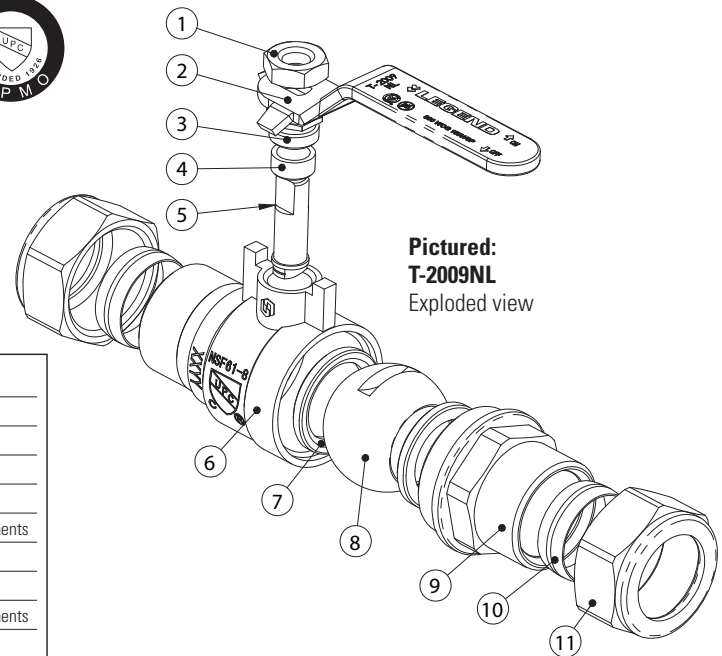
Working Pressure, Non Shock (PSI)

Cold working pressure (CWP): 1/2"-1" 600 CWP
Saturated steam (WSP): 150 p.s.i.

- Third-party tested and certified in compliance with U.S. Federal Public Law 111-380 (National lead-free plumbing law).
- UPC / IAMPO certified to ANSI / NSF Standard 61-G.
- Manufactured in an ISO accredited facility.



**Pictured:
T-2009NL**



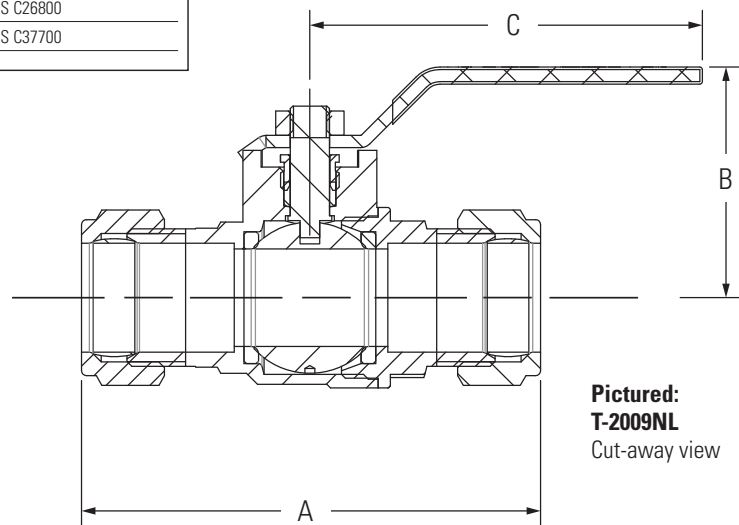
**Pictured:
T-2009NL
Exploded view**

MATERIAL SPECIFICATION

PART	MATERIAL	SPECIFICATION
1 Handle nut	Zinc plated steel	ASME SA6, SA283 Grade C
2 Lever handle	Zinc plated steel	ASME SA6, SA283 Grade C
3 Packing nut	Forged brass	ASTM B455 UNS C38500
4 Stem packing	PTFE	Comerial grade, meets NSF requirements
5 Stem	Lead-free forged brass	UNS Alloy C46500
6 Body	Lead-free forged brass	UNS Alloy C46500
7 Seats (2)	PTFE	Comerial grade, meets NSF requirements
8 Ball	Lead-free chrome plated forged brass	UNS Alloy C46500
9 End adapter	Lead-free forged brass	UNS Alloy C46500
10 Compression ferrule (2)	Lead- free forged brass	ASTM B587 UNS C26800
11 Compression nut (2)	Forged brass	ASTM B124 UNS C37700

DIMENSIONS

Size	A	B	C
1/2"	3.08	1.69	2.95
3/4"	3.72	1.86	3.17
1"	4.07	2.35	4.17



**Pictured:
T-2009NL
Cut-away view**

T-1009NL No Lead Forged Brass Compression x Compression Maintenance-Free Full Port Ball Valve



Maintenance-free dual o-ring full port ball valve with compression ends for convenient installation onto copper tubing. Constructed of no lead binary brass. Configuration and Sizes: Compression x Compression, 1/2", 3/4", & 1". Third party certified no lead ANSI/NSF 61-G, NSF.

T-2009NL No Lead Forged Brass Compression x Compression Full Port Ball Valve



Full port ball valve with compression ends for convenient installation onto copper tubing. Constructed of no lead binary brass. Configuration and Sizes: Compression x Compression, 1/2", 3/4", & 1". Third party certified no lead ANSI/NSF 61-G, IAPMO.

T-2002NL No Lead Forged Brass Compression x Compression Full Port Ball Valve with Drain



Full port ball valve with drain and compression ends for convenient installation onto copper tubing. Constructed of no lead binary brass. Configuration and Sizes: Compression x Compression 1/2", 3/4", & 1". Third party certified no lead ANSI/NSF 61-G, IAPMO.