

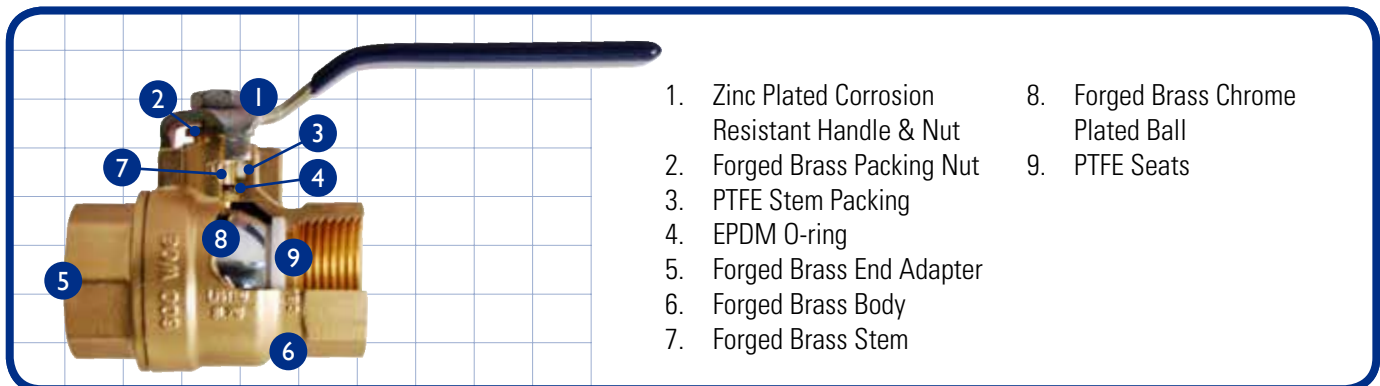
FULL PORT BALL VALVES

T/S-2000 Ball Valve

The 2000 series ball valve have both a PTFE packing gland with nut and an EPDM O-ring seal stem design. The full port ball valve body, end adaptor and chrome plated ball are constructed of forged brass. The stem is bottom loaded, thus blow-out proof. The EPDM O-ring stem and PTFE seats reduce friction when actuating the valve making it easier to turn. The vinyl covered, zinc plated steel handle and nut resists corrosion. The 2000 series ball valves have a large pattern body for tremendous durability in various residential, commercial and industrial applications. The 2000 Series valve design is offered in a several configurations and brass alloys for a wide range of uses in potable water and gas systems. Every valve is pressure tested at the ISO certified manufacturing facility. The T/S-2000NL valve in sizes 1/4" - 1" have a no lead forged brass ball; whereas, valve sizes 1-1/4" - 4" have a 304 stainless steel ball.



- Saturated Steam (WSP): 150 PSI
- Cold Working Pressure (CWP): 600 PSI (1/4" - 2"); 400 PSI (2-1/2" - 4").
- Conforms to MSS Standard Practice 110.
- Threaded end connections comply with ANSI/ASME B1.20.1
- Solder end connections comply with ANSI/ASME B16.18



T/S-2000 Forged Brass Full Port Ball Valve



The T/S-2000 full port ball valve has a larger pattern body suitable for most any application. The EPDM O-ring and PTFE packing gland stem assures reliable and smoother operation requiring less torque to operate. The PTFE seats reduce friction thus improving the long life of the valve. The ball is chrome plated brass. The nickel plated handle is corrosion resistant. Available in sizes and configurations 1/4" - 4", FNPT x FNPT and 1/2" - 4", Sweat x Sweat.

- T-2000 CSA Certified for use with natural, manufactured, mixed, liquid petroleum, and LP gas/air mixtures: 1/2 lb (1/2" - 2"); 2 lb and 5 lb (1/4", 1/2" - 4").
- T-2000 UL Listed 3LZW for LP, natural and manufactured gases; to 250 PSI maximum.
- Factory Mutual approved for fire protection service (1/4" - 2" FNPT x FNPT & 1/2" - 2" Sweat x Sweat).

T/S-2000NL No Lead Forged Brass Full Port Ball Valve



The T/S-2000NL no lead brass full port ball valve has a larger pattern body suitable for most any application. Constructed of no lead & DZR binary brass alloy. Available in sizes and configurations 1/4" - 4", FNPT x FNPT and 1/2" - 4", Sweat x Sweat.

- Third party certified no lead ANSI/ NSF 61-G, UPC/IAPMO
- T-2000NL CSA Certified for use with natural, manufactured, mixed, liquid petroleum, and LP gas/air mixtures: 1/2 lb (1/2" - 3"); 2 lb and 5 lb (1/4", 1/2" - 2").
- T-2000NL ANSI/ASME B16.33 for use in gas piping systems up to 125 psig (1/2" - 2").
- T-2000NL UL Listed 3LZW for LP, natural and manufactured gases; to 250 PSI maximum.
- Factory Mutual approved for fire protection service (1/4" - 2" FNPT x FNPT & 1/2" - 2" Sweat x Sweat).

T/S-2102NL No Lead Forged Brass Full Port Ball Valve with Drain



T/S-2102NL no lead brass full port ball valve with drain is ideal for maintenance and freeze protection. The EPDM O-ring and PTFE packing gland stem assures reliable and smoother operation requiring less torque. Constructed of no lead & DZR binary brass alloy. 1/2" - 1", FNPT x FNPT and 1/2" - 1", Sweat x Sweat.

- Third party certified no lead ANSI/NSF 61-G, UPC/IAPMO.
- Saturated Steam (WSP): not suitable for steam applications.
- Cold Working Pressure (CWP): 600 PSI.

T/S-2001NL No Lead Forged Brass Waterball™ Full Port Ball Valve



The T/S-2001NL is a smaller pattern full port ball valve designed exclusively for potable water applications in compliance with the no lead law. Constructed of no lead & DZR binary brass alloy that requires no additional steps to solder as compared to traditional brass. Available in sizes and configurations 1/2" - 2", FNPT x FNPT and 1/2" - 2", Sweat x Sweat.

- Third party certified no lead ANSI/NSF 61-G, UPC/IAPMO.
- Saturated Steam (WSP): not suitable for steam applications.
- Cold Working Pressure (CWP): 600 PSI.

SUBMITTAL SHEET

JOB NAME	ITEM TAG
JOB LOCATION	PART NUMBER
CONTRACTOR	DATE
ENGINEER APPROVAL	DATE

LEAD FREE FORGED BRASS FULL PORT BALL VALVE

T/S-2000 No-Lead



Lead-free design is suitable for all no-lead potable water installations, in full compliance of all lead-free plumbing laws.

Dezincification-resistant (DZR) forged brass resists corrosion from exposure to a wide variety of water conditions.

Bottom-loaded, blowout-proof stem features a dual-seal PTFE packing and EPDM rubber O-ring design, assuring positive sealing under a multitude of conditions.

Self-cleaning chrome-plated ball resists mineral build-up and scaling typically found in harsh, varying water conditions.

Multiple certifications make the 2000NL series a multi-purpose valve, suitable for new or repair installations of plumbing or gas systems.

Stainless steel lever handles and handle nuts available (sold separately).

Available in female pipe thread (FNPT) sizes 1/4" to 4" and female sweat tubing (Sweat) sizes 1/2" to 4".

Working Pressure, Non-Shock (PSI)

Cold working pressure (CWP): 1/4" - 2" **600 CWP**
2-1/2" - 4" **400 CWP**

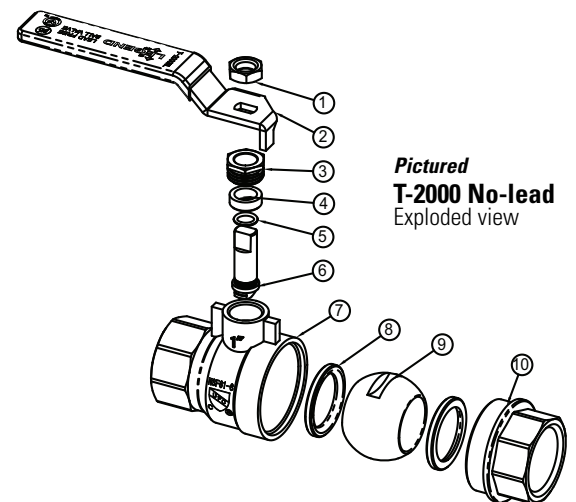
Saturated Steam: **150 PSI**

- Third-party tested and certified in compliance with U.S. Federal Public Law 111-380 (National lead-free plumbing law).
- UPC / IAPMO certified to ANSI / NSF Standard 61 Annex G: Meets NSF 372 lead content requirements.
- UL Listed 3LZW for LP, natural and manufactured gases to 250 psi maximum:
 - YQNZ.MH45831 Compressed gas shutoff valves
 - YRBX.MH45831 Flammable liquid shutoff valves
 - YRPV.MH45831 Gas shutoff valves
 - YSDT.MH45831 LP gas shutoff valves
 - MHKZ.MH45831 Manual valves
- CSA Certified for use with natural, manufactured, mixed, liquid petroleum and LP gas/air mixtures:
 - ANSI Standard Z21.15 for use as a gas appliance connector valve for 1/2-lb systems (1/4" to 2")
 - CSA Certified for use in 2 or 5 lb house piping systems (1/4" to 2")
 - ANSI/ASME B16.33 for use in gas piping systems up to 125 PSIG (1/2" to 2")
- Conforms to MSS SP-110
- End connections comply with ANSI / ASME B1.20.1 and ASME B16.18
- Manufactured in an ISO accredited facility

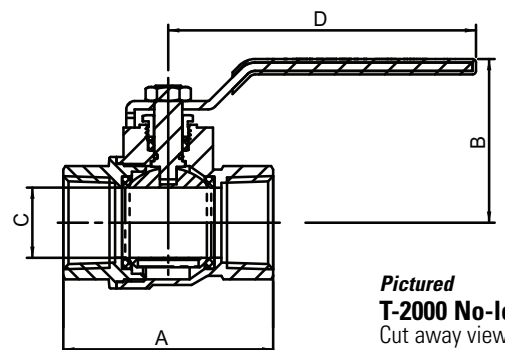


DIMENSIONS					
Size	A (IPS)	A (CxC)	B	C	D
1/4"	1.73		1.42	0.39	3.19
3/8"	1.73		1.42	0.39	3.19
1/2"	2.17	2.05	1.66	0.57	3.74
3/4"	2.46	2.76	1.90	0.75	3.74
1"	2.95	3.33	2.30	0.98	4.33
1-1/4"	3.39	3.86	2.70	1.26	5.12
1-1/2"	3.78	4.45	2.91	1.54	5.12
2"	4.33	5.47	3.48	1.95	6.34
2-1/2"	5.55	6.46	4.65	2.50	9.45
3"	6.38	7.52	5.02	3.03	9.45
4"	7.54	9.49	5.93	3.94	9.45

MATERIAL SPECIFICATION		
PART	MATERIAL	SPECIFICATION
1	Handle nut	Zinc plated steel ASME SA6, SA283 Grade C
2	Lever handle	Zinc plated steel ASME SA6, SA283 Grade C
3	Packing nut	Forged brass ASTM B455 UNS C38500
4	Stem packing	PTFE FR101 resin
5	Stem O-ring	EPDM rubber Commercial grade
6	Stem	Lead-free forged brass UNS Alloy C46500
7	Body	Lead-free forged brass UNS Alloy C46500
8	Seats (2)	PTFE FR101 resin
9	Ball	Lead-free chrome plated forged brass: 1/4" - 1" Stainless steel: 1-1/4" - 4" UNS Alloy C46500 AISI Grade 304
10	End adapter	Lead-free forged brass UNS Alloy C46500



Pictured T-2000 No-lead
Exploded view



Pictured T-2000 No-lead
Cut away view