

# KOHLER® SERVICE PARTS

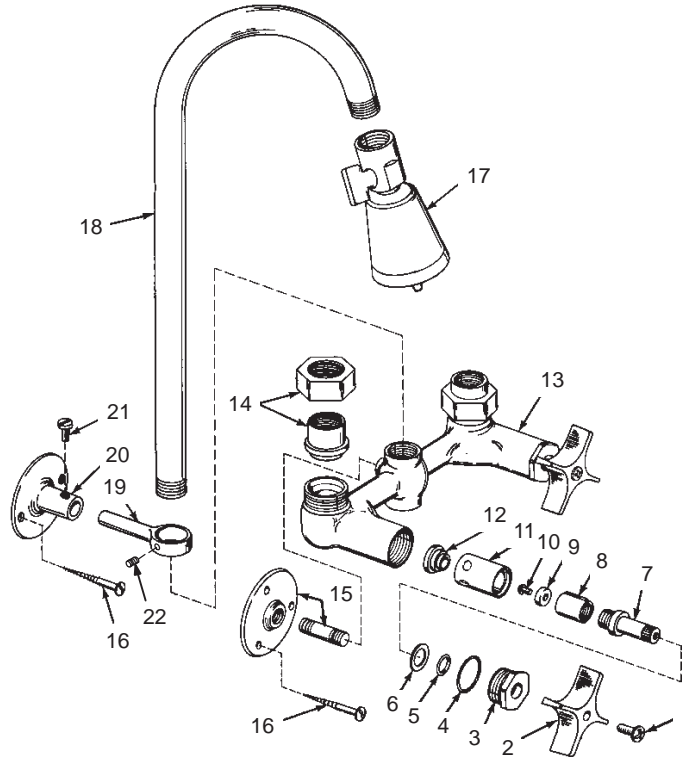
## BATH AND SHOWER FITTINGS

**K-7252** EXPOSED SHOWER VALVE ASSEMBLY WITH SHOWERHEAD  
**K-7254** EXPOSED SHOWER VALVE ASSEMBLY WITH SHOWERHEAD AND REVERSIBLE YOKE (ILLUSTRATED)  
**K-7258** EXPOSED SHOWER VALVE ASSEMBLY WITH SHOWERHEAD AND REVERSIBLE YOKE (GALVANIZED RISER AND ROUGH PLATED BODY)

ORDER BY KIT NUMBER OR PART NUMBER, NOT ITEM NUMBER OR KIT LETTER.

### Ordering Options

Item	Part No. or Kit
1	A
2	B
3	34365
4, 5, 6	C, D
7, 8	C
9, 10	C, D
11	C
12	C, D
13	*
14	E
15	F
16	24085‡**, G
17	K-7370‡■
18	24576‡
19, 20, 21, 22	G



### Kit Ordering Information

Kit	Kit Part No.	Kit Name
A	30105‡	Screw
B	30015‡	Aquaric Chrome Handle
C	30002	Valve Replacement
D	30294	Valve Rebuilding
E	30213‡	Union S.A.
F	30214‡	Flange S.A.
G	29863‡	Support Assembly

### Kit Contents

2 ea., Item 1  
 1 ea. Hot, 1 ea. Cold; Item 2  
 1 ea., Items 4 thru 12  
 2 ea., Items 4, 5, 6, 9, 10, and 12  
 2 ea., Item 14  
 1 ea., Item 15  
 2 ea., Item 16; 1 ea., Items 19, 20, 21, 22

### KITS MAY INCLUDE EXTRA PARTS

#### NOTES:

- \* Not available as a service part.
- \*\* 5 required, #24085‡ equals 1 screw.

#### LEGEND:

- ‡ Specify Finish.
- Parts further exploded in catalog; see INDEX.