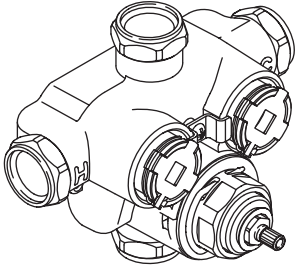


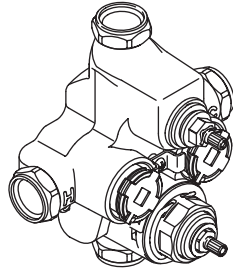
Homeowners Guide

Thermostatic Mixing Valve

K-669, K-679



K-670, K-680



M product numbers are for Mexico (i.e. K-12345**M**)
Los números de productos seguidos de
M corresponden a México (Ej.
K-12345**M**)
Français, page "Français-1"
Español, página "Español-1"

1041158-5-C

THE BOLD LOOK
OF **KOHLER**®

IMPORTANT INSTRUCTIONS

READ AND SAVE FOR THE CONSUMER



WARNING: Risk of scalding or other severe injury.



CAUTION: Risk of scalding hazard. This device has been calibrated at the factory to ensure a safe maximum water temperature. Any variance in settings or water inlet conditions from those used during factory calibration may raise the discharge temperature above the safe limit, and may present a scalding hazard.

- Before completing installation, the installer must set the maximum water temperature setting of this valve to minimize the risks associated with scalding hazards according to ASTM F 444.

The installer is responsible for adjusting the maximum water temperature of this valve according to instructions.

This valve meets or exceeds ANSI A112.18.1 and ASSE 1016.

If you do not understand any of the temperature adjustment instructions in this document, in the United States please contact our Customer Service Department at **1-800-4-KOHLER**. Outside the U.S., please contact your distributor.

IMPORTANT NOTICE: Please fill in the blanks below and on the valve label. Retain this Homeowners Guide for future reference.

- The valve is calibrated to 104° F (40° C) at the first stop position, and the maximum temperature limit stop is positioned so the outlet water temperature does not exceed 120° F (49° C).
- Factory calibrated inlet conditions are:
Hot and cold water pressure = 45 psi (3.2 kgcm²)
Hot water supply temperature = 145° F (63° C)
Cold water supply temperature = 65° F (18° C)
- If inlet conditions differ from those used during factory calibration, it may be necessary to re-calibrate the valve after installation. **The installer must check the mixed flow temperature after installation, and adjust the valve as needed according to the instructions.**

IMPORTANT INSTRUCTIONS (cont.)

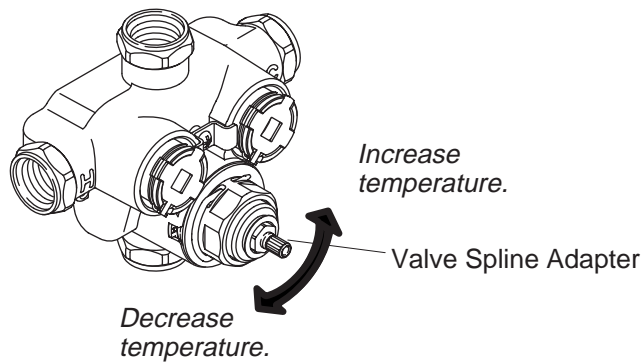
NOTICE TO HOMEOWNERS! This device has been preset by _____ of _____ to ensure a safe maximum temperature. Any change in the setting may raise the discharge temperature above the limit considered safe, and lead to scalds.
Date: _____

Thank You For Choosing Kohler Company

Thank you for choosing the Bold Look of Kohler. Kohler craftsmanship offers you a rare combination of proven performance and graceful sophistication that will satisfy you for years to come. The dependability and beauty of your Kohler product will surpass your highest expectations. We're very proud of our products here at Kohler and we know you will be too.

Please take a few minutes to study this Homeowners Guide. Pay special attention to the care and cleaning instructions.

All information in this manual is based upon the latest product information available at the time of publication. At Kohler, we constantly strive to improve the quality of our products. We reserve the right to make changes in product characteristics, packaging or availability at any time without notice.



Verify the Temperature Settings

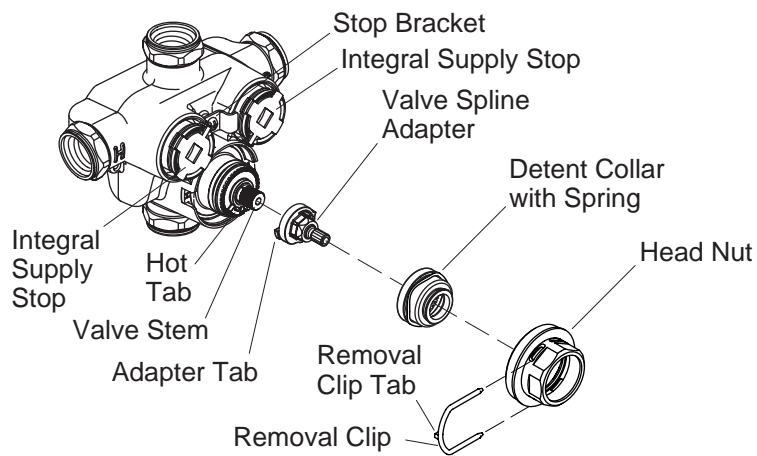
⚠ CAUTION: Risk of personal injury. The water temperature should never be set above 120° F (49° C).

NOTE: The thermostatic valve cartridge is calibrated at the factory for a shower temperature of approximately 104° F (40° C) to 105° F (41° C) and a maximum hot temperature of 120° F (49° C).

- Turn the water on.
- Attach a trim handle or plaster guard (found in volume control valve K-671 or K-681 or transfer valve K-672) onto the valve spline adapter.
- Turn the valve spline adapter fully counterclockwise so the trim handle or plaster guard can no longer move. The valve spline adapter is now in the full hot position.
- Allow the water to run for several minutes to stabilize the water supply temperatures.
- Position a thermometer in the water stream to check the temperature of the hot water.
- If the water temperature exceeds 120° F (49° C) or is less than desired, proceed to the "Hot Temperature Adjustment" section.
- Turn the trim handle or plaster guard clockwise until you hear a click. Do not turn any farther. This is the shower temperature position.

Verify the Temperature Settings (cont.)

- Remove the trim handle or plaster guard from the valve spline adapter.
- Position a thermometer in the water stream to check the shower temperature.
- If the water temperature is less than 104° F (40° C) to 105° F (41° C) or is more than desired, proceed to the "Shower Temperature Adjustment" section.
- If both settings are correct, fill out the "Notice to Homeowners" section of this Homeowners Guide.



Hot Temperature Adjustment

CAUTION: Risk of product damage. Do not overtighten the head nut. Excessive torque may damage the head nut.

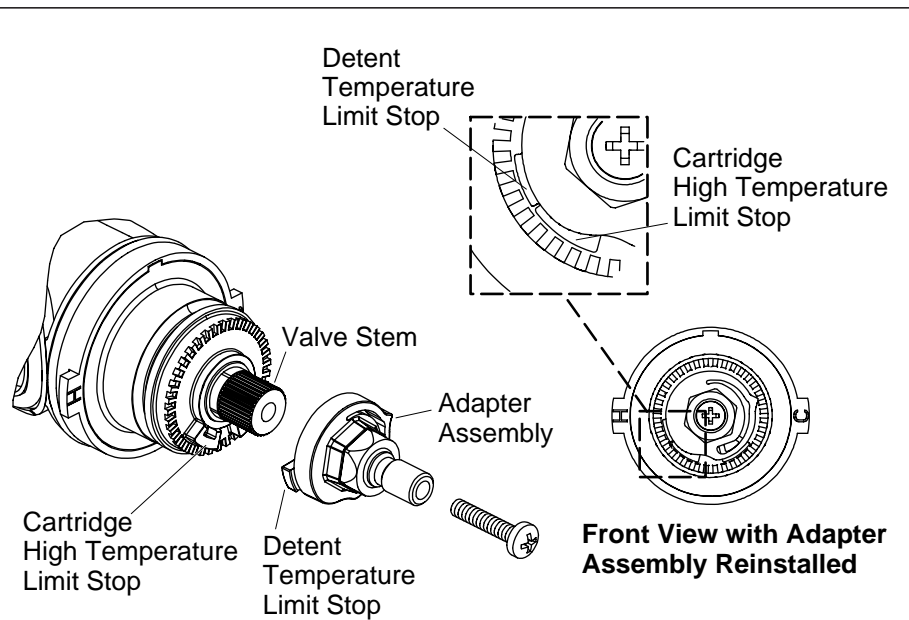
- Turn both integral supply stops outward until they contact the stop bracket.
- Detach the removal clip from the head nut.
- Remove the head nut from the assembly by turning the head nut counterclockwise.
- Remove the detent collar with the spring from the cartridge.
- Remove the valve spline adapter.

NOTE: The spring on the detent collar may fall off. Reattach the spring around the detent collar if this occurs.

- Turn the valve stem fully counterclockwise.

NOTE: Leave the detent collar off while making adjustments.

- Reinstall the head nut to the valve casting. Hand tighten the head nut until the shoulder of the head nut contacts the lip of the valve casting.
- Turn both integral supply stops inward.
- Turn on the water using the volume control valve (not shown).
- Allow the water to flow for several minutes to stabilize the water temperature.

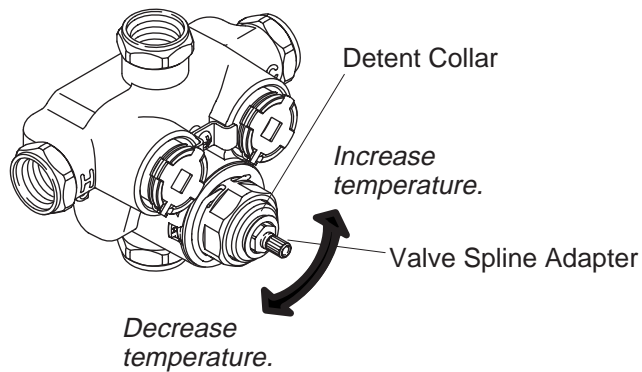


Hot Temperature Adjustments (continued)

- Insert a thermometer into the water stream to verify the water temperature.
- Turn the valve stem clockwise until the maximum 120° F (49° C) temperature is reached.
- Reinstall the valve spline adapter with the adapter tab placed flush against the left side of the hot tab on the cartridge.
- Reinstall the valve spline adapter in this position over the valve stem.
- Shut off the volume control.
- Turn both integral supply stops outward until they contact the stop bracket.
- Open and close the volume control (not shown) to relieve pressure that has built up in the valve.
- Remove the head nut from the assembly by turning the head nut counterclockwise.
- Reinstall the detent collar. Be sure the spring is resting on top of the detent collar.
- Reinstall the head nut onto the assembly until hand-tight. Do not overtighten.

Hot Temperature Adjustments (continued) (cont.)

- Reattach the removal clip to the head nut. The tab on the removal clip should be facing inward.
- Turn both integral supply stops inward.
- Verify the temperature. Repeat the above steps if necessary.
- Proceed to the "Shower Temperature Adjustment" section of this guide.



Shower Temperature Adjustment

NOTE: To ensure the correct shower temperature, first turn the valve spline adapter to the full hot position then adjust the shower temperature.

- Place the trim handle (not shown) or plaster guard (not shown) onto the valve spline adapter.
- Turn the valve spline adapter fully counterclockwise so the trim handle or plaster guard can no longer move. The valve spline adapter is now in the full hot position.
- Next, turn the trim handle or plaster guard clockwise until you hear a click. Do not turn any farther. This is the shower temperature position.
- If no click is heard or felt, detach the trim handle. Pull out and rotate the detent collar 180° until it snaps back into place. Reattach the trim handle and repeat the steps above to find the shower temperature position.
- Remove the trim handle or plaster guard from the valve spline adapter.
- Allow the water to run for a few minutes to stabilize the temperature.
- Hold a thermometer in the water stream to check the water temperature.

If the temperature is less than 104° F (40° C):

- Pull out the detent collar.

Shower Temperature Adjustment (cont.)

- Turn the detent collar counterclockwise.
- Verify the temperature.

If the temperature is greater than 105° F (41° C):

- Pull out the detent collar.
- Turn the detent collar clockwise.
- Verify the temperature.
- Repeat the steps above until the desired temperature is achieved.

Troubleshooting Procedures

This troubleshooting guide is for general aid only. For warranty service, contact your dealer or wholesale distributor.

Symptoms	Probable Cause/Recommended Action
1. Only hot or cold water from outlet.	a. Inlet supplies are reversed. See "Reversed Inlet Supplies" section of the Installation Guide. b. No hot water reaching shower control. c. Check filter screens for blockage.
2. Fluctuating or reduced flow rate.	Normal function of thermostatic control when operating conditions are unsatisfactory. a. Check filter screens for flow restriction. b. Make sure that the minimum flow rate is sufficient for supply conditions. c. Make sure that dynamic inlet pressures are nominally balanced and sufficient. d. Make sure that inlet temperature differentials are sufficient. e. Service stops are not fully threaded in. Rotate both service stops until fully threaded. f. Check thermostatic performance; renew thermostatic cartridge, if necessary.

Troubleshooting Procedures (cont.)	
Symptoms	Probable Cause/Recommended Action
3. No flow from shower control outlet.	a. Check filter screens for blockage. b. Hot or cold supply failure; thermostat holding correct shutdown function. c. Flow control cartridge does not work. Check and replace if necessary. d. Service stops are shut off. Rotate both counterclockwise.
4. Blend temperature drift.	Indicates operating conditions changed. a. Refer to symptom 2 above. b. Hot supply temperature fluctuation. c. Supply pressure fluctuation.
5. Hot water in cold supply or cold water in hot supply.	Indicates crossflow. Replace check valve.
6. Maximum blend temperature setting too hot or too cold.	a. Indicates incorrect maximum temperature setting; refer to the "Adjust Temperature Settings" section. b. As symptom 4 above c. As symptom 5 above.
7. Water leaking from the valve body.	Seal(s) worn or damaged. a. Obtain service kit and replace seal(s). b. If leaking from around the temperature spindle, replace the thermostatic cartridge.
8. Flow knob or temperature knob is stiff to operate.	a. Impaired free movement of internal components. Renew the appropriate cartridge. b. Supply pressures are too high. Fit pressure reducing valve.
Lifetime Limited Warranty — USA and Canada	
Kohler Co. warrants its faucets manufactured after January 1, 1997, to be leak and drip free during normal residential use for as long as the original consumer purchaser owns his/her home. *If the faucet should leak or drip during normal use, Kohler will, free of charge, mail to the purchaser the cartridge necessary to put the faucet in good working condition.	

Lifetime Limited Warranty — USA and Canada (cont.)

Kohler also warrants all other aspects of the faucet, except gold finish, to be free of defects in material and workmanship during normal residential use for as long as the original consumer purchaser owns his/her own home. If a defect is found in normal residential use, Kohler Co. will, at its election, repair, provide a replacement part or product, or make appropriate adjustment. Damage to a product caused by accident, misuse, or abuse is not covered by this warranty. Proof of purchase (original sales receipt) must be provided to Kohler with all warranty claims. Kohler Co. is not responsible for labor charges, installation, or other consequential costs. In no event shall the liability of Kohler exceed the purchase price of the faucet.

If the faucet is used commercially, Kohler warrants the faucet to be free from defects in material and workmanship for one (1) year from the date the product is installed, with all other terms of this warranty applying except duration.

If you believe that you have a warranty claim, contact Kohler Co., either through your Dealer, Plumbing Contractor, Home Center or E-tailer, or by writing: Kohler Co., Attn.: Customer Service Department, 444 Highland Drive, Kohler, WI 53044, USA. Please be sure to provide all pertinent information regarding your claim, including a complete description of the problem, the product, model number, color, finish, the date the product was purchased and from whom the product was purchased. Also include your original invoice. For other information, or to obtain the name and address of the service and repair facility nearest you, call 1-800-4-KOHLER from within the USA, 1-800-964-5590 from within Canada and 001-877-680-1310 from within Mexico.

The foregoing warranties are in lieu of all other warranties, express or implied, including but not limited to the implied warranties of merchantability and fitness for a particular purpose.

Seller disclaims any liability for special, incidental or consequential damages. Some states/provinces do not allow limitations of how long an implied warranty lasts or the exclusion or limitation of such damages, so these limitations and exclusions may not apply to you. This warranty gives the consumer specific legal rights. You may also have other rights that vary from state/province to state/province. This warranty is to the original consumer purchaser only, and excludes product damage due to installation error, product abuse, or product misuse, whether performed by a contractor, service company, or the consumer.

This is our exclusive written warranty.

*Trend® faucets, MasterShower™ Tower, polished gold finish, all items within the "Fixture Related" section of the KOHLER Faucets Price

Lifetime Limited Warranty — USA and Canada (cont.)

Book, drains, Duostrainer[®] sink strainers, soap/lotion dispensers and faucets used in commercial settings are covered by Kohler's one-year limited warranty.

One-Year Warranty — Mexico

For Mexico Only

KOHLER CO.

It is recommended that at the time of purchase, you verify that all accessories and components are complete in this package.

This Kohler product is warranted to be free of defects in material and workmanship for one (1) year from the date of purchase as shown on the invoice or receipt.

1. Kohler Co. will only service its commercialized products through its authorized distributors.
2. To obtain warranty service, please present the invoice and corresponding warranty.
3. Through its authorized distributors, Kohler Co. promises to repair the defective product or provide a new replacement or an equivalent model (in those cases that the model has been discontinued) when the product is beyond repair, without any charge to the consumer.
4. The time of repair will not exceed six (6) weeks commencing on the date the product is received.
5. It is recommended that the consumer save the invoice or receipt as additional protection, as it may substitute the warranty in the case that there is a discrepancy in the validity of the warranty.

EXCEPTIONS AND RESTRICTIONS

The Warranty will not be valid in the following cases:

1. When the product is not operated in accordance with the instructions concerning use and operation set forth in the owner's manual or installation instructions, and when the recommendations and warnings included are not observed.
2. When the product has been modified or dismantled partially or totally; or has been used in a negligent fashion and as a consequence has suffered damages attributable to the consumer, individual, or hardware not authorized by Kohler Co.
3. This warranty does not cover the damages as a result of disaster such as fire or acts of God, including flooding, earthquake, or electric

One-Year Warranty — Mexico (cont.)

storms, etc. To obtain a list of distributors in your area where you can exercise your rights under this warranty, please call 001-877-680-1310.

KOHLER CO., KOHLER, WI 53044 U.S.A.

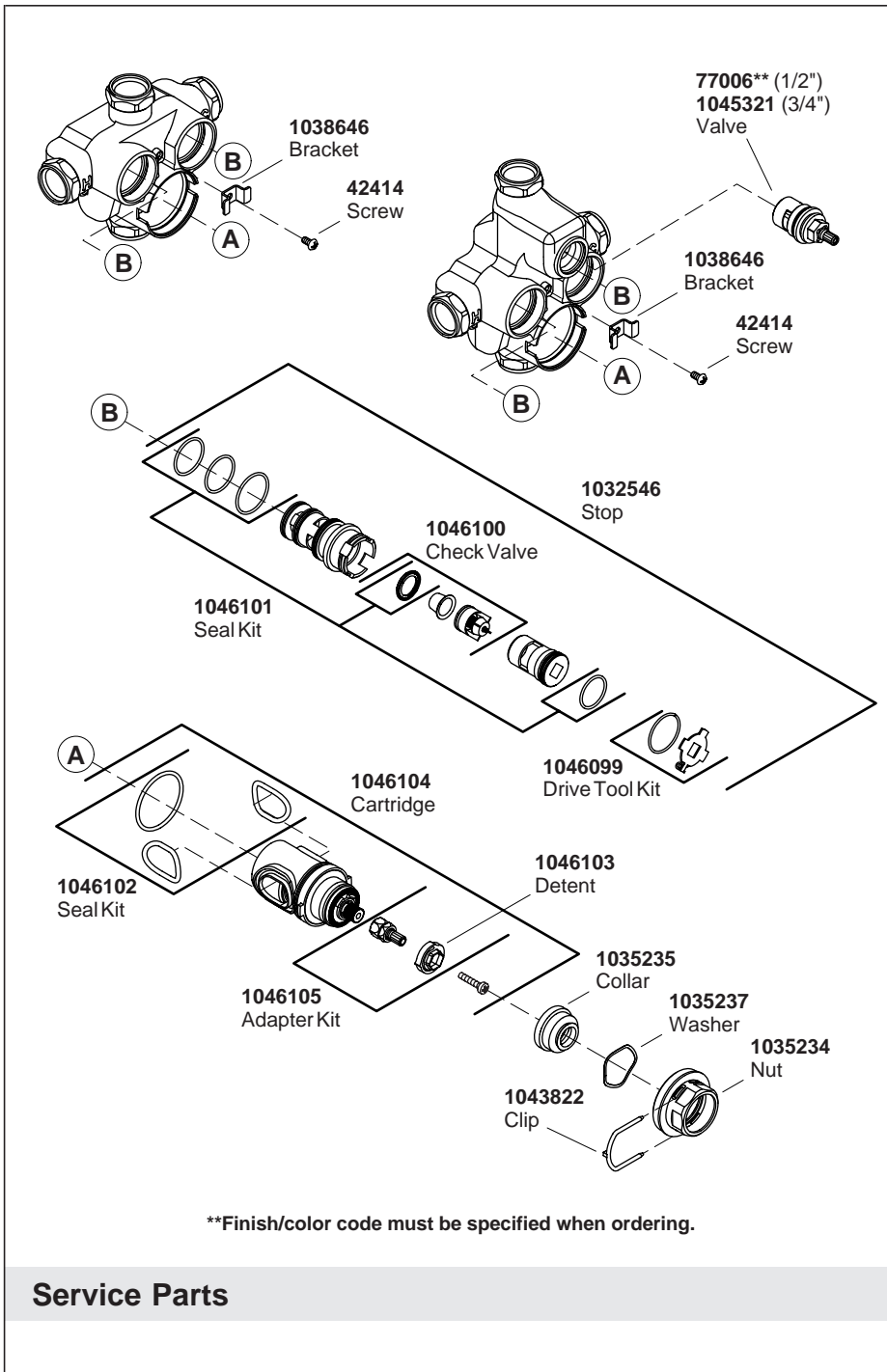
IMPORTER:

INTERNACIONAL DE CERÁMICA, S.A. DE C.V.

AV. CARLOS PACHECO NO. 7200

CHIHUAHUA, CHIH., MEXICO C.P. 31060

TEL: 52 (14) 29-11-11



Service Parts

Guide du propriétaire

Mitigeur
thermostatique

INSTRUCTIONS IMPORTANTES

À LIRE ET À LAISSER AU CLIENT



AVERTISSEMENT : Risque de brûlures ou autres blessures graves.



ATTENTION : Risque de brûlures. Ce dispositif a été calibré en usine pour assurer une température maximale sécurisée. Toute variation des réglages ou conditions d'arrivée d'eau de celles de calibration en usine pourrait augmenter la température de décharge au-delà de la limite sécurisée et causer des brûlures.

- Avant de commencer l'installation, l'installateur doit régler la température maximale de l'eau de cette valve pour réduire au minimum les risques de brûlures, ceci conformément à la norme ASTM F 444.

L'installateur est responsable du réglage de la température maximale de l'eau fournie par cette valve selon les instructions.

Cette valve satisfait ou excède les exigences des normes ANSI A112.18.1M et ASSE 1016.

S'il ne vous est pas possible de comprendre les instructions de réglage de température dans ce document, veuillez contacter notre département du service clientèle aux États-Unis. **1-800-4-KOHLER**. A l'extérieur des États-Unis, veuillez contacter votre distributeur.

AVIS IMPORTANT: Veuillez s'il vous plaît remplir l'espace ci-dessous et l'étiquette de la valve. Conserver ce guide du propriétaire pour future référence.

- Le robinet est calibré à 104° F (40° C) à la première position d'arrêt et la butée de température maximale est positionnée de manière à ce que la température ne puisse excéder 120° F (49° C).
- Les conditions d'entrées calibrées en usine sont:
Pression d'eau chaude et d'eau froide = 45 psi (3,2 Kg/cm²)
Température d'alimentation de l'eau chaude = 145° F (63° C)
Température d'alimentation de l'eau froide = 65° F (18° C)

INSTRUCTIONS IMPORTANTES (cont.)

- Si les conditions d'entrée diffèrent de celles de calibration en usine, il peut être nécessaire de re-calibrer la valve après l'installation. **L'installateur doit vérifier le débit mélangé de température d'eau après installation, puis régler la valve selon les instructions.**

AVIS AUX PROPRIÉTAIRES! Ce dispositif a été pré-réglé par _____ de _____ pour assurer une température maximale sécurisée. Toute modification de ce réglage peut augmenter la température d'évacuation au-delà de la limite considérée de sécurité et causer des brûlures.

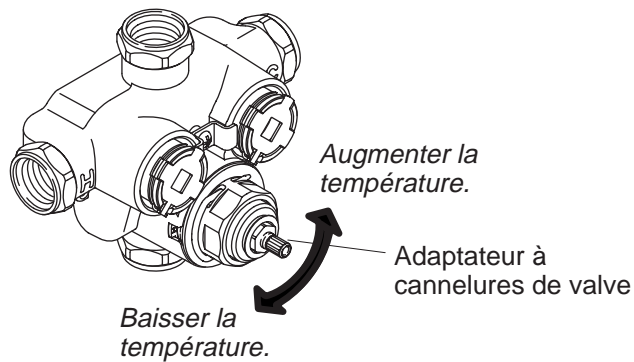
Date: _____

Merci d'avoir choisi la compagnie Kohler

Merci d'avoir choisi la ligne The Bold Look of Kohler. Le travail soigné des artisans de Kohler vous fera apprécier une rare combinaison de performances prouvées et une sophistication gracieuse, qui vous satisferont pour les années à venir. La fiabilité et la beauté de votre robinet Kohler surpasseront vos plus grandes espérances. Chez Kohler, nous sommes fiers du rendement de nos produits et nous savons que vous le serez aussi.

Veillez prendre s'il vous plaît quelques minutes pour consulter ce guide du propriétaire. Prêter une attention toute particulière aux instructions d'entretien et de nettoyage.

Tous les renseignements contenus dans ce manuel ont été revus et corrigés avant sa publication. Chez Kohler, nous veillons constamment à améliorer la qualité de nos produits. Nous nous réservons le droit d'apporter des modifications aux caractéristiques, emballages et disponibilités des produits à tout moment, et ce sans préavis.



Vérifier les réglages de température

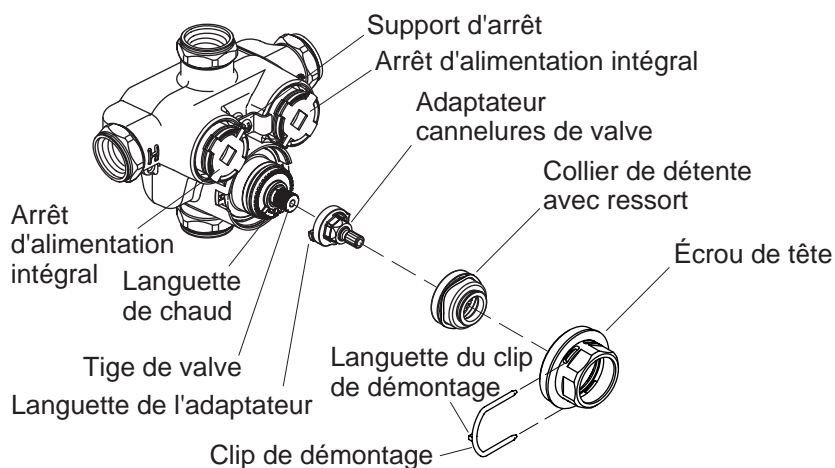
⚠ ATTENTION : Risque de blessure corporelle. La température de l'eau ne devrait jamais être supérieure à 120° F (49° C).

REMARQUE : La cartouche de la valve thermostatique est calibrée en usine pour une température de douche d'approximativement 104° F (40° C) à 105° F (41° C) et une haute température chaude maximum de 120° F (49° C).

- Ouvrir l'eau.
- Attacher une poignée de garniture ou renfort de plâtre (localisé dans la valve de contrôle de volume K-671 ou K-681 ou encore la valve de transfert K-672), sur l'adaptateur à cannelures de valve.
- Tourner l'adaptateur à cannelures de valve complètement vers la gauche afin que la poignée de garniture ou renfort de plâtre ne bouge plus. L'adaptateur à cannelure de valve est maintenant en position maximale chaude.
- Laisser couler l'eau pendant plusieurs minutes pour stabiliser les températures d'alimentation d'eau.
- Positionner un thermomètre dans le courant d'eau pour vérifier la température d'alimentation d'eau chaude.
- Si la température d'eau excède 120° F (49° C) ou est moins que désiré, procéder à la section "Réglage de température chaude".

Vérifier les réglages de température (cont.)

- Tourner la poignée de garniture ou le renfort de plâtre vers la droite jusqu'à entendre un clic. Ne pas tourner plus. Ceci est la position de température de douche.
- Retirer la poignée de garniture ou le renfort de plâtre de l'adaptateur à cannelures de la valve.
- Placer un thermomètre dans le courant d'eau et vérifier la température de douche.
- Si la température est moins de 104° F (40° C) à 105 ° F (41° C) ou plus que désiré, procéder à la section "Réglage de température de douche".
- Si les deux réglages sont corrects, remplir la section "Notice aux propriétaires" de ce guide du propriétaire.



Réglage de la température chaude



ATTENTION : Risque d'endommagement du produit. Ne pas trop serrer l'écrou de tête. Un serrage excessif pourrait endommager l'écrou de tête.

- Pivoter les deux arrêts d'alimentation intégrale vers l'extérieur jusqu'à ce qu'ils soient en contact avec le support d'arrêt.
- Retirer le clip de démontage de l'écrou de tête.
- Retirer l'écrou de tête de l'ensemble en le pivotant vers la gauche.
- Retirer le collier de détente avec le ressort de la cartouche.
- Retirer l'adaptateur à cannelures de la valve.

REMARQUE : Le ressort du collier de détente pourrait tomber. Rattacher le ressort autour de l'écrou de détente si cela se produit.

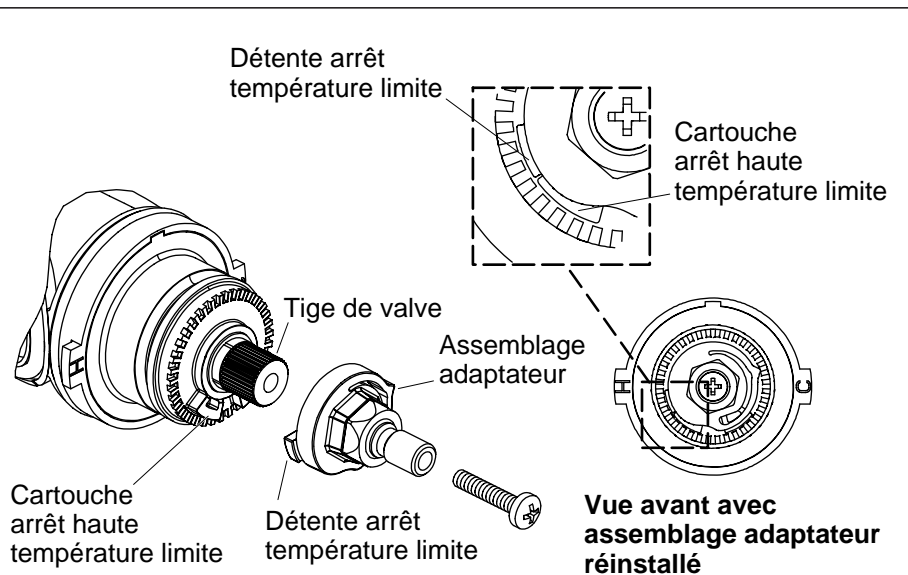
- Tourner la tige de la valve complètement vers la gauche.

REMARQUE : Laisser le collier de détente lors des réglages.

- Ré-installer l'écrou de tête au moulage de la valve. Serrer à la main l'écrou de tête jusqu'à ce que son coude contacte la lèvre du moulage de valve.
- Tourner les deux arrêts d'alimentation intégrale vers l'intérieur.
- Ouvrir l'alimentation d'eau en utilisant la valve de contrôle de volume (non illustrée).

Réglage de la température chaude (cont.)

- Laisser couler l'eau pendant plusieurs minutes pour stabiliser la température d'eau.

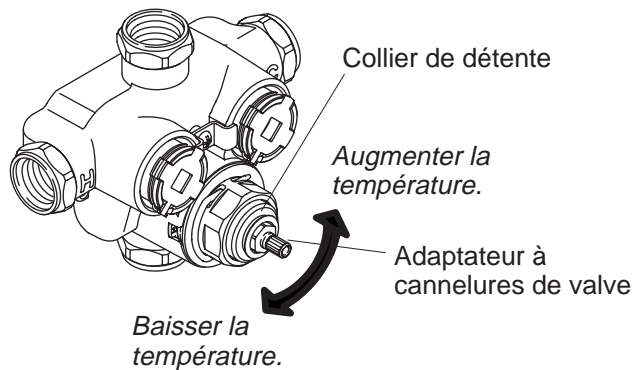


Réglages de température chaude (suite)

- Insérer un thermomètre dans le courant d'eau pour vérifier la température de l'eau.
- Pivoter la tige de valve vers la droite jusqu'à ce que la température maximum de 120° F (49° C) soit atteinte.
- Installer à nouveau l'adaptateur à cannelures de la valve avec sa languette contre le côté gauche de la languette de chaud sur la cartouche.
- Réinstaller l'adaptateur à cannelures de la valve dans cette position sur la tige de la valve.
- Fermer le contrôle de volume.
- Pivoter les deux arrêts d'alimentation intégrale vers l'extérieur jusqu'à ce qu'ils soient en contact avec le support d'arrêt.
- Ouvrir et fermer le contrôle de volume (non illustré) pour libérer la pression accumulée dans la valve.
- Retirer l'écrou de tête de l'ensemble en le pivotant vers la gauche.
- Réinstaller le collier de détente. S'assurer que le ressort repose au-dessus du collier de détente.
- Installer à nouveau l'écrou de tête sur l'ensemble jusqu'au serrage à main. Ne pas trop serrer.

Réglages de température chaude (suite) (cont.)

- Rattacher le clip de démontage de l'écrou de tête. La languette du clip de démontage devrait faire face vers l'intérieur.
- Tourner les deux arrêts d'alimentation intégrale vers l'intérieur.
- Vérifier la température. Répéter les étapes ci-dessus si nécessaire.
- Procéder à la section "Réglage de la température de douche" de ce guide.



Réglage de la température de douche

REMARQUE : Afin d'assurer la température correcte de douche, d'abord tourner l'adaptateur à cannelures de valve en position d'eau chaude complète puis ajuster la température de douche.

- Placer la poignée de garniture ou le renfort de plâtre (non illustré) sur l'adaptateur à cannelures de la valve.
- Tourner l'adaptateur à cannelures de valve complètement vers la gauche afin que la poignée de garniture ou renfort de plâtre ne bouge plus. L'adaptateur à cannelure de valve est maintenant en position maximale chaude.
- Ensuite, tourner la poignée de garniture ou le renfort de plâtre vers la droite jusqu'à entendre un clic. Ne pas tourner plus. Ceci est la position de température de douche.
- Si ne pas entendre un clic, retirer la poignée de garniture. Tirer sur le collier de détente 180° en place. Installer la garniture de poignée et répéter les procédures ci-dessus jusqu'à ce que la température désirée soit atteinte.
- Retirer la poignée de garniture ou le renfort de plâtre de l'adaptateur à cannelures de la valve.
- Laisser couler l'eau pendant plusieurs minutes pour stabiliser la température.
- Insérer un thermomètre dans le courant d'eau pour vérifier la température de l'eau.

Si la température est moins de 104° F (40° C):

Réglage de la température de douche (cont.)

- Tirer le collier de détente.
- Tourner le collier de détente vers la gauche.
- Vérifier la température.

Si la température est plus de 105° F (41° C):

- Tirer le collier de détente.
- Tourner le collier de détente vers la droite.
- Vérifier la température.
- Répéter les procédures ci-dessus jusqu'à ce que la température désirée soit atteinte.

Procédures de dépannage

Ce guide de dépannage est seulement destiné à une aide générale. Pour une réparation sous garantie, contacter le vendeur ou distributeur.

Symptômes	Cause probable/Action recommandée
1. Uniquement de l'eau chaude ou froide de la sortie.	a. Alimentations d'entrée sont inversées. Voir "Alimentations d'entrée inversées" du guide d'installation. b. Pas d'eau chaude atteignant le contrôle de douche. c. Inspecter les grilles du filtre de toute obstruction.

Procédures de dépannage (cont.)	
Symptômes	Cause probable/Action recommandée
2. Fluctuation ou réduction du débit.	<p>La fonction normale du contrôle thermostatique lorsque les conditions d'opération ne sont pas satisfaisantes.</p> <ul style="list-style-type: none"> a. Inspecter les grilles de filtre de toute restriction de débit. b. S'assurer que le débit minimum soit suffisant pour des conditions d'alimentation. c. S'assurer que les pressions dynamiques d'entrée soient normalement balancées et suffisantes. d. S'assurer que les différentiels de température d'entrée soient suffisants. e. Les arrêts de service ne sont pas complètement vissés. Pivoter les deux jusqu'à ce qu'ils soient complètement vissés. f. Vérifier la performance thermostatique; renouveler la cartouche thermostatique si nécessaire.
3. Aucun débit de la sortie de contrôle de douche.	<ul style="list-style-type: none"> a. Inspecter les grilles du filtre de toute obstruction. b. Défaillance d'alimentation chaude ou froide; thermostat conservant une fonction d'arrêt correcte. c. La cartouche de contrôle de débit ne fonctionne pas. Vérifier et remplacer si nécessaire. d. Arrêts de service sont fermés. Pivoter les deux vers la gauche.
4. Dérive de température de mélange.	<p>Indique que les conditions d'opération ont changé.</p> <ul style="list-style-type: none"> a. Se référer au symptôme 2 ci-dessus. b. Fluctuation de température d'alimentation d'eau chaude. c. Fluctuation de pression d'alimentation.

Procédures de dépannage (cont.)	
Symptômes	Cause probable/Action recommandée
5. Eau chaude dans alimentation froide ou eau froide dans alimentation chaude.	Indique un croisement de débit. Remplacer la valve clapet.
6. La température maximale de mélange est trop chaude ou trop froide.	a. Indique un réglage incorrect de température maximum; se référer à la section "Ajuster les réglages de température". b. Tel que le symptôme 5 ci-dessus c. Tel que le symptôme 5 ci-dessus
7. Fuite d'eau du corps de la valve.	Joint(s) usé(s) ou endommagé(s). a. Obtenir un kit de service et remplacer le(s) joint(s). b. Si la fuite persiste d'autour de l'axe de température, remplacer la cartouche thermostatique.
8. Le bouton de débit ou de température est rigide pour opérer.	a. Mouvement libre altéré de composants internes. Renouveler la cartouche appropriée. b. Pressions d'alimentation trop élevées. Ajuster la valve de réduction de pression.
Garantie limitée à vie pour les É.U. et le Canada	
<p>Kohler Co. garantit que ses robinets fabriqués après le 1 Janvier 1997 ne gouteront pas, et seront sans fuites pendant leur utilisation normale à domicile, aussi longtemps que l'acquéreur initial en soit le propriétaire. *Si le robinet goutte ou présente des fuites en cours d'utilisation normale, Kohler vous enverra par courrier, sans frais, la cartouche nécessaire pour réparer le robinet.</p> <p>Kohler garantit aussi que toutes les caractéristiques de ce robinet, à l'exception de la finition dorée, sont exemptes de défaut et de fabrication durant son utilisation résidentielle normale, aussi longtemps que l'acquéreur initial soit propriétaire de son domicile. Si un défaut est décelé en cours d'usage normal domestique, Kohler Co. décidera à sa discrétion, de réparer, de remplacer ou d'effectuer les réglages appropriés. Cette garantie n'offre pas de protection contre les dommages causés par accident, mauvais usage ou mauvais traitement. Une preuve d'achat (ticket de caisse original) doit être présentée à Kohler avec tous les recours en garantie. Kohler Co. n'est pas responsable des coûts de main-d'oeuvre, d'installation ou d'autres frais</p>	

Garantie limitée à vie pour les É.U. et le Canada (cont.)

qui en découlent. La responsabilité de Kohler n'excédera en aucun cas le prix d'achat du robinet.

Si le produit est utilisé dans un commerce, Kohler garantit le produit contre tout défaut de matériel et de fabrication pour un (1) an à partir de la date d'installation, en plus des autres termes de cette garantie appliquée excepté la durée.

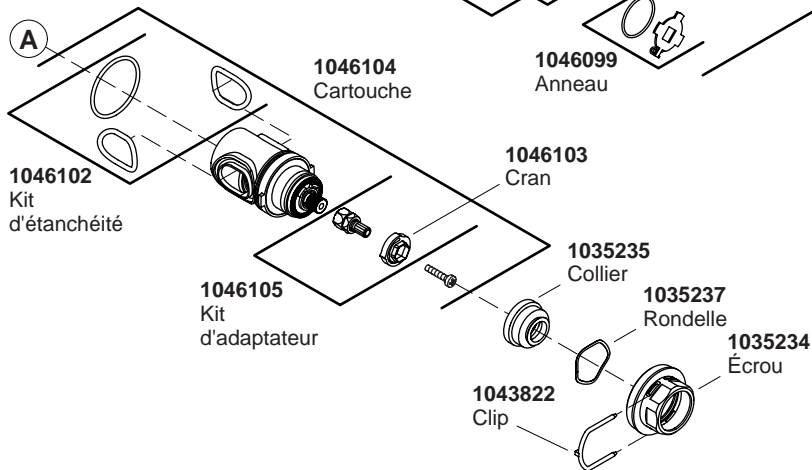
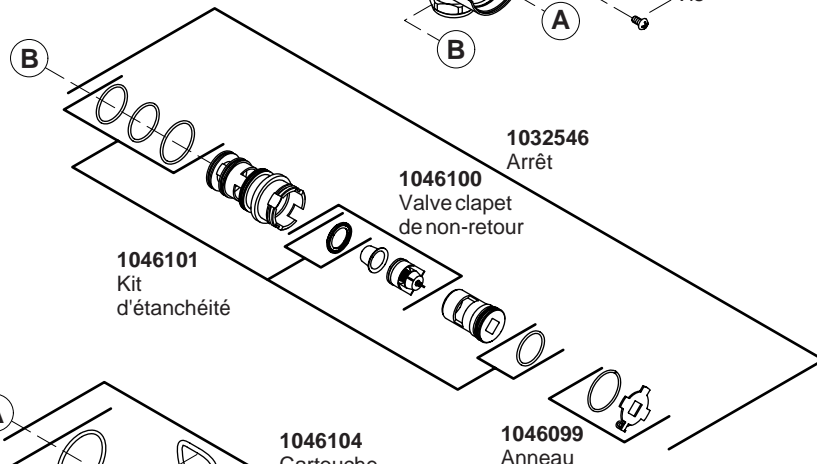
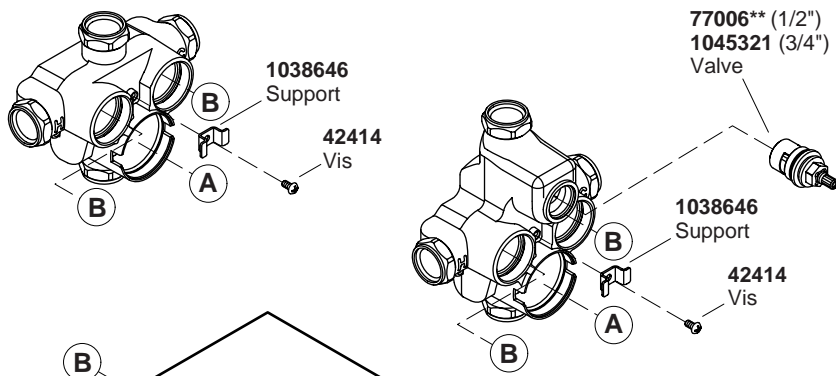
Pour vous prévaloir d'une indemnisation en vertu de cette garantie, veuillez contacter Kohler Co. par l'intermédiaire de votre vendeur, plombier, centre de rénovation ou revendeur par internet, ou bien par écrit à l'adresse suivante: Kohler Co. , A l'attention de: Customer Service Department, 444 Highland Drive, Kohler, WI 53044, USA. Veuillez fournir tous les renseignements pertinents à votre demande, y compris une description complète du problème, produit, modèle, couleur, finition, date et lieu de l'achat. Joindre également l'original de la facture. Pour plus de renseignements ou pour demander les coordonnées du centre de réparation le plus proche, composer le 1-800-4-KOHLER à partir des É.U., le 1-800-964-5590 à partir du Canada ou le 001-877-680-1310 à partir du Mexique.

Les garanties données ci-dessus remplacent toutes les autres garanties, expresse ou tacites, y compris, mais sans s'y limiter, à celles marchandes et d'aptitude à un emploi particulier.

Le vendeur décline toute responsabilité contre les dommages particuliers, accessoires ou indirects. Certains états/provinces ne permettent pas la limitation de durée ou l'exclusion ou limitation de ces dommages qui pourraient ne pas s'appliquer dans votre cas. La présente garantie accorde au consommateur des droits juridiques spécifiques. Vous pouvez également avoir d'autres droits qui varient d'un état/province à l'autre. Cette garantie est accordée uniquement à l'acquéreur initial et exclut tous dommages dus à une installation erronée, un usage abusif ou une mauvaise utilisation du produit, qu'ils soient effectués par un entrepreneur, une société de services ou le consommateur.

Ceci constitue notre garantie écrite exclusive.

*Les robinets Trend®, la Tour MasterShower™ les finitions en or poli, tous les articles contenus dans la section "Relatif à l'appareil" du catalogue des prix des robinets Kohler, drains, Duostrainer®, distributeurs de savon/lotion et les robinets utilisés dans des environnements commerciaux sont couverts par la garantie limitée d'un an de Kohler.



****Vous devez spécifier les codes de la finition et/ou de la couleur quand vous passez votre commande.**

Pièces de rechange

Guía del usuario

Válvula mezcladora termostática

INSTRUCCIONES IMPORTANTES

LÉALAS Y GUÁRDELAS PARA EL CLIENTE



ADVERTENCIA: Riesgo de quemaduras u otras lesiones graves.



PRECAUCIÓN: Riesgo de quemaduras. Este aparato se ha calibrado en la fábrica para asegurar una temperatura máxima del agua que no presente riesgos. Cualquier variación en el ajuste o en las condiciones de entrada del agua con respecto al calibrado de fábrica puede aumentar la temperatura de salida por encima del límite considerado seguro y presentar el riesgo de quemaduras.

- Antes de terminar la instalación, el instalador debe ajustar la temperatura máxima del agua en la válvula para reducir el riesgo de quemaduras, según la norma ASTM F 444.

El instalador tiene la responsabilidad de ajustar la temperatura máxima del agua de esta válvula según las instrucciones.

Esta válvula cumple o excede las normas ANSI A112.18.1 y ASSE 1016.

Si usted no comprende las instrucciones de ajuste de temperatura contenidas en este documento, llame a nuestro Departamento de Atención al Cliente, al **1-800-4-KOHLER**. Fuera de los Estados Unidos, comuníquese con su distribuidor.

AVISO IMPORTANTE: Por favor, llene la información a continuación y en la etiqueta de la válvula. Guarde esta Guía de usuario para referencia futura.

- La válvula está calibrada a 104° F (40° C) en la primera posición y el tope limitador de temperatura máxima está colocado de manera que la temperatura del agua en la salida no exceda de 120° F (49° C).

INSTRUCCIONES IMPORTANTES (cont.)

- Las condiciones de entrada calibradas en la fábrica son:
Presión del agua fría y caliente = 45 psi (3,2 kg/cm²)
Temperatura del suministro de agua caliente = 145° F (63° C)
Temperatura del suministro de agua fría = 65° F (18° C)
- Si las condiciones de entrada difieren de las usadas durante el calibrado en fábrica, quizás sea necesario volver a calibrar la válvula una vez instalada. **El instalador debe verificar la temperatura del flujo mixto después de la instalación y ajustar la válvula según sea necesario conforme a las instrucciones.**

¡AVISO AL USUARIO! Este aparato ha sido ajustado por _____ de _____ para asegurar una temperatura máxima segura. Cualquier cambio en el ajuste puede aumentar la temperatura de salida del agua por encima del límite considerado seguro y ocasionar quemaduras.

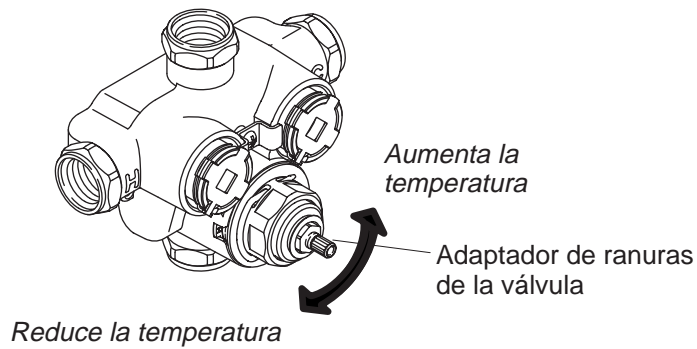
Fecha: _____

Gracias por elegir los productos de Kohler

Gracias por elegir la línea de productos de The Bold Look of Kohler. La artesanía de Kohler le ofrece una rara combinación de rendimiento comprobado y agraciada elegancia capaces de satisfacer sus exigencias durante muchos años. La fiabilidad y belleza de la grifería Kohler sobrepasarán sus mayores expectativas. En Kohler, nos sentimos orgullosos de nuestros productos y sabemos que usted también lo estará.

Dedique unos minutos para leer esta Guía del usuario. Preste especial atención a las instrucciones de cuidado y limpieza.

Toda la información contenida en las instrucciones está basada en la información más reciente disponible al momento de su publicación. En Kohler, nos esforzamos constantemente por mejorar la calidad de nuestros productos. Por lo tanto, Kohler se reserva el derecho de efectuar cambios en las características del producto, embalaje o disponibilidad en cualquier momento, sin previo aviso.



Verifique el ajuste de temperatura

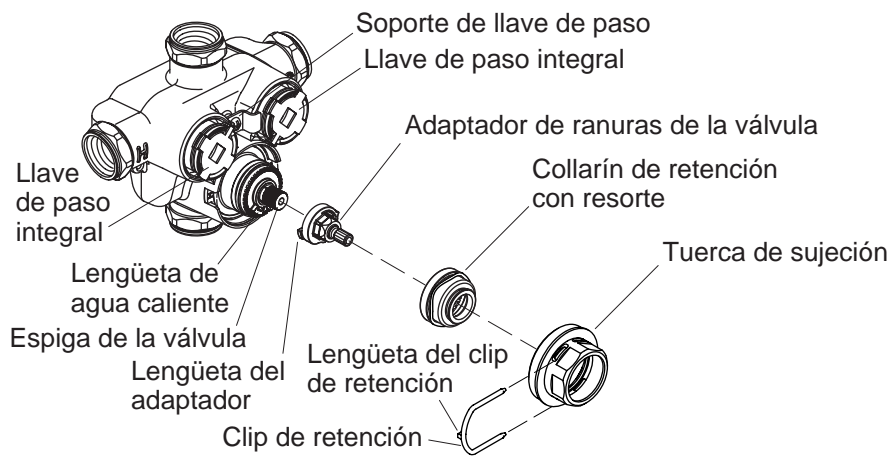
⚠ PRECAUCIÓN: Riesgo de lesiones personales. La temperatura del agua nunca debe ajustarse a más de 120° F (49° C).

NOTA: El cartucho de la válvula termostática se ha calibrado en la fábrica para una temperatura de ducha aproximadamente entre 104° F (40° C) y 105° F (41° C) y una temperatura de agua caliente máxima de 120° F (49° C).

- Abra el agua.
- Fije la manija decorativa o protector de yeso (que se encuentran en la válvula de control de caudal K-671 o K-681, o en la válvula de transferencia K-672), al adaptador de ranuras de la válvula.
- Gire completamente a la izquierda el adaptador de ranuras de la válvula para que la manija decorativa o el protector de yeso ya no se puedan mover. El adaptador de ranuras de la válvula ahora está en la posición de agua completamente caliente.
- Deje correr el agua durante varios minutos para estabilizar las temperaturas de suministro del agua.
- Coloque un termómetro en el flujo de agua para verificar la temperatura del agua caliente.
- Si la temperatura del agua excede de 120° F (49° C), o es menor que la temperatura deseada, continúe en la sección "Ajuste de la temperatura caliente".

Verifique el ajuste de temperatura (cont.)

- Gire la manija decorativa o el protector de yeso hacia la derecha hasta que escuche un clic. No gire más. Esta es la posición de temperatura de la ducha.
- Quite la manija decorativa o el protector de yeso del adaptador de ranuras de la válvula.
- Coloque un termómetro en el chorro de agua para verificar la temperatura de la ducha.
- Si la temperatura del agua es menor que 104° F (40° C) a 105° F (41° C) o es mayor que la temperatura deseada, continúe en la sección "Ajuste de la temperatura de la ducha".
- Si las temperaturas son correctas, llene la sección "Aviso al usuario" de esta Guía del usuario.



Ajuste de la temperatura caliente



PRECAUCIÓN: Riesgo de daños al producto. No apriete demasiado la tuerca de sujeción. El apretar demasiado podría dañar la tuerca de sujeción.

- Gire ambas llaves de paso integrales hacia fuera hasta que hagan contacto con el soporte de la llave de paso.
- Retire el clip de retención de la tuerca de sujeción.
- Quite la tuerca de sujeción del montaje, girando la tuerca de sujeción hacia la izquierda.
- Retire del cartucho, el collarín de retención con el resorte.
- Quite el adaptador de ranuras de la válvula.

NOTA: Tal vez el resorte del collarín de retención se caiga. Si esto ocurre, vuelva a instalar el resorte en el collarín de retención.

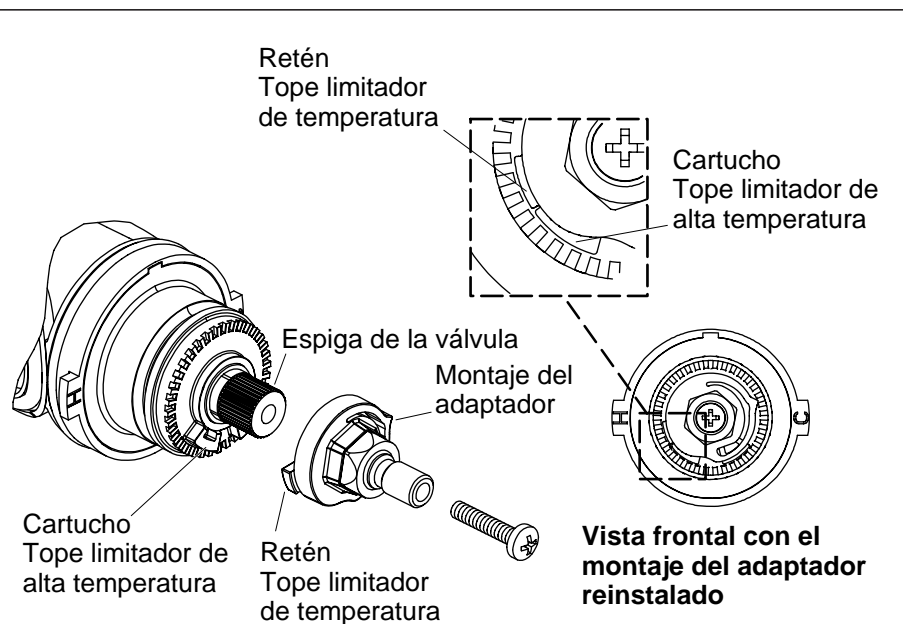
- Gire la espiga de válvula completamente a la izquierda.

NOTA: Mientras realiza los ajustes, no tenga instalado el collarín de retención.

- Vuelva a instalar la tuerca de sujeción en el cuerpo de la válvula. Apriete a mano la tuerca de sujeción hasta que el reborde de la tuerca de sujeción haga contacto con el labio del cuerpo de la válvula.
- Gire ambas llaves de paso integrales hacia dentro.

Ajuste de la temperatura caliente (cont.)

- Abra el agua utilizando la válvula de control de caudal (no ilustrada).
- Deje correr el agua durante varios minutos para estabilizar la temperatura del agua.

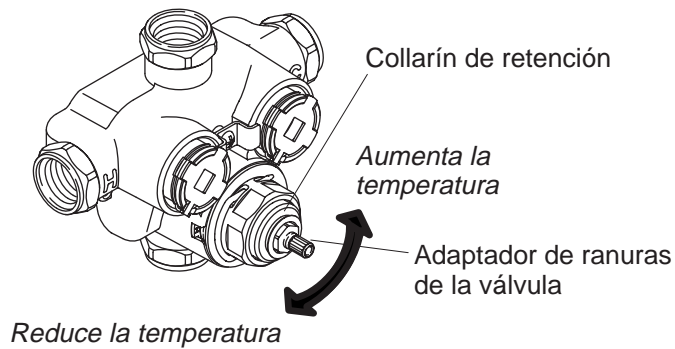


Ajuste de la temperatura caliente (continuación)

- Coloque un termómetro en el chorro de agua para verificar la temperatura del agua.
- Gire la espiga de la válvula a la derecha hasta alcanzar la temperatura máxima de 120° F (49° C).
- Vuelva a instalar el adaptador de ranuras de la válvula con la lengüeta del adaptador al ras con el lado izquierdo de la lengüeta de agua caliente del cartucho.
- Vuelva a instalar el adaptador de ranuras en esta posición sobre la espiga de la válvula.
- Cierre el control de caudal.
- Gire ambas llaves de paso integrales hacia fuera hasta que hagan contacto con el soporte de la llave de paso.
- Abra y cierre el control de caudal (no ilustrado) para aliviar la presión que se haya acumulado en la válvula.
- Quite la tuerca de sujeción del montaje, girando la tuerca de sujeción hacia la izquierda.
- Vuelva a instalar el collarín de retención. Asegúrese de que el resorte se apoye en la parte superior del collarín de retención.

Ajuste de la temperatura caliente (continuación) (cont.)

- Vuelva a instalar la tuerca de sujeción en el montaje, apretando con la mano. No apriete demasiado.
- Vuelva a instalar el clip de retención en la tuerca de sujeción. La lengüeta del clip de retención debe apuntar hacia el interior.
- Gire ambas llaves de paso integrales hacia dentro.
- Verifique la temperatura. Repita los pasos anteriores, de ser necesario.
- Continúe en la sección "Ajuste de la temperatura de la ducha" en esta guía.



Ajuste de la temperatura de la ducha

NOTA: Para asegurar la temperatura correcta de la ducha, primero gire el adaptador de ranuras de la válvula hasta la posición de agua completamente caliente y después ajuste la temperatura de la ducha.

- Coloque la manija decorativa (no ilustrada) o el protector de yeso (no ilustrado) en el adaptador de ranuras de la válvula.
- Gire completamente a la izquierda el adaptador de ranuras de la válvula para que la manija decorativa o el protector de yeso ya no se puedan mover. El adaptador de ranuras de la válvula ahora está en la posición de agua completamente caliente.
- Luego, gire la manija decorativa o el protector de yeso hacia la derecha hasta que escuche un clic. No gire más. Esta es la posición de temperatura de la ducha.
- Si no escucha o siente un clic, desinstale la manija decorativa. Jale hacia fuera y gire el collarín de retención 180° hasta que encaje en su lugar. Vuelva a instalar la manija decorativa y repita los pasos anteriores para establecer la posición de la temperatura de la ducha.
- Quite la manija decorativa o el protector de yeso del adaptador de ranuras de la válvula.
- Deje correr el agua durante varios minutos para estabilizar la temperatura.
- Coloque un termómetro en el chorro de agua para verificar la temperatura del agua.

Ajuste de la temperatura de la ducha (cont.)

Si la temperatura es menor que 104° F (40° C):

- Saque el collarín de retención.
- Gire el collarín de retención hacia la izquierda.
- Verifique la temperatura.

Si la temperatura es mayor que 105° F (41° C):

- Saque el collarín de retención.
- Gire el collarín de retención hacia la derecha.
- Verifique la temperatura.
- Repita los pasos anteriores hasta alcanzar la temperatura deseada.

Procedimientos para resolver problemas

Esta guía para resolver problemas está diseñada únicamente como ayuda general. Para obtener servicio cubierto por la garantía, póngase en contacto con el vendedor o el distribuidor mayorista.

Síntomas	Causa probable/Acción recomendada
1. Sólo sale agua caliente o fría.	a. Los suministros de entrada están invertidos. Vea la sección "Suministros de entrada invertidos" de la Guía de instalación. b. No sale agua caliente del control de la ducha. c. Verifique que no haya obstrucciones en el filtro de rejilla.

Procedimientos para resolver problemas (cont.)

Síntomas	Causa probable/Acción recomendada
2. Caudal reducido o fluctuante.	<p>Función normal del control termostático cuando las condiciones de funcionamiento no son satisfactorias.</p> <ol style="list-style-type: none">Verifique que no haya obstrucciones en los filtros de rejilla.Asegúrese de que el caudal mínimo sea suficiente para las condiciones del suministro.Asegúrese de que las presiones dinámicas de entrada estén reguladas nominalmente y sean suficientes.Asegúrese de que las diferencias de las temperaturas de entrada sean suficientes.Las llaves de paso no están completamente enroscadas. Gire ambas llaves de paso hasta que estén completamente enroscadas.Verifique el funcionamiento termostático; si es necesario, cambie el cartucho termostático.
3. No hay flujo de la salida del control de la ducha.	<ol style="list-style-type: none">Verifique que no haya obstrucciones en el filtro de rejilla.Problemas de suministro de agua caliente o fría; el termostato retiene la función de cierre correcta.El cartucho de control de flujo no funciona. Verifíquelo y cámbielo de ser necesario.Las llaves de paso están cerradas. Gire ambas hacia la izquierda.
4. Cambio en la temperatura de mezcla.	<p>Indica que han cambiado las condiciones de funcionamiento.</p> <ol style="list-style-type: none">Consulte el síntoma 2 anterior.Fluctuación de la temperatura del suministro de agua caliente.Fluctuación de la presión del suministro.

Procedimientos para resolver problemas (cont.)	
Síntomas	Causa probable/Acción recomendada
5. Agua caliente en suministro de agua fría o agua fría en suministro de agua caliente.	Indica que los flujos están cruzados. Reemplace la válvula de retención.
6. La temperatura máxima de la mezcla es muy alta o muy baja.	a. Indica un ajuste incorrecto para la temperatura máxima; consulte la sección "Ajuste de la temperatura". b. Igual que el síntoma 4 anterior. c. Igual que el síntoma 5 anterior.
7. Fuga de agua en el cuerpo de la válvula.	El sello o los sellos están gastados o dañados. a. Adquiera el kit de mantenimiento y cambie los sellos. b. Si la fuga es de alrededor del husillo de temperatura, cambie el cartucho termostático.
8. La perilla de flujo o la perilla de temperatura no se mueven fácilmente.	a. Los componentes internos no se mueven libremente. Cambie el cartucho correspondiente. b. Las presiones de los suministros están muy altas. Instale una válvula de reducción de presión.
Garantía limitada de por vida - Estados Unidos y Canadá	
<p>Kohler Co. garantiza que la grifería fabricada después del 1 de enero de 1997 está libre de problemas de fugas y goteo durante el uso residencial normal, mientras el comprador consumidor original sea el propietario de la casa. *En caso de que la grifería presente fugas o goteo durante el uso normal, Kohler enviará por correo y sin ningún cargo al comprador original, el cartucho necesario para que la grifería funcione correctamente.</p> <p>Kohler también garantiza que todas las demás características de la grifería, excepto el acabado en oro, están libres de defectos de material y mano de obra, durante el uso residencial normal, mientras el comprador consumidor original sea el propietario de la casa. Si el producto presenta defectos durante el uso residencial normal, Kohler Co., a su criterio, reparará, proveerá el repuesto o el producto, o realizará los ajustes pertinentes. Esta garantía no cubre daños causados por accidentes, abuso o uso indebido del producto. Al presentar las reclamaciones de garantía a Kohler, es necesario incluir la prueba de compra (recibo original). Kohler Co. no se hace responsable de los</p>	

Garantía limitada de por vida - Estados Unidos y Canadá (cont.)

gastos de mano de obra, instalación u otros gastos resultantes. En ningún caso la responsabilidad de Kohler excederá el precio de la grifería.

Si la grifería es para uso comercial, Kohler garantiza que la grifería está libre de defectos de material y mano de obra por un (1) año, a partir de la fecha de instalación, estando en efecto todas las demás condiciones de la presente garantía, excepto la duración.

Si usted considera que tiene una reclamación en virtud de la garantía, comuníquese con Kohler Co., ya sea a través de su distribuidor, contratista de plomería o distribuidor a través de Internet, o escriba a la siguiente dirección: Kohler Co., Attn.: Customer Service Department, 444 Highland Drive, Kohler, WI 53044, USA. Por favor, asegúrese de proporcionar toda la información pertinente a su reclamación, incluyendo una descripción completa del problema, producto, número de modelo, color, acabado, fecha y lugar de compra del producto. También incluya el recibo de compra original. Para información adicional, o para obtener el nombre y dirección del lugar de reparación y servicio más cercano a usted, llame al 1-800-4-KOHLER desde los Estados Unidos, al 1-800-964-5590 desde Canadá y al 001-877-680-1310 desde México.

Las garantías anteriormente mencionadas sustituyen todas las demás garantías, expresas o implícitas, incluyendo, entre otras, las garantías implícitas de comercialización e idoneidad para un propósito en particular.

El vendedor no se hace responsable por concepto de daños particulares, incidentales o indirectos. Algunos estados/provincias no permiten limitaciones en cuanto a la duración de una garantía implícita o a la exclusión o limitación de tales daños, por lo que estas limitaciones y exclusiones pueden no aplicar a su caso. La presente garantía otorga al consumidor ciertos derechos legales específicos. Además, usted puede tener otros derechos que varían de estado a estado y provincia a provincia. Esta garantía está destinada únicamente para el comprador consumidor original y excluye todo daño al producto como resultado de errores de instalación, abuso del producto o uso indebido del mismo, bien sea por parte de un contratista, compañía de servicios o el consumidor mismo.

Ésta es nuestra garantía exclusiva por escrito.

*La grifería Trend®, la torre MasterShower™, los productos con acabado en oro, todos los artículos contenidos en la sección "Fixture Related" del KOHLER Faucets Price Book, los desagües, las coladeras de fregadero Duostrainer®, los dispensadores de jabón y loción, y la

Garantía limitada de por vida - Estados Unidos y Canadá (cont.)

grifería de uso comercial están cubiertos por la garantía limitada de un año de Kohler.

Garantía de un año — México

Sólo para México

KOHLER CO.

Al adquirir el producto, se recomienda verificar que todos los accesorios y componentes estén completos en la caja.

Kohler Co. garantiza que el material y la mano de obra de este producto están libres de defectos, por un (1) año, a partir de la fecha de compra que aparece en la factura o recibo.

1. Kohler Co. prestará servicio únicamente a los productos comercializados a través de sus distribuidores autorizados.
2. A fin de obtener el servicio de garantía, favor de presentar la factura de compra y la garantía correspondiente.
3. Kohler Co., a través de sus distribuidores autorizados, se compromete a reparar el producto defectuoso o a reemplazarlo por uno nuevo o equivalente (en caso de que el producto esté discontinuado) cuando no sea posible la reparación, sin ningún cargo al consumidor.
4. El tiempo de reparación no excederá de seis (6) semanas, a partir de la fecha de recepción del producto.
5. Se recomienda al consumidor que conserve el recibo o factura de compra como protección adicional, pues el mismo puede sustituir a la garantía, en caso de que exista discrepancia en cuanto a la validez de la misma.

EXCEPCIONES Y RESTRICCIONES

La garantía no tendrá validez en los siguientes casos:

1. Cuando el producto no se haya utilizado conforme a las instrucciones de uso y funcionamiento incluidas en el manual del usuario o en las instrucciones de instalación y cuando no se hayan observado las recomendaciones y advertencias allí contenidas.
2. Cuando el producto se haya modificado o desmantelado parcial o totalmente; o manipulado de manera negligente y, como consecuencia, haya sufrido daños atribuibles al consumidor, persona o herrajes no autorizados por Kohler Co.
3. Esta garantía no cubre los daños que resulten de desastres naturales,

Garantía de un año — México (cont.)

tales como incendios o casos de fuerza mayor, incluyendo inundaciones, terremotos, tormentas eléctricas, etc. Para obtener una lista de distribuidores cerca de usted y así hacer valer sus derechos bajo esta garantía, llame al 001-877-680-1310.

KOHLER CO., KOHLER, WI 53044 U.S.A.

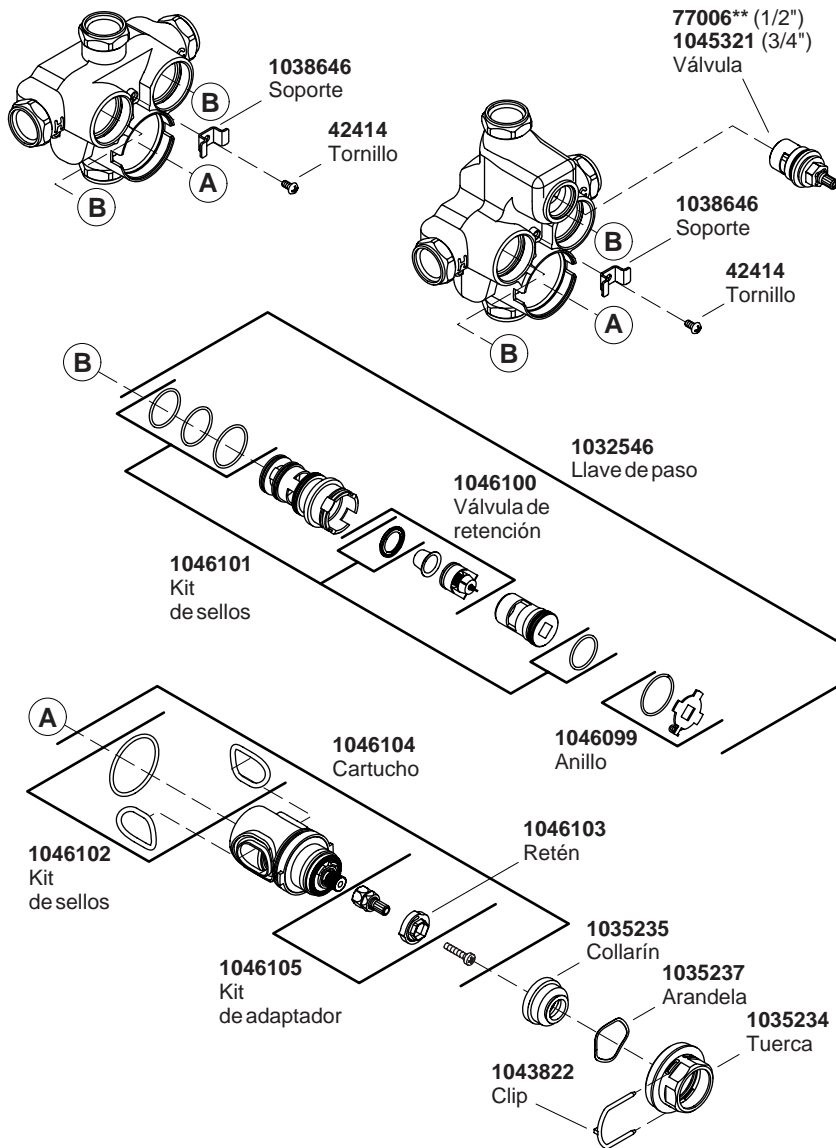
IMPORTADOR:

INTERNACIONAL DE CERÁMICA, S.A. DE C.V.

AV. CARLOS PACHECO NO. 7200

CHIHUAHUA, CHIH., MÉXICO C.P. 31060

TEL: 52 (14) 29-11-11



****Se debe especificar el código del acabado/color con el pedido.**

Piezas de repuesto

1041158-5-C

1041158-5-C

USA: 1-800-4-KOHLER
Canada: 1-800-964-5590
México: 001-877-680-1310

kohler.com

THE BOLD LOOK
OF **KOHLER**®

©2005 Kohler Co.

1041158-5-C