

KOHLER[®] SERVICE PARTS

COMMERCIAL FITTINGS

K-13711

WHEELCHAIR LAVATORY SUPPLY

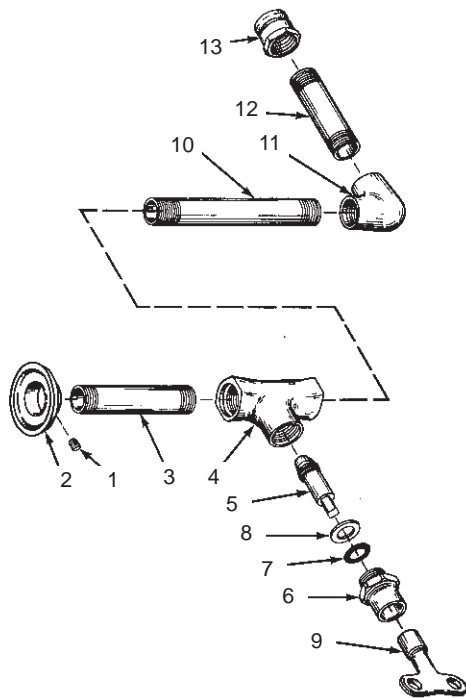
3/8" I.P.S. SUPPLY

K-13885

WHEELCHAIR LAVATORY DRAIN

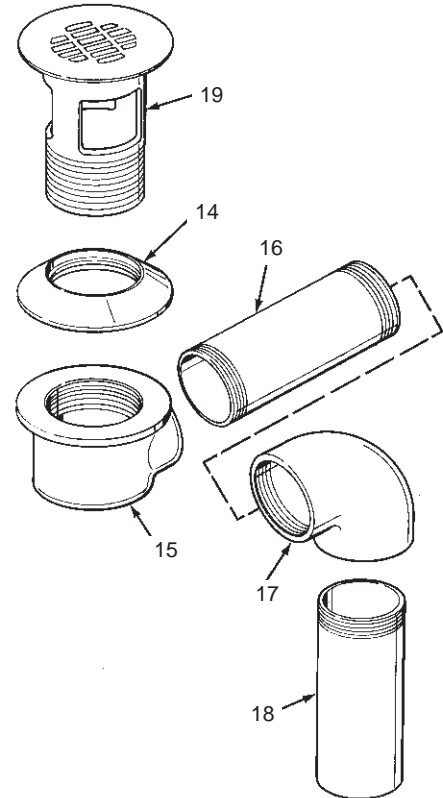
1-1/4" OFFSET DRAIN WITH OPEN STRAINER

ORDER BY KIT NUMBER OR PART NUMBER, NOT ITEM NUMBER OR KIT LETTER.



Ordering Options

Item	Part No. or Kit
1	32966
2	24006‡
3	33448‡
4, 5, 6	B
7, 8	A, B
9	32338
10	33366‡
11	33470‡
12	32830‡
13	32805‡
14	33507
15	31395
16	41978
17	53080
18	41640
19	*



Kit Ordering Information

Kit	Kit Part No.	Kit Name
A	30267	Valve Service Kit
B	35098‡	Valve Assembly

Kit Contents

1 ea., Items 7 and 8
1 ea., Items 4 thru 8

KITS MAY INCLUDE EXTRA PARTS

NOTES:

* Not available as a service part.

LEGEND:

‡ Specify Finish.