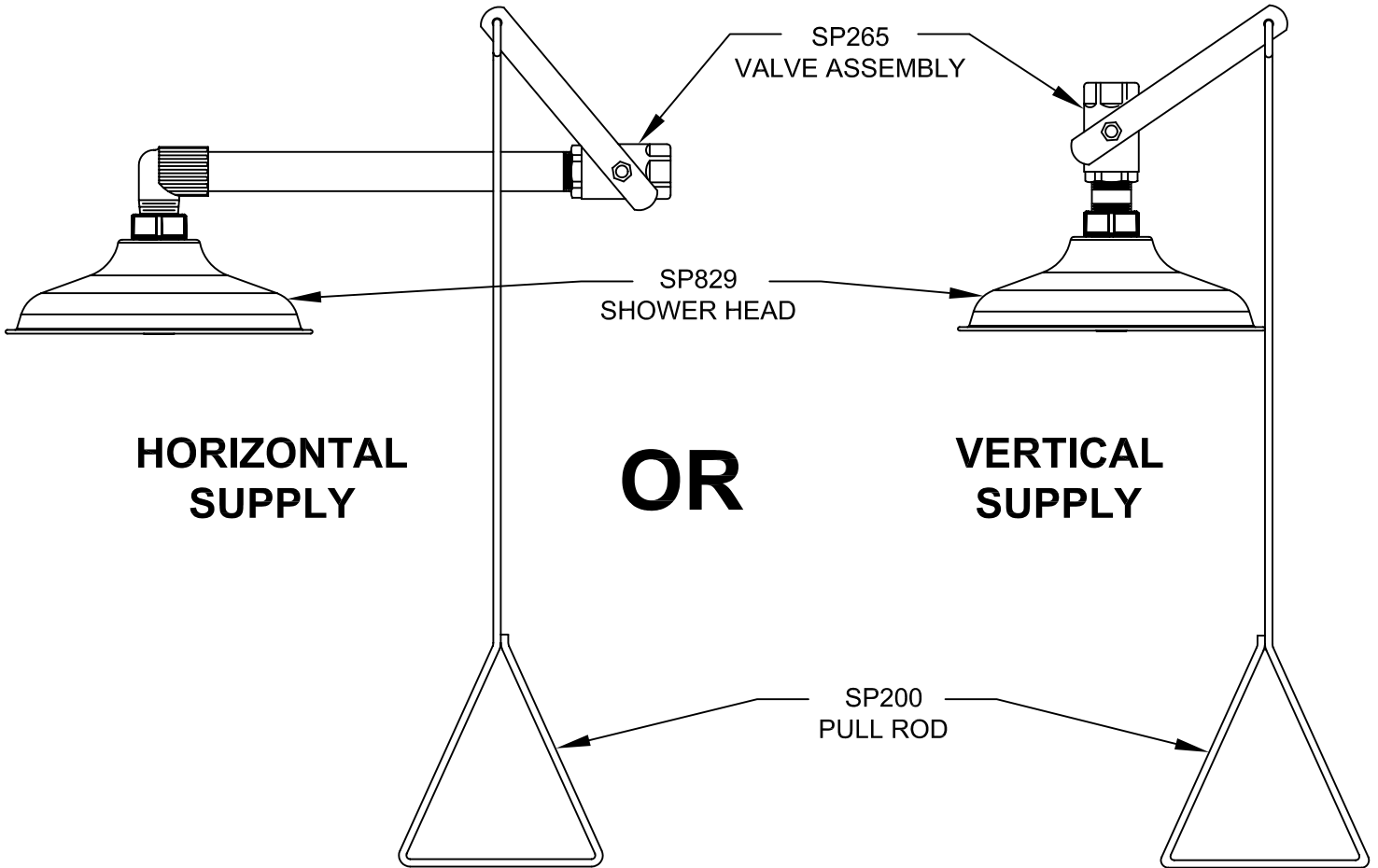
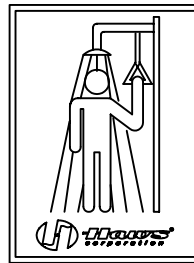


PARTS BREAKDOWN



SP170 TEST TAG



SP177 SHOWER SIGN

14	UPDATED PER ECN	4367	12/3/09	IR
REV	DESCRIPTION	ECN	DATE	BY/APVD
REVISIONS				

WHEN ORDERING PARTS PLEASE SPECIFY YOUR MODEL NUMBER



1455 KLEPPE LANE
SPARKS, NEVADA 89431
(775) 359-4712 FAX (775) 359-7424
E-MAIL: HAWS@HAWS.CO.COM
WEBSITE: WWW.HAWS.CO.COM

DRAWN BY: CLF	DATE: 3/08/93	CHECK BY:	APPVD BY:	SCALE: 3/1
TITLE: 8130 EMERGENCY SHOWER			PART NUMBER: 0002080129	
DRAWING TYPE: PARTS BREAKDOWN			DRAWING NUMBER: 11478C00	REV: 14