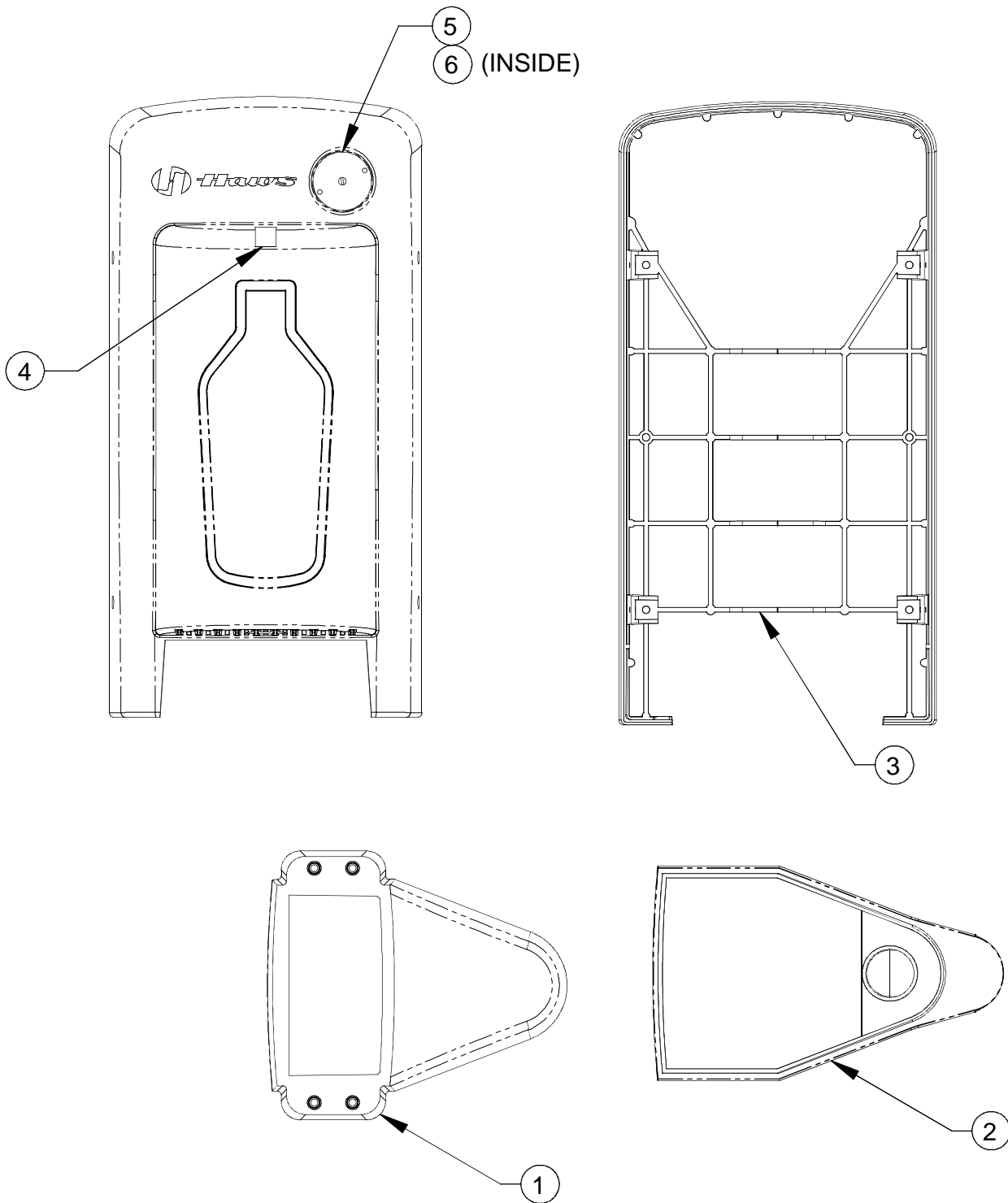


ITEM	DESCRIPTION
1	DRAIN BASIN 0002060018
2	DRAIN EXTENDER 0002306901
3	MOUNTING FRAME 0002546051
4	NOZZLE 0003707600
5	PUSH BUTTON PBA7
6	VALVE 5874SS

PARTS BREAKDOWN



		1455 KLEPPE LANE SPARKS, NEVADA 89431 (775) 359-4712 FAX (775) 359-7424 E-MAIL: HAWS@HAWSCO.COM WEBSITE: WWW.HAWSCO.COM	
		ECN NO. REVISED PER BY: 4855 ECN: 4937 JL	MODEL(S) 1900
DRAWN: JL DATE: 2/6/14 CHKD: JL	APPROVED: _____ DATE: _____	BOTTLE FILLER, EWC RETROFIT	
SCALE: N/A		DRAWING TYPE: PARTS BREAKDOWN	SIZE: A SHEET 1 OF 1

WHEN ORDERING PARTS PLEASE SPECIFY YOUR MODEL NUMBER