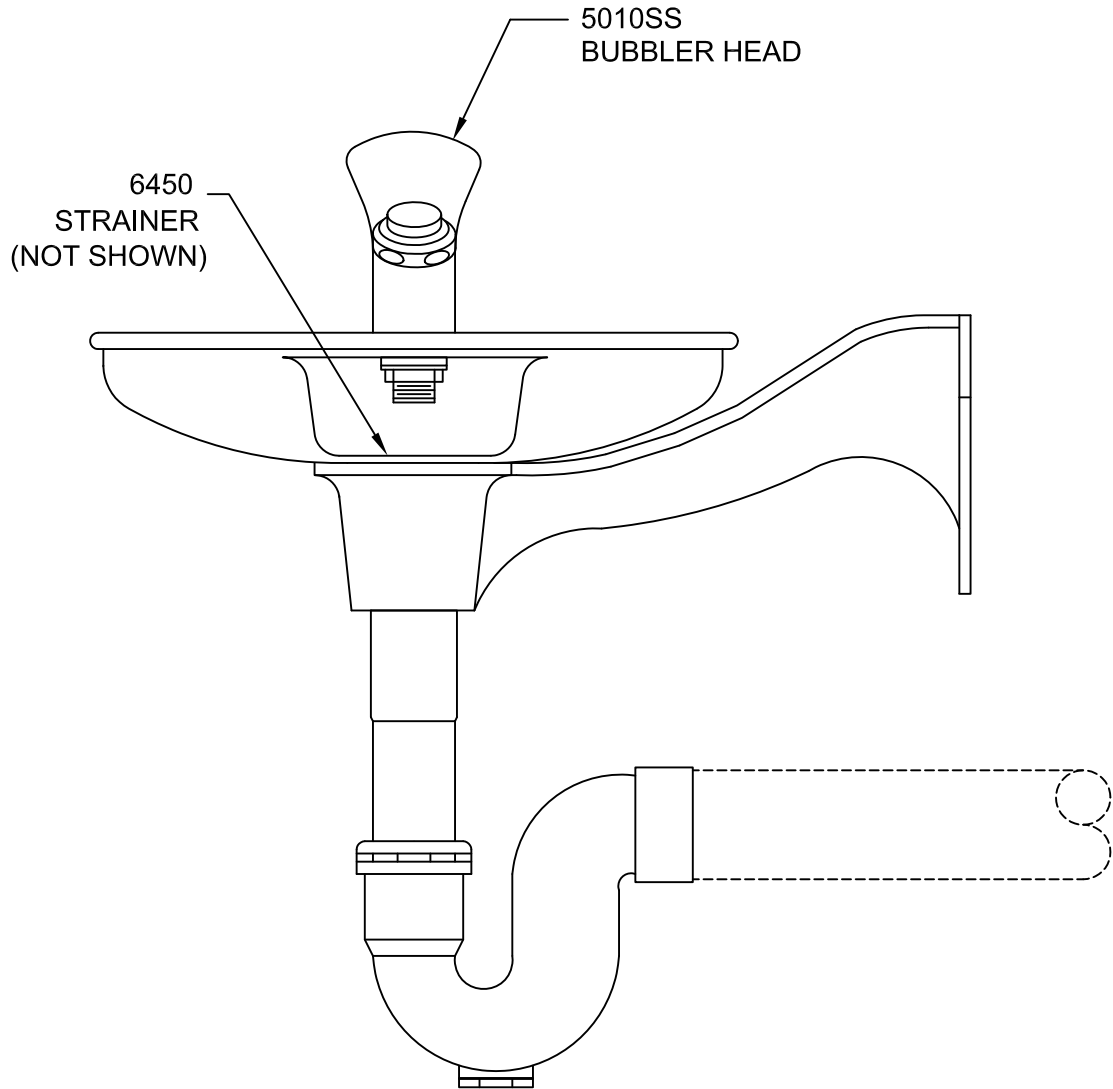



PARTS BREAKDOWN



		Haws [®]		1455 KLEPPE LANE SPARKS, NEVADA 89431 (775) 359-4712 FAX (755) 359-7424 E-MAIL: HAWS@HAWS.CO.COM WEBSITE: WWW.HAWS.CO.COM			
				ECN NO. 2195 DRAWN D. OLLOM APPROVED	REVISED PER ECN: 4673 DATE 11/25/95 DATE	BY HM CHKD	MODEL(S) 1152
WHEN ORDERING PARTS PLEASE SPECIFY MODEL NUMBER.				SCALE: 1:1	DRAWING TYPE: PARTS BREAKDOWN	SIZE: A	SHEET 1 OF 1