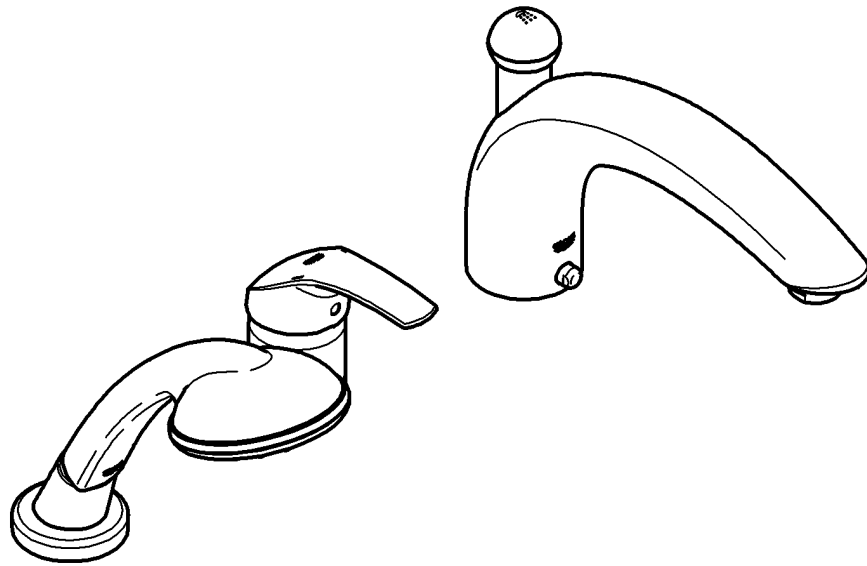
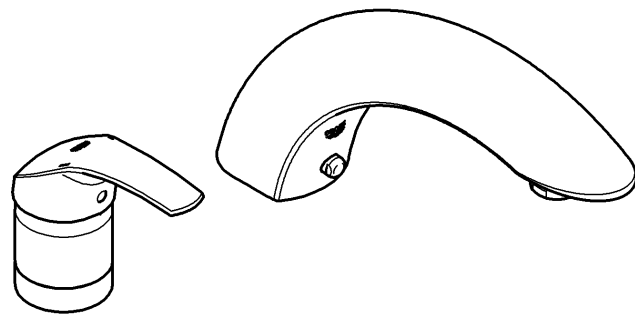


32 644



32 645



Eurosmart

(USA)1 (CZ)5 (HR)9 (LT)13
 (F)2 (H)6 (BG)10 (RO)14
 (E)3 (RUS)7 (EST)11
 (PL)4 (SLO)8 (LV)12

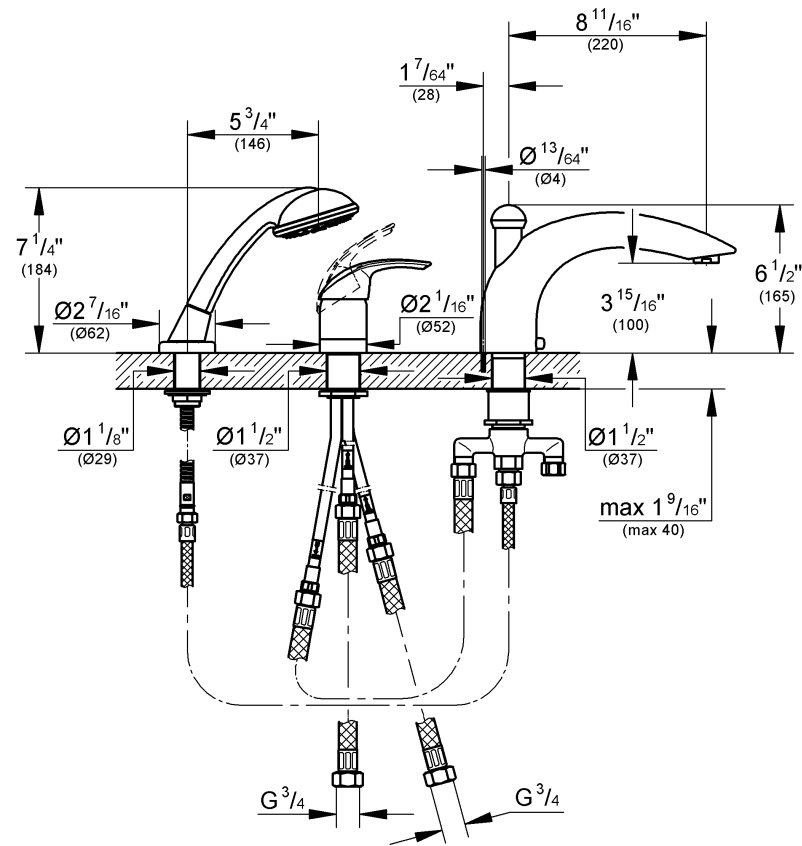
Design & Quality Engineering GROHE Germany

96.443.031/ÄM 211243/11.11

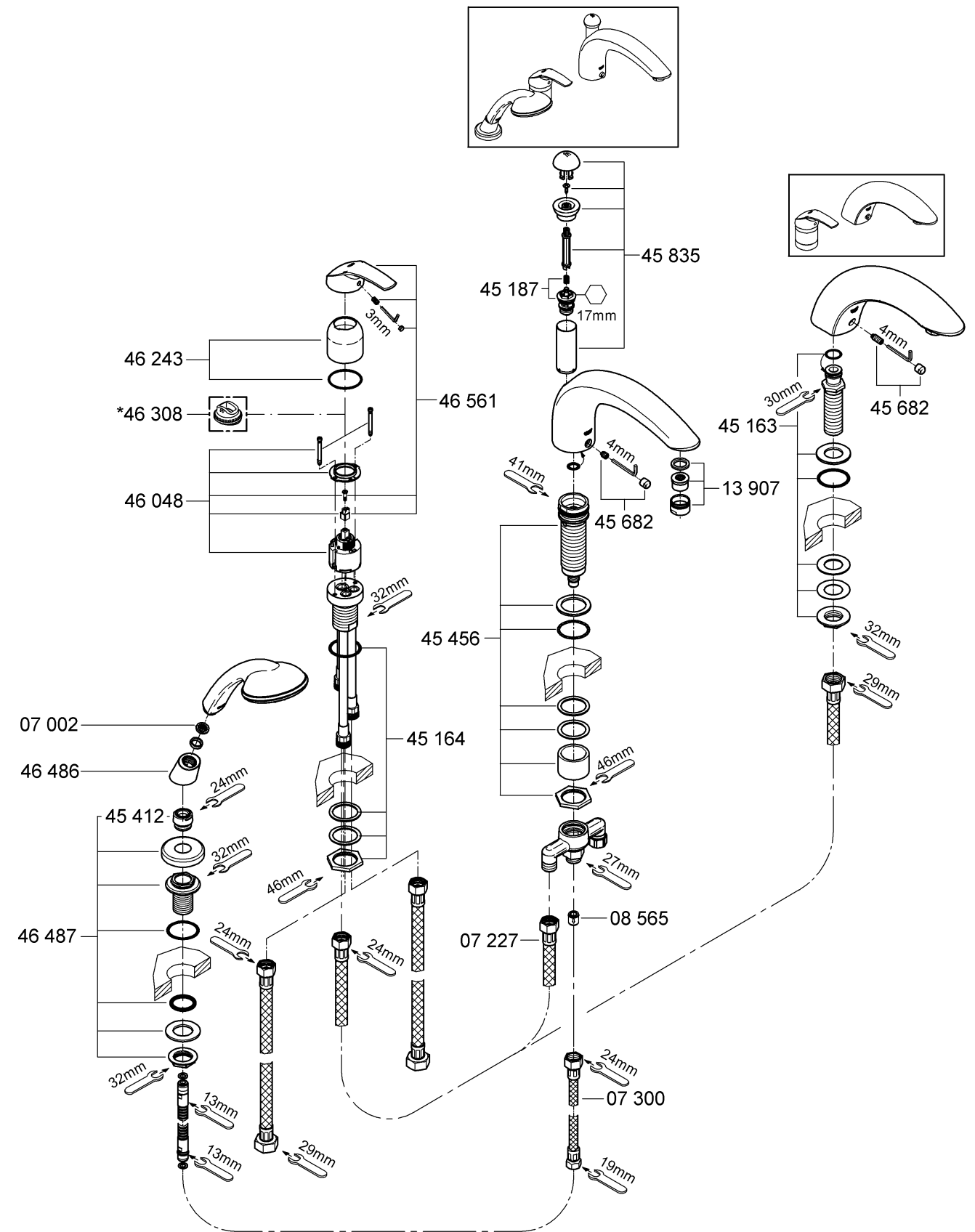
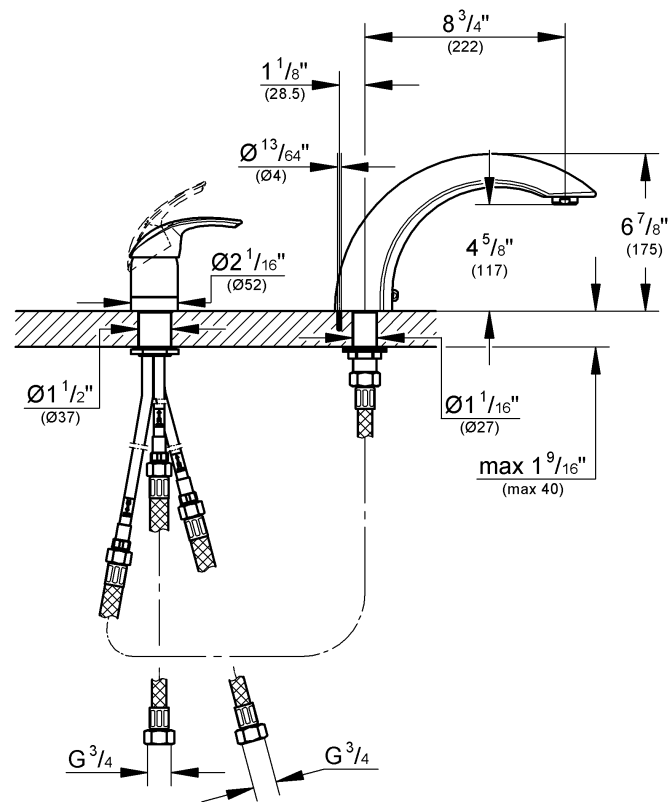
GROHE

 ENJOY WATER®

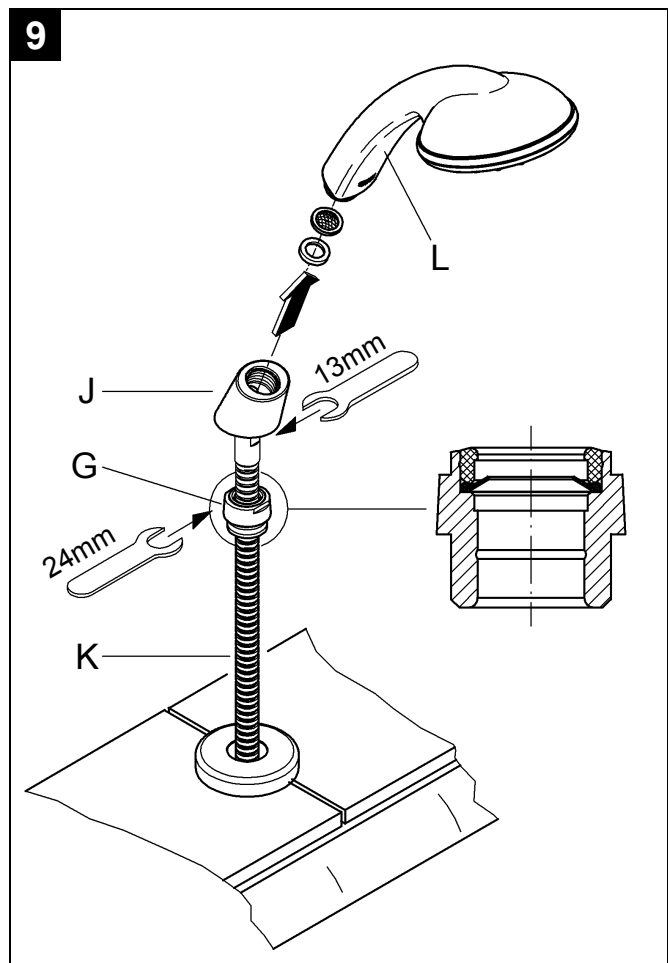
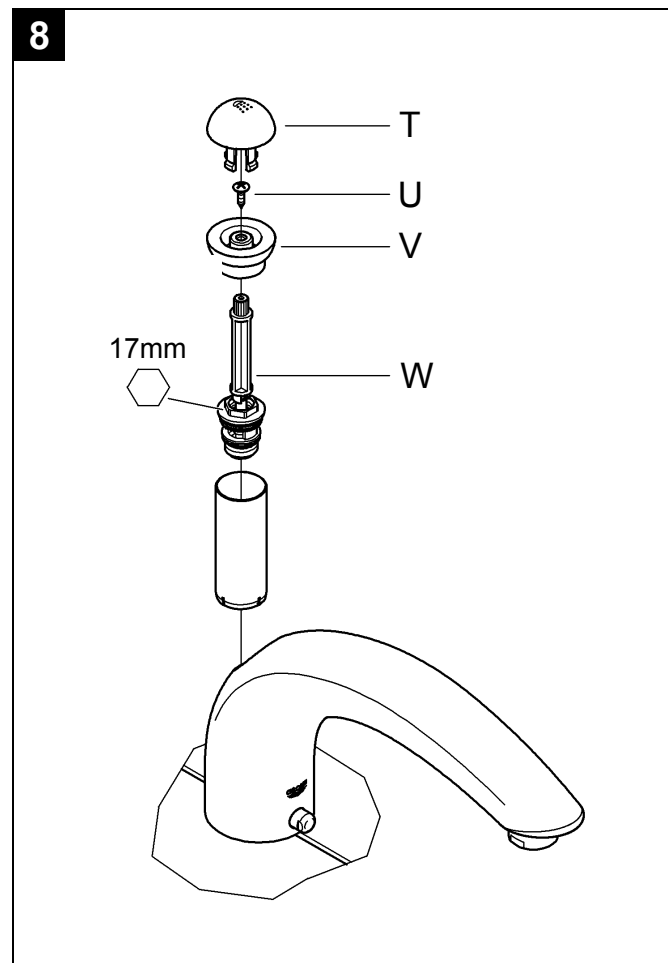
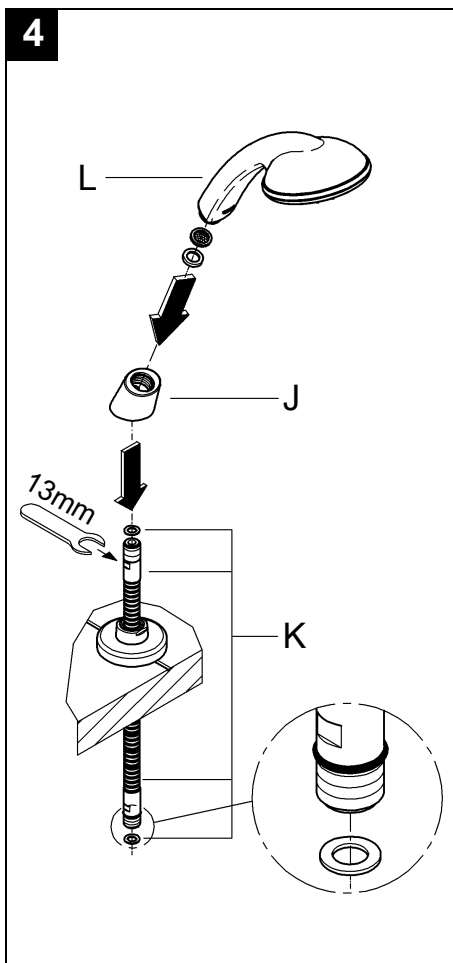
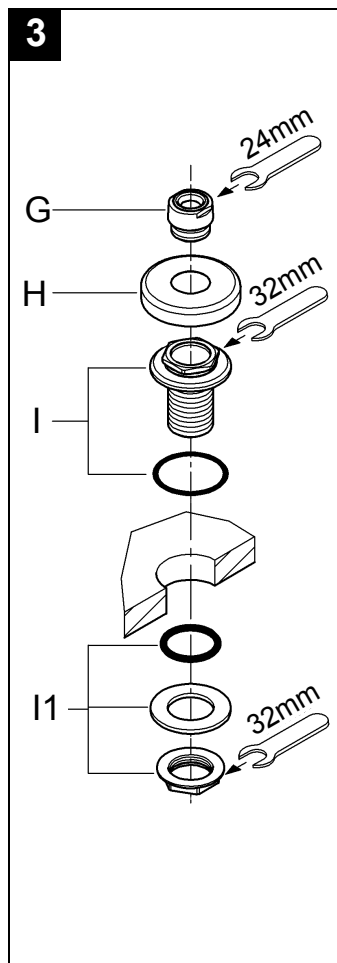
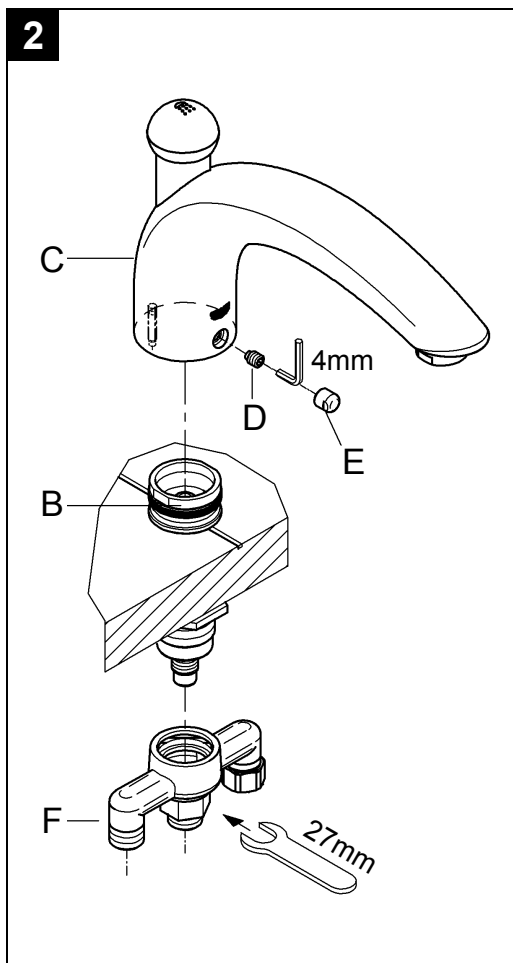
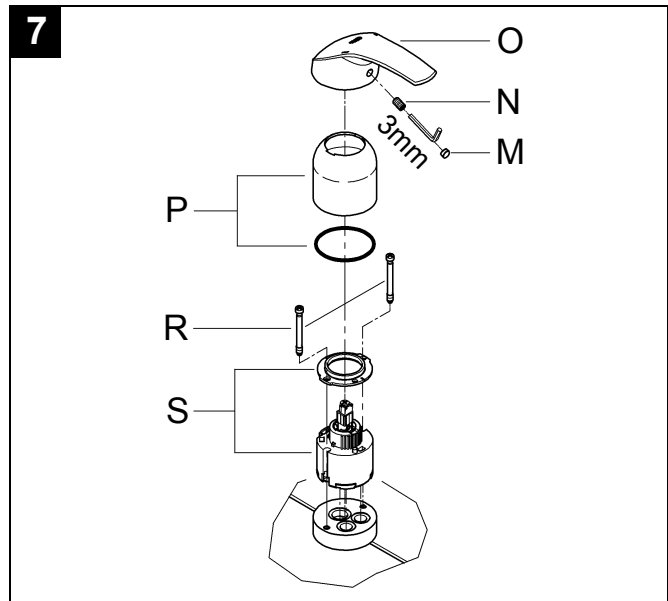
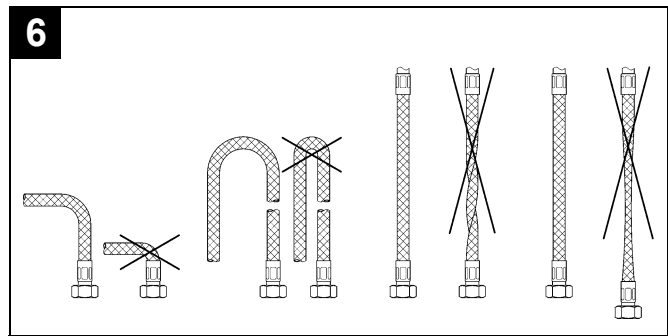
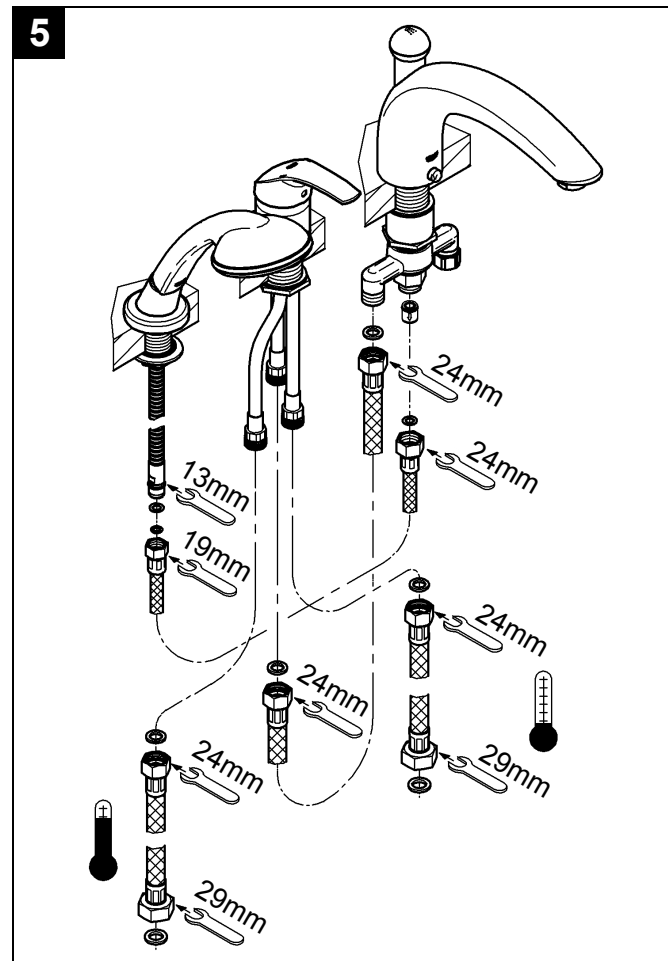
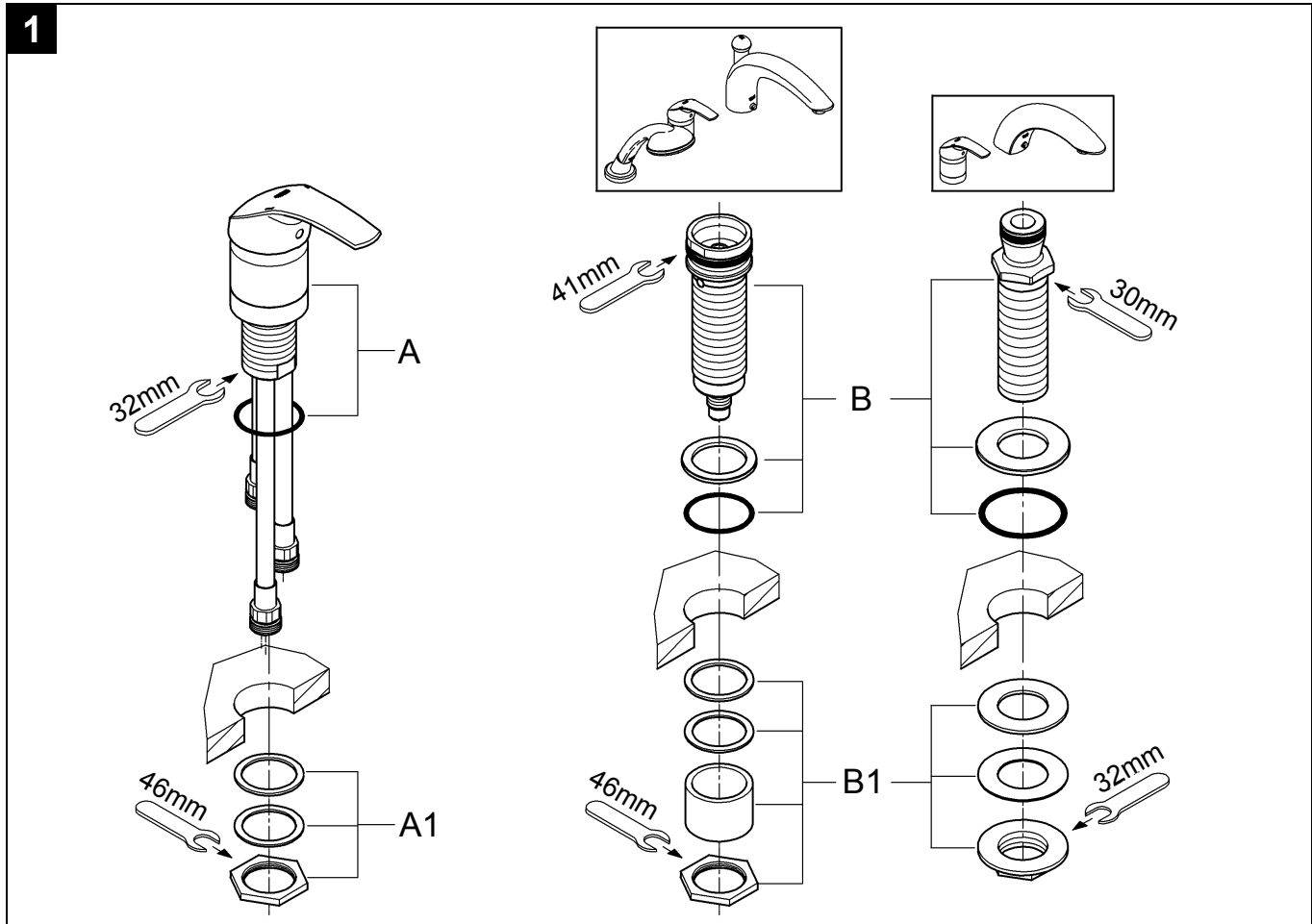
32 644



32 645



Please pass these instructions on to the end user of the fitting!
 S.v.p remettre cette instruction à l'utilisateur de la robinetterie!
 Entregue estas instrucciones al usuario final de la grifería!





Application

Operation is possible in conjunction with:

- Pressurized storage heaters
- Thermally controlled instantaneous heaters
- Hydraulically controlled instantaneous heaters

Operation with low-pressure storage heaters (displacement water heaters) is **not** possible.

Specifications

- Max. flow
 - Spout approx. 24 l/min or 6.3 gpm
 - Handshower max. 9.5 l/min or 2.5 gpm
- Flow pressure
 - min. 7.25 psi
 - recommended 14.5 - 72.5 psi
 - greater than 72.5 psi, fit with pressure reducing valves
- Max. operating pressure 145 psi
- Test pressure 232 psi
- Temperature
 - max. (hot water inlet) 176 °F
 - Scalding protection possible by fitting a handle rotation stop (see replacement parts fold-out page I, order no. 46 308).
- Water connection
 - cold - Right hand
 - hot - Left hand

Notes

- Installation of backflow protection must comply with local codes and regulations.
- An access panel must be provided for access to diverting unit and hose connections.
- Major pressure differences between cold and hot water supply should be avoided.

Installation

Layout dimensions to establish centers and proper clearances, see dimensional drawing on fold-out page I.

Flush pipes thoroughly!

Installing faucet body

- Fit faucet body (A) with mounting set (A1), see fold-out page II, fig. [1].

Installing spout, see figs. [1] and [2].

1. Fit shank (B) with mounting set (B1), see fig. [1].
2. Fit spout (C) to the shank (B), tighten set screw (D) with 4mm allen wrench and screw on cover cap (E), see fig. [2].
3. Screw diversion part (F) on shank (B).

Installing hose guide and hand shower, see figs. [3] and [4].

1. Unscrew guide (G) and remove escutcheon (H), see fig. [3].
2. Fit hose guide (I) with mounting set (I1).
3. Fit escutcheon (H) and screw on guide (G).
4. Screw coupling piece (J) onto shower hose (K), see fig. [4].
5. Screw handshower (L) to coupling piece (J).

Connecting the faucet, see figs. [5] and [6].

The hot water supply should be connected on the left, the cold water supply on the right side.

Open cold and hot water supply and check connections for leakage.

Operation

a) Lever

- Pull lever = open (water flow)
- Press lever down = closed
- Turn lever right = cold water
- Turn lever left = hot water

b) Diverter

Pulling the lever will release water supply.

Water will emerge from the bath spout first.

- Pull diverter knob = to divert flow from bath spout to shower outlet

- Press diverter knob = to divert flow from shower outlet to bath spout

Flow is diverted automatically from shower outlet to bath spout when the mixer is turned off.

Maintenance

Inspect and clean all parts, replace as necessary and grease with special grease.

Shut off cold and hot water supply!

I. Replacing the cartridge, see fig. [7].

1. Lever out plug (M).
2. Loosen set screw (N) with 3mm allen wrench and pull off lever (O).
3. Unscrew cap (P).
4. Remove screws (R).
5. Replace complete cartridge (S).

Assemble in reverse order.

Observe the correct installation position.

Make sure that the cartridge seals engage in the grooves on the housing. Fit screws (R) and tighten **evenly and alternately**.

II. Diverter, see fig. [8].

1. Pull off cover cap (T).
2. Screw out screw (U) and detach diverter knob (V).
3. Unscrew diverter (W) by using a 17mm socket wrench.

III. Shower hose, see fig. [9].

1. Pull out shower hose (K) and unscrew handshower (L) from coupling piece (J).
2. Unscrew guide (G) with integrated shower seal.

IV. Unscrew and clean **flow control (13 907)**, see fold-out page I.

Assemble in reverse order.

Replacement parts, see fold-out page I (* = special accessories).

Care

Instructions for care of this faucet will be found in the Limited Warranty supplement.