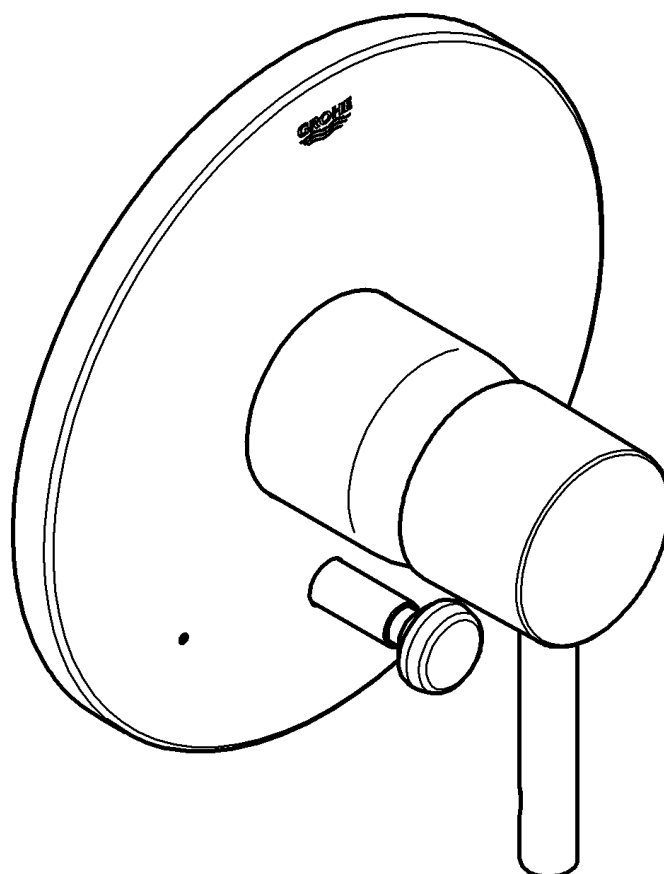


19 494

Essence



Essence

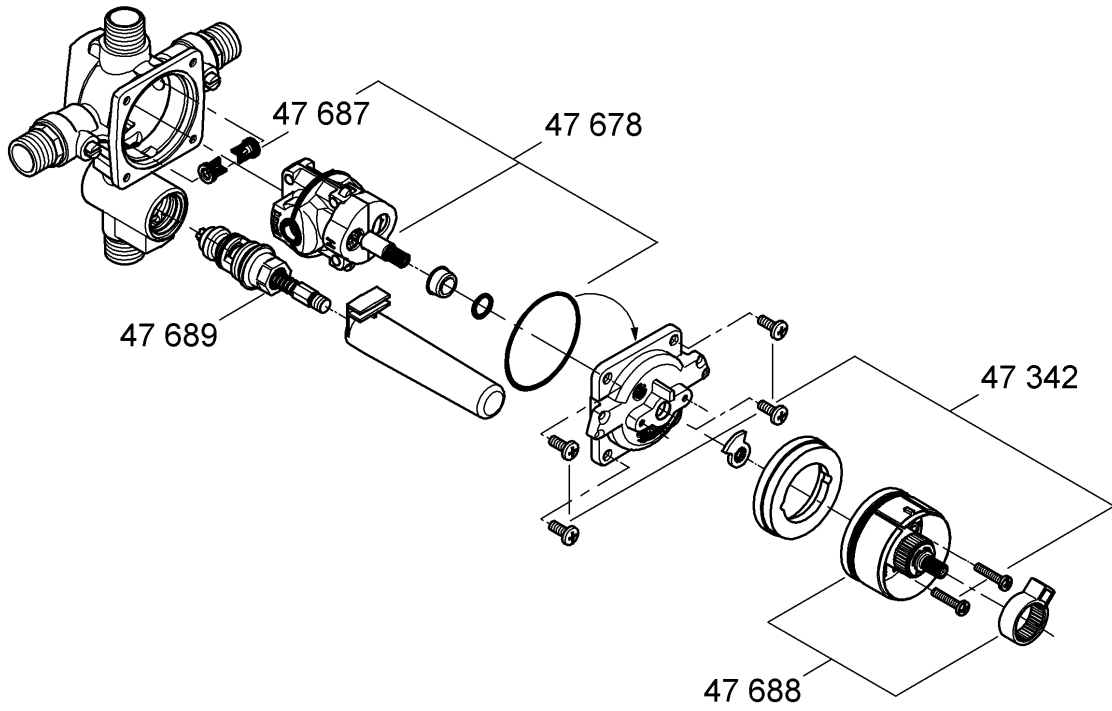
Design + Engineering GROHE Germany

96.615.031/ÄM 225453/01.13

GROHE

ENJOY WATER®

35 016



19 494

