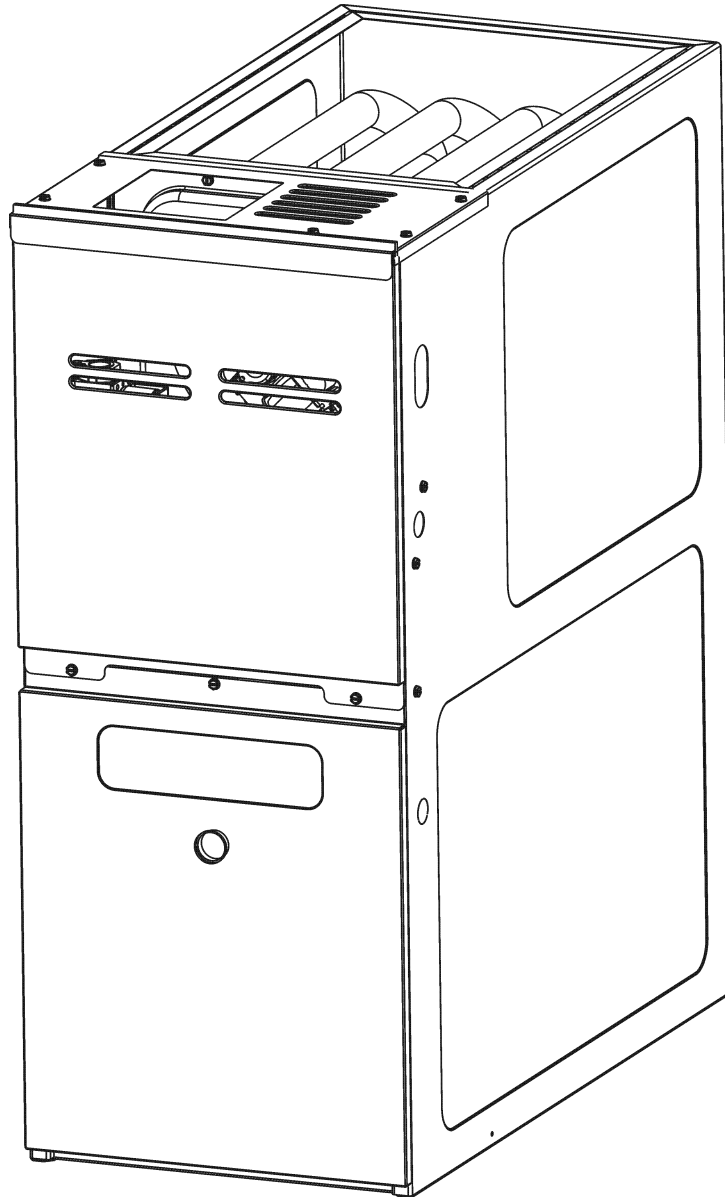


# REPAIR PARTS

---

## VMS 80% Single Stage Upflow Horizontal Furnace

VMS80403ANAA  
VMS80603ANAA  
VMS80604BNAA  
VMS80804BNAA  
VMS80805CNAA  
VMS81005CNAA



This manual is to be used by qualified technicians only.

© 2017 Goodman Manufacturing Company, L.P. ♦ 5151 San Felipe St., Suite 500 ♦ Houston, TX 77056

# Important Information

---

## Index

Functional Parts List .....	3
Illustration and Parts .....	4 - 9

*Views shown are for parts illustrations only, not servicing procedures.*

### Text Codes:

AR - As Required

NA - Not Available

NS - Not Shown

00000000 - See Note

QTY - Quantity Example (QTY 3) (If Quantity not shown, Quantity = 1)

M - Model Example (M1) (If M Code not shown, then part is used on all Models)

### Expanded Model Nomenclature:

Example M1 - Model#1 M2 - Model#2 M3 - Model#3
---

Goodman Manufacturing Company, L.P. is not responsible for personal injury or property damage resulting from improper service. Review all service information before beginning repairs.

Warranty service must be performed by an authorized technician, using authorized factory parts. If service is required after the warranty expires, Goodman Manufacturing Company, L.P. also recommends contacting an authorized technician and using authorized factory parts.

Goodman Manufacturing Company, L.P. reserves the right to discontinue, or change at any time, specifications or designs without notice or without incurring obligations.

For assistance within the U.S.A. contact:  
Homeowner Support  
Goodman Manufacturing Company, L.P.  
19001 Kermier Road  
Waller, Texas 77484  
877-254-4729-Telephone  
713-863-2382-Facsimile

For assistance outside the U.S.A. contact:  
International Division  
Goodman Manufacturing Company, L.P.  
19001 Kermier Road  
Waller, Texas 77484  
713-861-2500-Telephone  
713-863-2382-Facsimile

# Functional Parts

## Part

## No: Description:

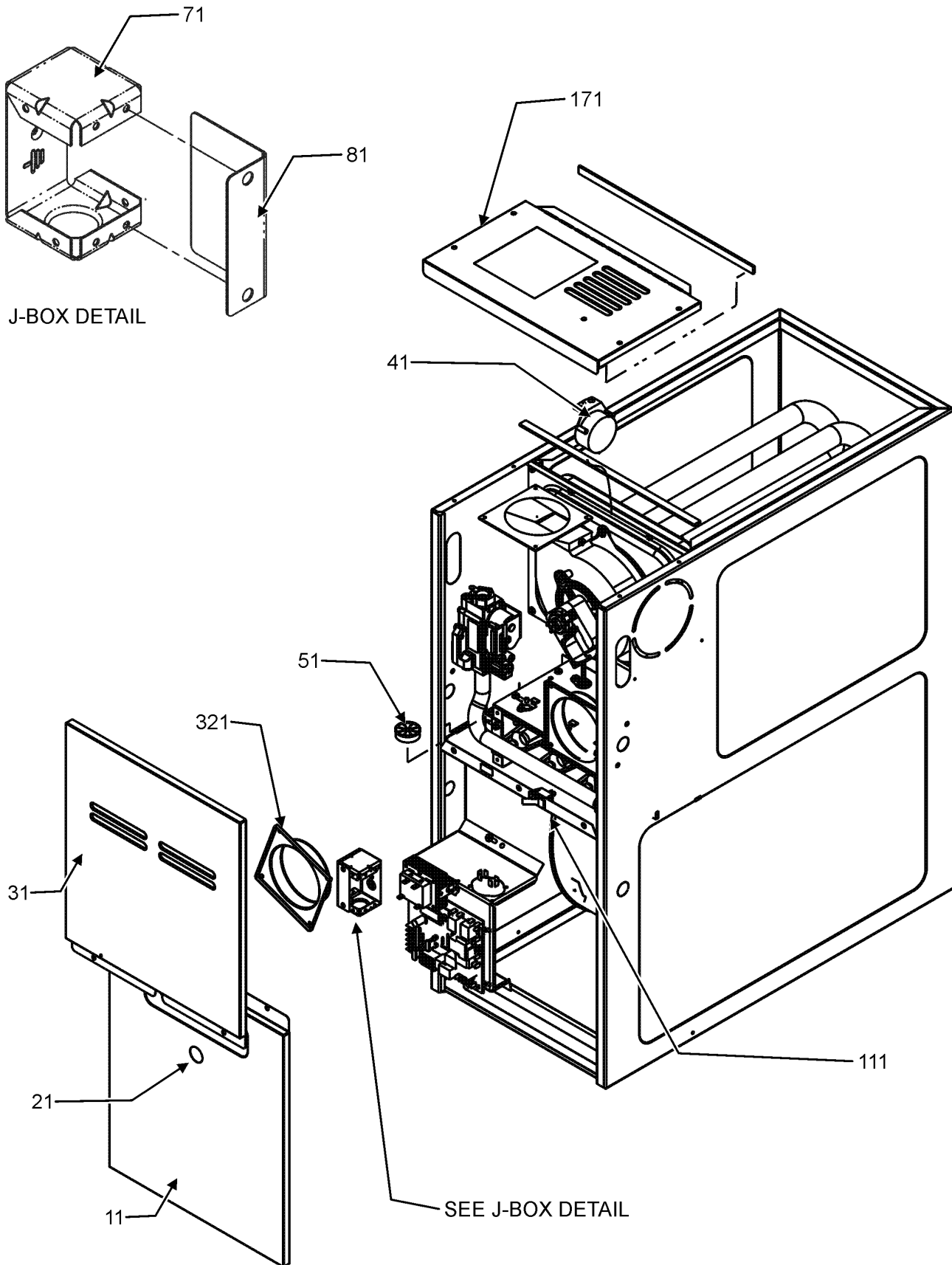
---

20162904	*PRIMARY LIMIT-TEMPERATURE CONTROL (M2, M3, M4, M6) *Refer to service bulletin SF-054
B1368034	BLOWER WHEEL 10 X 6 (M1, M2)
CAP200000370CP	CAP, 20 MFD/370V/ RD
0130F00010	FLAME SENSOR
0151M00037	GAS VALVE
10690402	INTERLOCK SWITCH
10123529	MANUAL RESET LIMIT-GREEN (QTY 2)
0131F00043	MOTOR, 1/2HP, 4SP, 6PL (M5, M6)
0131F00042	MOTOR, 1/2HP, 4SP, 6PL (M3, M4)
0131F00041	MOTOR, 1/3HP, 4SP, 6PL (M1, M2)
PCBBF134	PCB, IGNITION, HSI, INTEG
20162901	PRESSURE LIMIT-RED (M1)
B1370179	PRESSURE SWITCH (M2, M3, M5)
B1370158	PRESSURE SWITCH -0.70" WC (M1, M4, M6)
20162903	PRIMARY LIMIT - BLUE (M5)
0130F00038	PRIMARY LIMIT - LT BLUE 120° (AUX)
0130F00008	SINI IGNITOR
0130M00140	TRANSFORMER 120V TO 24V, 40VA
0131M00002P	VENT MOTOR
DY6.186.070	VENT MOTOR CAPACITOR
0150M00042	WHEEL, BLOWER (10 X 10) (M5, M6)
0150M00043	WHEEL, BLOWER (10 X 8) (M3, M4)

### Expanded Model Nomenclature

M1 - VMS80403ANAA
M2 - VMS80603ANAA
M3 - VMS80604BNAA
M4 - VMS80804BNAA
M5 - VMS80805CNAA
M6 - VMS81005CNAA

# Wrapper Assembly



# Wrapper Assembly

Ref. Part No:	No:	Description:	Ref. Part No:	No:	Description:
---------------	-----	--------------	---------------	-----	--------------

---

**Image 1:**

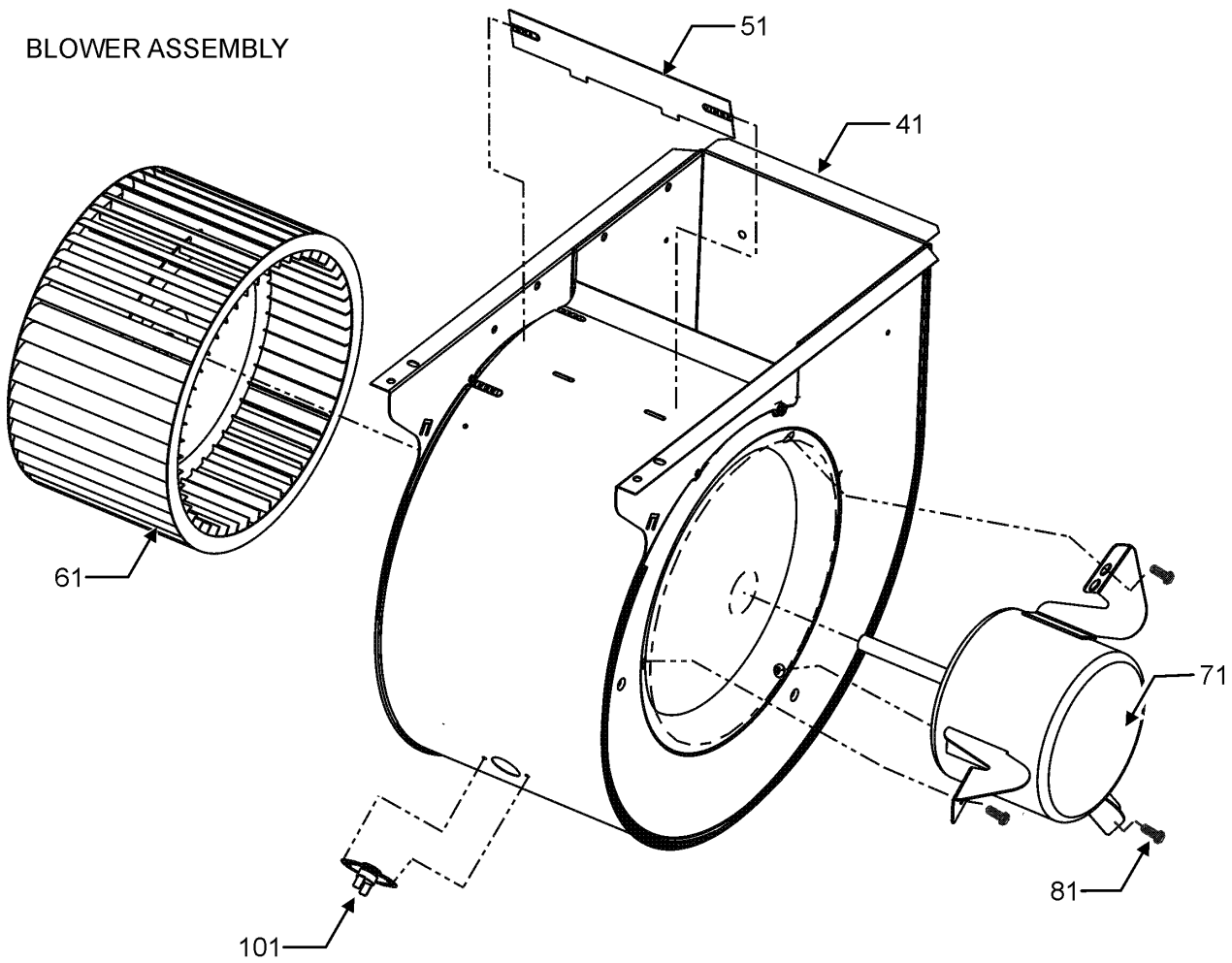
11	0121F00122DB	DOOR BLOWER, 14" - PAINTED (M1, M2)
11	0121F00123DB	DOOR BLOWER, 17.5" - PAINTED (M3, M4)
11	0121F00124DB	DOOR BLOWER, 21" - PAINTED (M5, M6)
21	B1392139	VIEW PORT BUSHING-BLOWER DOOR
31	0121F00118DB	DOOR CTRL ACCESS, 14"-PAINTED (M1, M2)
31	0121F00120DB	DOOR CTRL ACCESS, 21"-PAINTED (M5, M6)
31	0121F00119DB	DOOR CTRL ACCESS,17.5"-PAINTED (M3, M4)
41	B1370179	PRESSURE SWITCH (M2, M3, M5)
41	B1370158	PRESSURE SWITCH -0.70" WC (M1, M4, M6)
51	B1392147	UNIVERSAL BUSHING WITH SLICE
71	4014502	J-BOX
81	4015502	J-BOX COVER
111	10690402	INTERLOCK SWITCH
171	0121F00141DG	TOP 14" (M1, M2)
171	0121F00142DG	TOP 17.5" (M3, M4)
171	0121F00143DG	TOP 21" (M5, M6)
321	4023500	CHIMNEY TRANSITION TOP

**Expanded Model Nomenclature**

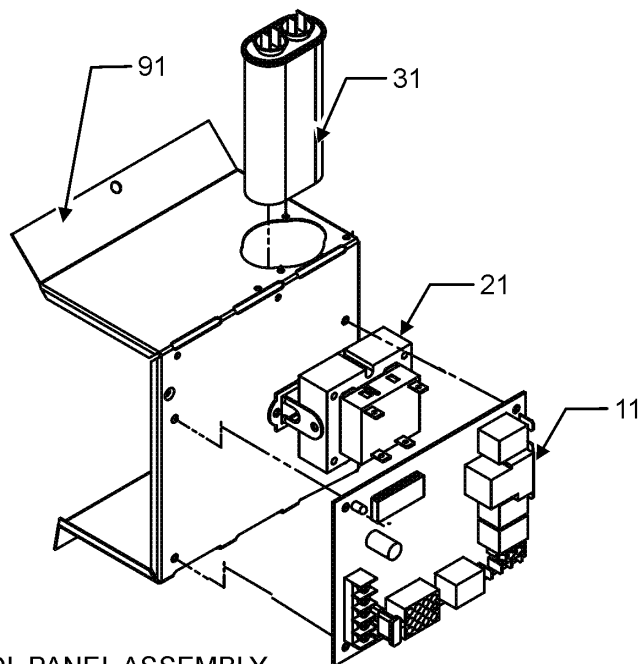
- |                   |
|-------------------|
| M1 - VMS80403ANAA |
| M2 - VMS80603ANAA |
| M3 - VMS80604BNAA |
| M4 - VMS80804BNAA |
| M5 - VMS80805CNAA |
| M6 - VMS81005CNAA |

# Blower Assembly

BLOWER ASSEMBLY



CONTROL PANEL ASSEMBLY



# Blower Assembly

Ref. Part No: No:	Description:	Ref. Part No: No:	Description:
-------------------	--------------	-------------------	--------------

---

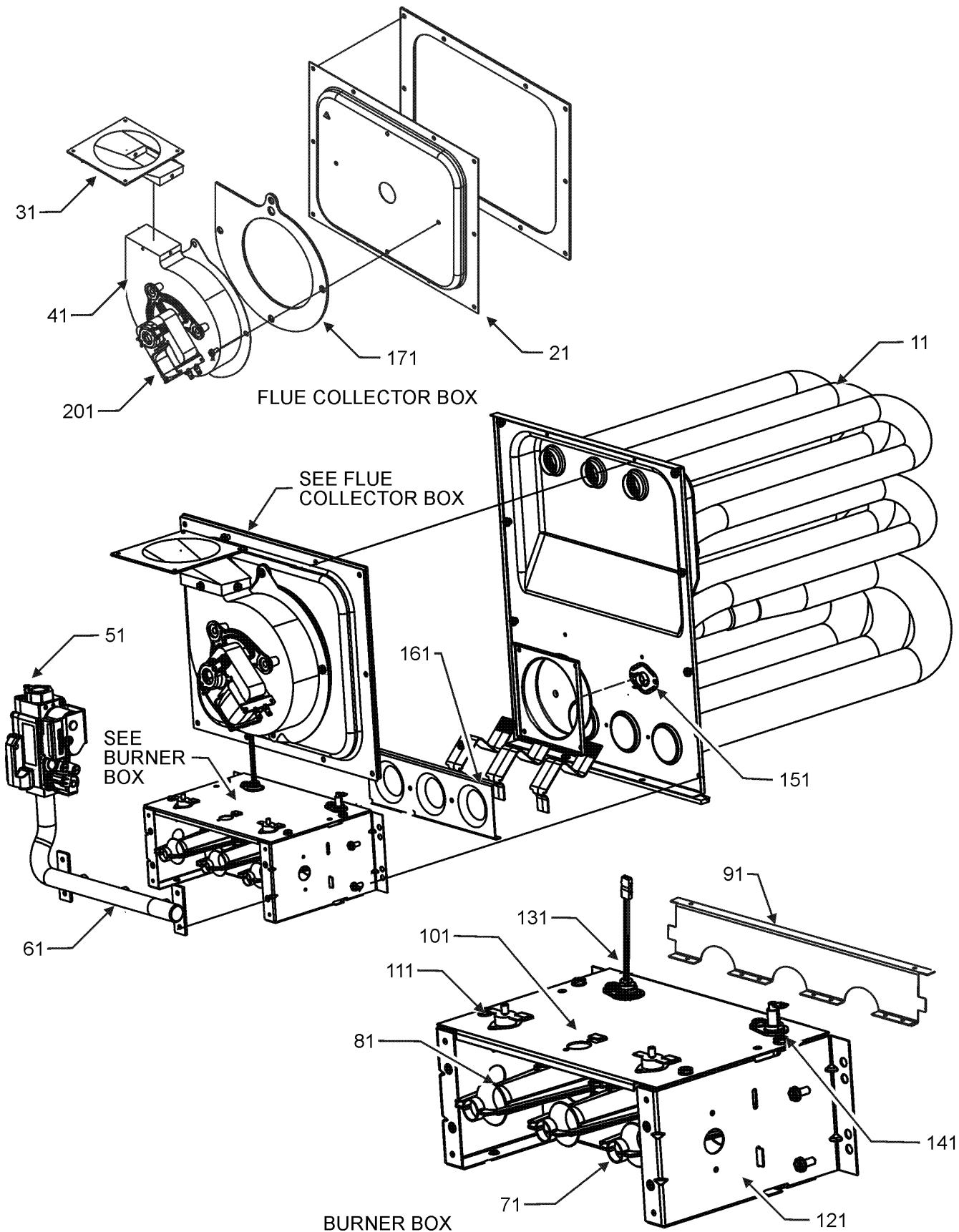
**Image 1:**

11	PCBBF134	PCB, IGNITION, HSI, INTEG
21	0130M00140	TRANSFORMER 120V TO 24V, 40VA
31	CAP200000370CP	CAP, 20 MFD/370V/ RD
41	2539307	BLOWER HOUSING 10 X 10 (M5, M6)
41	2539305	BLOWER HOUSING 10 X 6 (M1, M2)
41	2539306	BLOWER HOUSING 10 X 8 (M3, M4)
51	764741	BLOWER BLOCK-OFF 10 X 10 (M5, M6)
51	764740	BLOWER BLOCK-OFF 10 X 8 (M3, M4)
51	764739	BLOWER CUT-OFF 10 X 6 (M1, M2)
61	B1368034	BLOWER WHEEL 10 X 6 (M1, M2)
61	0150M00042	WHEEL, BLOWER (10 X 10) (M5, M6)
61	0150M00043	WHEEL, BLOWER (10 X 8) (M3, M4)
71	0131F00042	MOTOR, 1/2HP, 4SP, 6PL (M3, M4)
71	0131F00043	MOTOR, 1/2HP, 4SP, 6PL (M5, M6)
71	0131F00041	MOTOR, 1/3HP, 4SP, 6PL (M1, M2)
81	M0250558	TC SCREW (QTY 3)
91	1815817	CONTROL MOUNT PANEL
101	0130F00038	PRIMARY LIMIT - LT BLUE 120° (AUX)

**Expanded Model Nomenclature**

- |                   |
|-------------------|
| M1 - VMS80403ANAA |
| M2 - VMS80603ANAA |
| M3 - VMS80604BNAA |
| M4 - VMS80804BNAA |
| M5 - VMS80805CNAA |
| M6 - VMS81005CNAA |

# Heat Exchanger Assembly





# Heat Exchanger Assembly

Ref. Part No:	Part No:	Description:	Ref. Part No:	Part No:	Description:
<i>Image 1:</i>					
11	0270F00900	HEAT EXCHANGER ASSY (M1)			
11	0270F00901	HEAT EXCHANGER ASSY (M2)			
11	0270F00902	HEAT EXCHANGER ASSY (M4)			
11	0270F00903	HEAT EXCHANGER ASSY (M6)			
11	0270F00929	HEAT EXCHANGER ASSY (M3)			
11	0270F00930	HEAT EXCHANGER ASSY (M5)			
21	0121F00333	21" COLLECTOR BOX 1.75" DIA (M5, M6)			
21	0121F00126	FLUE COLLECTOR BOX KIT 14" 1.25 DIA (M1)			
21	0121F00198	FLUE COLLECTOR BOX KIT 14" 1.75 DIA (M2)			
21	0121F00128	FLUE COLLECTOR BOX KIT 17.5" 1.75 DIA (M3, M4)			
31	0128F00006	CHIMNEY TRANSITION BOTTOM			
41	0131M00002P	VENT MOTOR			
51	0151M00037	GAS VALVE			
61	0120F00006	MANIFOLD (M1)			
61	0120F00007	MANIFOLD (M2, M3)			
61	0120F00008	MANIFOLD (M4, M5)			
61	0120F00009	MANIFOLD (M6)			
71	10716005	ORIFICE (QTY 2)			
81	B4022700	INSHOT BURNER ASSY 3" (QTY 2)			
91	0121F00167	BURNER BRACKET 2B (M1)			
91	0121F00168	BURNER BRACKET 3B (M2, M3)			
91	0121F00169	BURNER BRACKET 4B (M4, M5)			
91	0121F00170	BURNER BRACKET 5B (M6)			
101	0121F00162	BURNER BOX TOP 2 CELL (M1)			
101	0121F00163	BURNER BOX TOP 3 CELL (M2, M3)			
101	0121F00164	BURNER BOX TOP 4 CELL (M4, M5)			
101	0121F00165	BURNER BOX TOP 5 CELL (M6)			
111	10123529	MANUAL RESET LIMIT-GREEN (QTY 2)			
121	0121F00146	BURNER BOX SIDE (QTY 2)			
131	0130F00008	SINI IGNITOR			
141	0130F00010	FLAME SENSOR			
151	20162904	*PRIMARY LIMIT-TEMPERATURE CONTROL (M2, M3, M4, M6)			
		*Refer to service bulletin SF-054			
151	20162901	PRESSURE LIMIT-RED (M1)			
151	20162903	PRIMARY LIMIT - BLUE (M5)			
161	4028000	ORIFICE SHIELD 2 CELL (M1)			
161	4028001	ORIFICE SHIELD 3 CELL (M2, M3)			
161	4028002	ORIFICE SHIELD 4 CELL (M4, M5)			
161	4028003	ORIFICE SHIELD 5 CELL (M6)			
171	0154F00003	VENT MOTOR GASKET 14" (M1, M2)			
171	0154F00004	VENT MOTOR GASKET 17.5" (M3, M4)			
171	0154F00005	VENT MOTOR GASKET 21" (M5, M6)			
201	DY6.186.070	VENT MOTOR CAPACITOR			
NS	0259F00054	12-PIN WIRE HARNESS ASSY			
NS	0159F00060	WIRE HARNESS ASSY, IGNITOR			
NS	0259F00078	WIRE KIT ASSY			

## Expanded Model Nomenclature

M1 - VMS80403ANAA
M2 - VMS80603ANAA
M3 - VMS80604BNAA
M4 - VMS80804BNAA
M5 - VMS80805CNAA
M6 - VMS81005CNAA