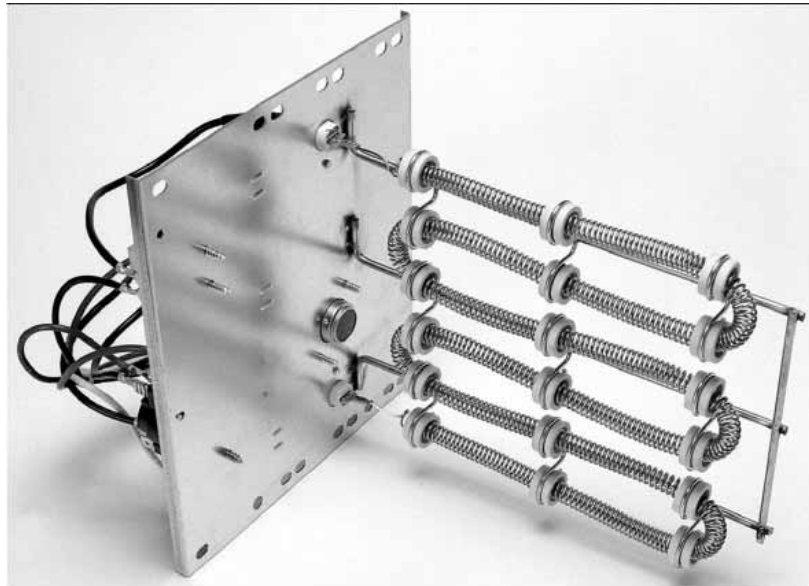


# REPAIR PARTS

---

## HKS Heater Kits

HKSC05XCAA  
HKSC08XCAA  
HKSC10XCAA  
HKSC15XAAA  
HKSC15XBAA  
HKSC19CAAA  
HKSC19CBAA  
HKSC20DAAA  
HKSC20DBAA  
HKSX03XCAA  
HKSX05XCAA  
HKSX06XCAA  
HKSX08XCAA  
HKSX10XCAA



This manual is to be used by qualified technicians only.

© 2012 Goodman Manufacturing Company, L.P. ♦ 5151 San Felipe, Suite 500 ♦ Houston, TX 77056

# Important Information

---

## Index

Functional Parts List .....	3
Illustration and Parts .....	4 - 9

*Views shown are for parts illustrations only, not servicing procedures.*

Rev A: Electric Heater Kit for the ARUF and ARPT Air Handlers.

### Text Codes:

AR - As Required

NA - Not Available

NS - Not Shown

00000000 - See Note

QTY - Quantity Example (QTY 3) (If Quantity not shown, Quantity = 1)

M - Model Example (M1) (If M Code not shown, then part is used on all Models)

### Expanded Model Nomenclature:

Example M1 - Model#1 M2 - Model#2 M3 - Model#3
---

Goodman Manufacturing Company, L.P. is not responsible for personal injury or property damage resulting from improper service. Review all service information before beginning repairs.

Warranty service must be performed by an authorized technician, using authorized factory parts. If service is required after the warranty expires, Goodman Manufacturing Company, L.P. also recommends contacting an authorized technician and using authorized factory parts.

Goodman Manufacturing Company, L.P. reserves the right to discontinue, or change at any time, specifications or designs without notice or without incurring obligations.

For assistance within the U.S.A. contact:  
Consumer Affairs Department  
Goodman Manufacturing Company, L.P.  
7401 Security Way  
Houston, Texas 77040  
877-254-4729-Telephone  
713-863-2382-Facsimile

For assistance outside the U.S.A. contact:  
International Division  
Goodman Manufacturing Company, L.P.  
7401 Security Way  
Houston, Texas 77040  
713-861-2500-Telephone  
713-863-2382-Facsimile

# Functional Parts

## Part

## No: Description:

---

CBK2PD240VA030	CIRCUIT BREAKER , 2 POLE, DUAL, 120/240V, 30A (M1, M5)
CBK2PD240VA045	CIRCUIT BREAKER , 2 POLE, DUAL, 120/240V, 45A (M6, M8)
CBK2PD240VA040	CIRCUIT BREAKER 40 AMP (GE) (M2)
CBK2PD240VA025	CIRCUIT BREAKER, 2 POLE, DUAL, 120/240V, 25A (M4)
CBK2PD240VA050	CIRCUIT BREAKER, 2 POLE, DUAL, 120/240V, 50A (M4, M6, M8)
CBK2PD240VA060	CIRCUIT BREAKER, 2 POLE, DUAL, 120/240V, 60A (M3, M5, M7, M9)
0200-195-001P	FUSE LINK 84°C (M10)
0200-086-001P	FUSE LINK 93°C (M1, M2, M3, M4, M5, M6, M7, M8, M9, M11, M12, M13, M14)
0175M00007	HEATER ELEMENT 14.40 KW (M4, M5)
0175M00010	HEATER ELEMENT 19.20 KW (M6, M7)
0175M00008	HEATER ELEMENT 19.20 KW (M8, M9)
0175M00002	HEATER ELEMENT 3.00 KW (M10)
0175M00003	HEATER ELEMENT 4.80 KW (M1, M11)
0175M00004	HEATER ELEMENT 6.00 KW (M12)
0175M00005	HEATER ELEMENT 8.00 KW (M2, M13)
0175M00006	HEATER ELEMENT 9.60 KW (M3, M14)
0200-194-001P	LIMIT
B1256558	SEQUENCER (M1, M4, M5, M10, M11)
B1256559	SEQUENCER (M2, M3, M4, M5, M6, M7, M8, M9, M12, M13, M14)
B1368250	TERMINAL BLOCK (HIGH VOLTAGE) (M10, M11, M12, M13, M14)

# HKSC Heater Kits with Circuit Breakers

IMAGE 1

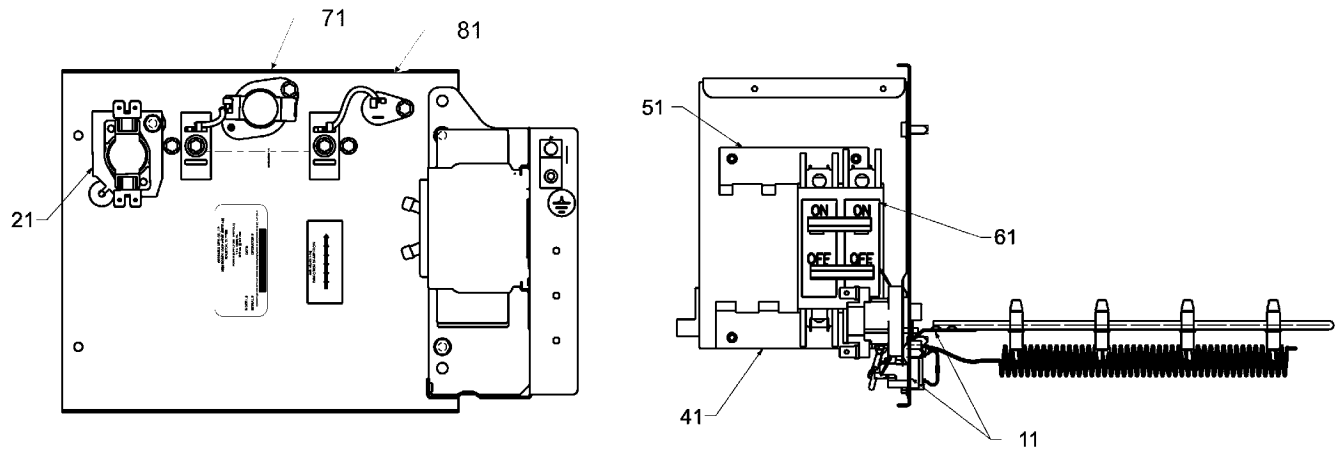
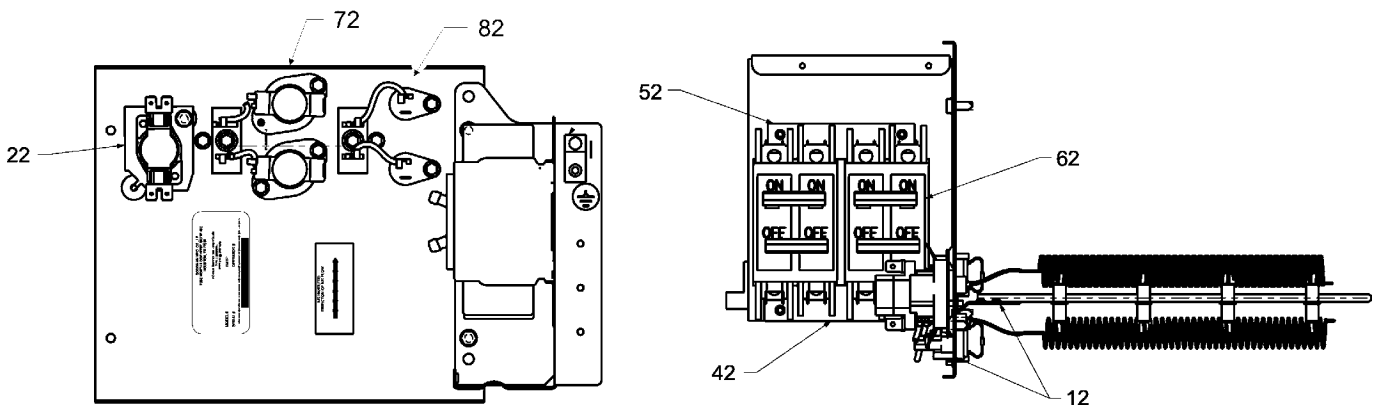


IMAGE 2



# HKSC Heater Kits with Circuit Breakers

Ref. Part No: No:	Description:	Ref. Part No: No:	Description:
-------------------	--------------	-------------------	--------------

*Image 1:*

11	0175M00003	HEATER ELEMENT 4.80 KW (M1)
21	B1256558	SEQUENCER (M1)
41	0121A00368	MOUNTING BRACKET (M1)
51	0121A00369	MOUNTING BRACKET (M1)
61	CBK2PD240VA030	CIRCUIT BREAKER , 2 POLE, DUAL, 120/240V, 30A (M1)
71	0200-194-001P	LIMIT (M1)
81	0200-086-001P	FUSE LINK 93°C (M1)
NS	0259K00011	WIRE ASSY, 9 PIN FEMALE (M1)

*Image 2:*

12	0175M00005	HEATER ELEMENT 8.00 KW (M2)
12	0175M00006	HEATER ELEMENT 9.60 KW (M3)
22	B1256559	SEQUENCER (M2, M3)
42	0121A00368	MOUNTING BRACKET (M2, M3)
52	0121A00369	MOUNTING BRACKET (M2, M3)
62	CBK2PD240VA040	CIRCUIT BREAKER 40 AMP (GE) (M2)
62	CBK2PD240VA060	CIRCUIT BREAKER, 2 POLE, DUAL, 120/240V, 60A (M3)
72	0200-194-001P	LIMIT (M2, M3)
82	0200-086-001P	FUSE LINK 93°C (M2, M3)
NS	0259K00011	WIRE ASSY, 9 PIN FEMALE (M2, M3)

Expanded Model Nomenclature

M1 - HKSC05XCAA
M2 - HKSC08XCAA
M3 - HKSC10XCAA
M4 - HKSC15XAAA
M5 - HKSC15XBAA
M6 - HKSC19CAAA
M7 - HKSC19CBAA
M8 - HKSC20DAAA
M9 - HKSC20DBAA
M10 - HKSX03XCAA
M11 - HKSX05XCAA
M12 - HKSX06XCAA
M13 - HKSX08XCAA
M14 - HKSX10XCAA

# HKSC Heater Kits with Circuit Breakers

IMAGE 1

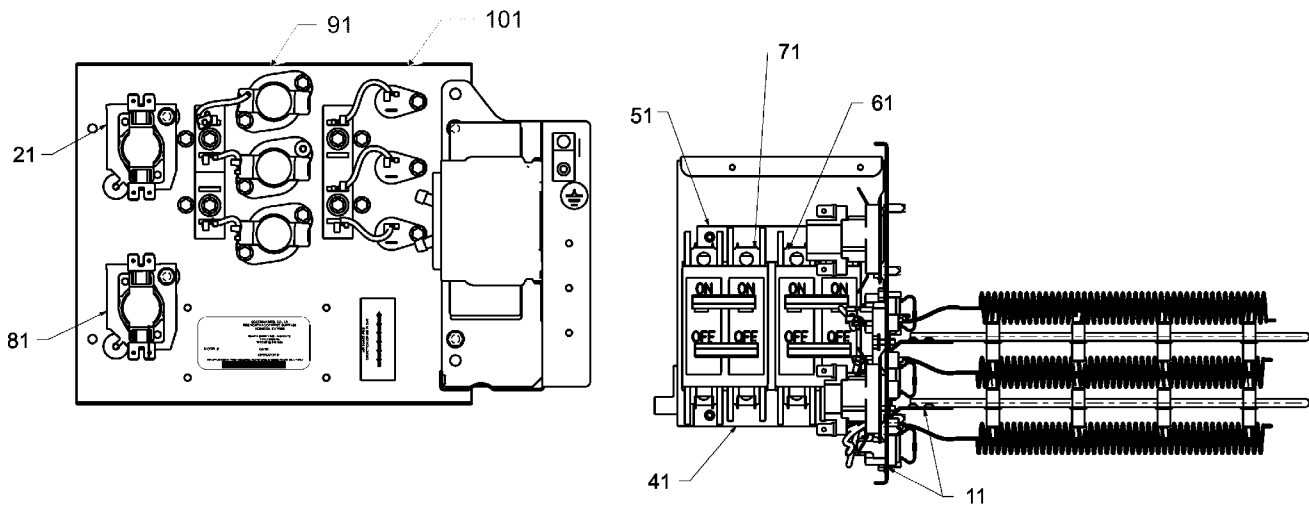
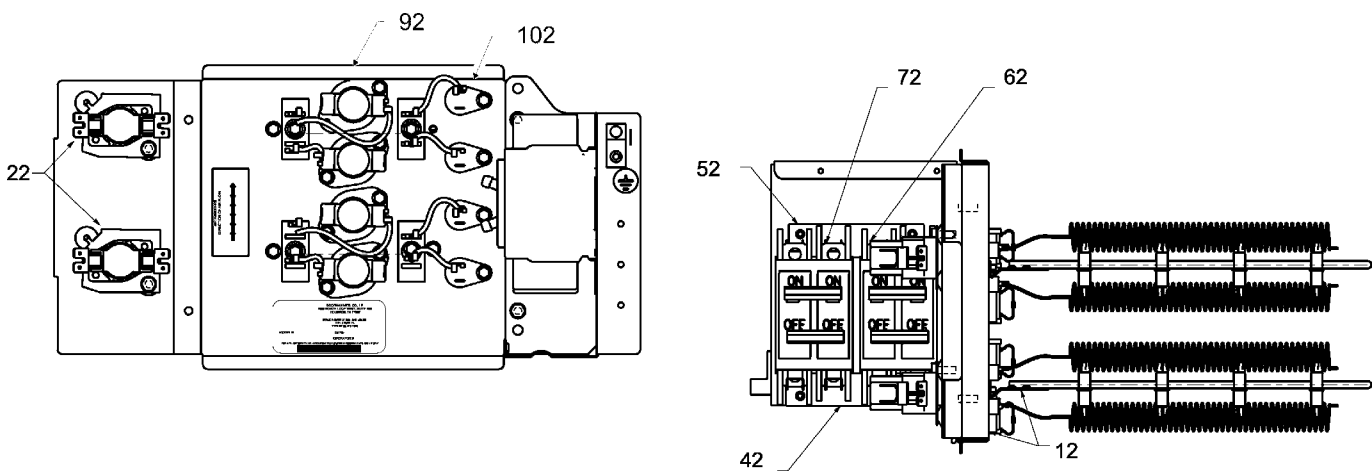


IMAGE 2



# HKSC Heater Kits with Circuit Breakers

Ref. Part No:	Ref. Part No:	Description:	Description:
---------------	---------------	--------------	--------------

*Image 1:*

11	0175M00007	HEATER ELEMENT 14.40 KW (M4, M5)
21	B1256558	SEQUENCER (M4, M5)
41	0121A00368	MOUNTING BRACKET (M4, M5)
51	0121A00369	MOUNTING BRACKET (M4, M5)
61	CBK2PD240VA050	CIRCUIT BREAKER, 2 POLE, DUAL, 120/240V, 50A (M4)
61	CBK2PD240VA060	CIRCUIT BREAKER, 2 POLE, DUAL, 120/240V, 60A (M5)
71	CBK2PD240VA030	CIRCUIT BREAKER, 2 POLE, DUAL, 120/240V, 30A (M5)
71	CBK2PD240VA025	CIRCUIT BREAKER, 2 POLE, DUAL, 120/240V, 25A (M4)
81	B1256559	SEQUENCER (M4, M5)
91	0200-194-001P	LIMIT (M4, M5)
101	0200-086-001P	FUSE LINK 93°C (M4, M5)
NS	0259K00012	WIRE ASSY, 9 PIN FEMALE (M4, M5)

*Image 2:*

12	0175M00008	HEATER ELEMENT 19.20 KW (M8, M9)
12	0175M00010	HEATER ELEMENT 19.20 KW (M6, M7)
22	B1256559	SEQUENCER (M6, M7, M8, M9)
42	0121A00368	MOUNTING BRACKET (M6, M7, M8, M9)
52	0121A00369	MOUNTING BRACKET (M6, M7, M8, M9)
62	CBK2PD240VA050	CIRCUIT BREAKER, 2 POLE, DUAL, 120/240V, 50A (M6, M8)
62	CBK2PD240VA060	CIRCUIT BREAKER, 2 POLE, DUAL, 120/240V, 60A (M7, M9)
72	CBK2PD240VA045	CIRCUIT BREAKER, 2 POLE, DUAL, 120/240V, 45A (M6, M8)
72	CBK2PD240VA060	CIRCUIT BREAKER, 2 POLE, DUAL, 120/240V, 60A (M7, M9)
92	0200-194-001P	LIMIT (M6, M7, M8, M9)
102	0200-086-001P	FUSE LINK 93°C (M6, M7, M8, M9)
NS	0259K00012	WIRE ASSY, 9 PIN FEMALE (M6, M7, M8, M9)

Expanded Model Nomenclature

M1 - HKSC05XCAA
M2 - HKSC08XCAA
M3 - HKSC10XCAA
M4 - HKSC15XAAA
M5 - HKSC15XBAA
M6 - HKSC19CAAA
M7 - HKSC19CBAA
M8 - HKSC20DAAA
M9 - HKSC20DBAA
M10 - HKSX03XCAA
M11 - HKSX05XCAA
M12 - HKSX06XCAA
M13 - HKSX08XCAA
M14 - HKSX10XCAA

# HKSX Heater Kits w/o Circuit Breakers

IMAGE 1

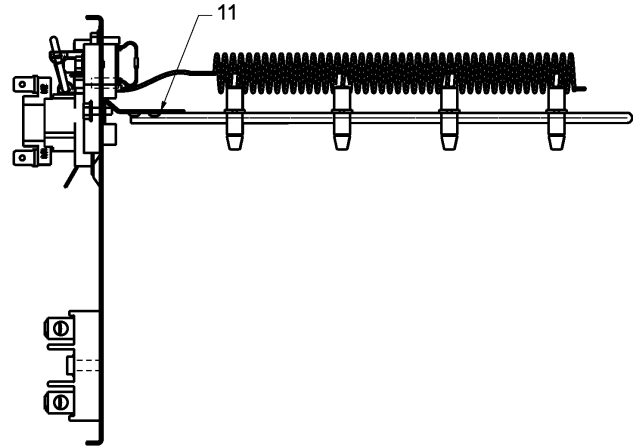
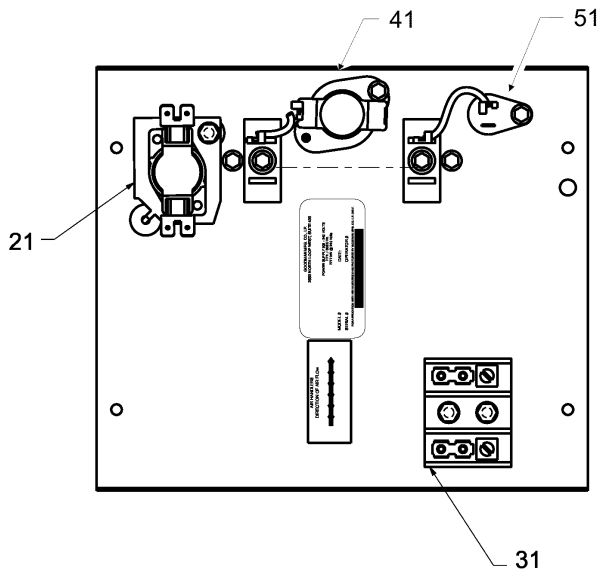
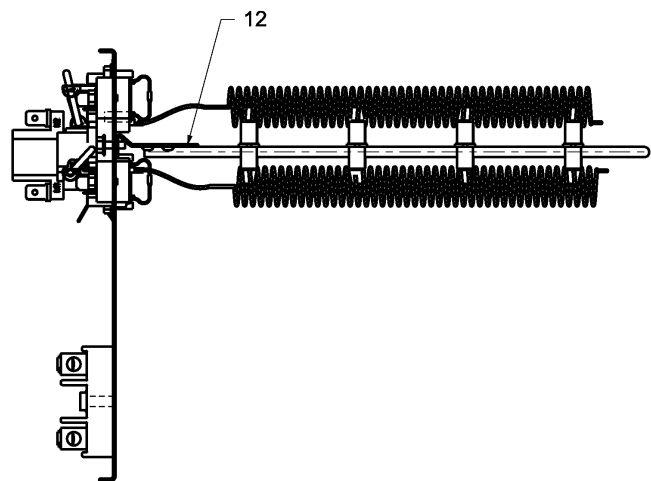
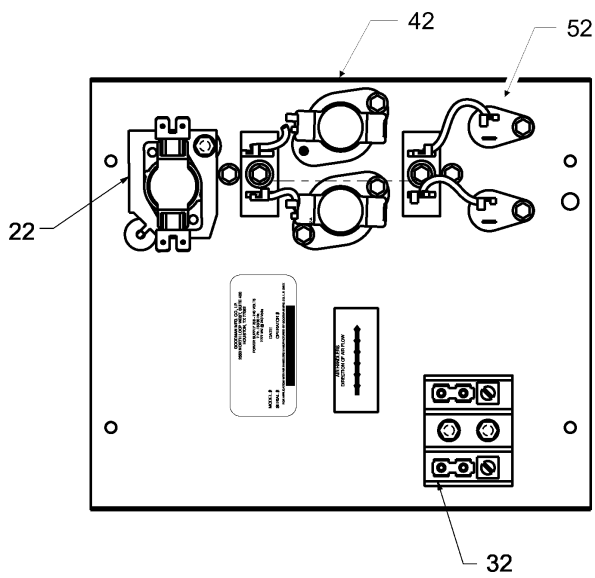


IMAGE 2





# HKSX Heater Kits w/o Circuit Breakers

Ref. Part No: No:	Description:	Ref. Part No: No:	Description:
-------------------	--------------	-------------------	--------------

*Image 1:*

11	0175M00002	HEATER ELEMENT 3.00 KW (M10)
11	0175M00003	HEATER ELEMENT 4.80 KW (M11)
21	B1256558	SEQUENCER (M10, M11)
31	B1368250	TERMINAL BLOCK (HIGH VOLTAGE) (M10, M11)
41	0200-194-001P	LIMIT (M10, M11)
51	0200-195-001P	FUSE LINK 84°C (M10)
51	0200-086-001P	FUSE LINK 93°C (M11)
NS	0259K00011	WIRE ASSY, 9 PIN FEMALE (M10, M11)

*Image 2:*

12	0175M00004	HEATER ELEMENT 6.00 KW (M12)
12	0175M00005	HEATER ELEMENT 8.00 KW (M13)
12	0175M00006	HEATER ELEMENT 9.60 KW (M14)
22	B1256559	SEQUENCER (M12, M13, M14)
32	B1368250	TERMINAL BLOCK (HIGH VOLTAGE) (M12, M13, M14)
42	0200-194-001P	LIMIT (M12, M13, M14)
52	0200-086-001P	FUSE LINK 93°C (M12, M13, M14)
NS	0259K00011	WIRE ASSY, 9 PIN FEMALE (M12, M13, M14)

Expanded Model Nomenclature

M1 - HKSC05XCAA
M2 - HKSC08XCAA
M3 - HKSC10XCAA
M4 - HKSC15XAAA
M5 - HKSC15XBAA
M6 - HKSC19CAAA
M7 - HKSC19CBAA
M8 - HKSC20DAAA
M9 - HKSC20DBAA
M10 - HKSX03XCAA
M11 - HKSX05XCAA
M12 - HKSX06XCAA
M13 - HKSX08XCAA
M14 - HKSX10XCAA