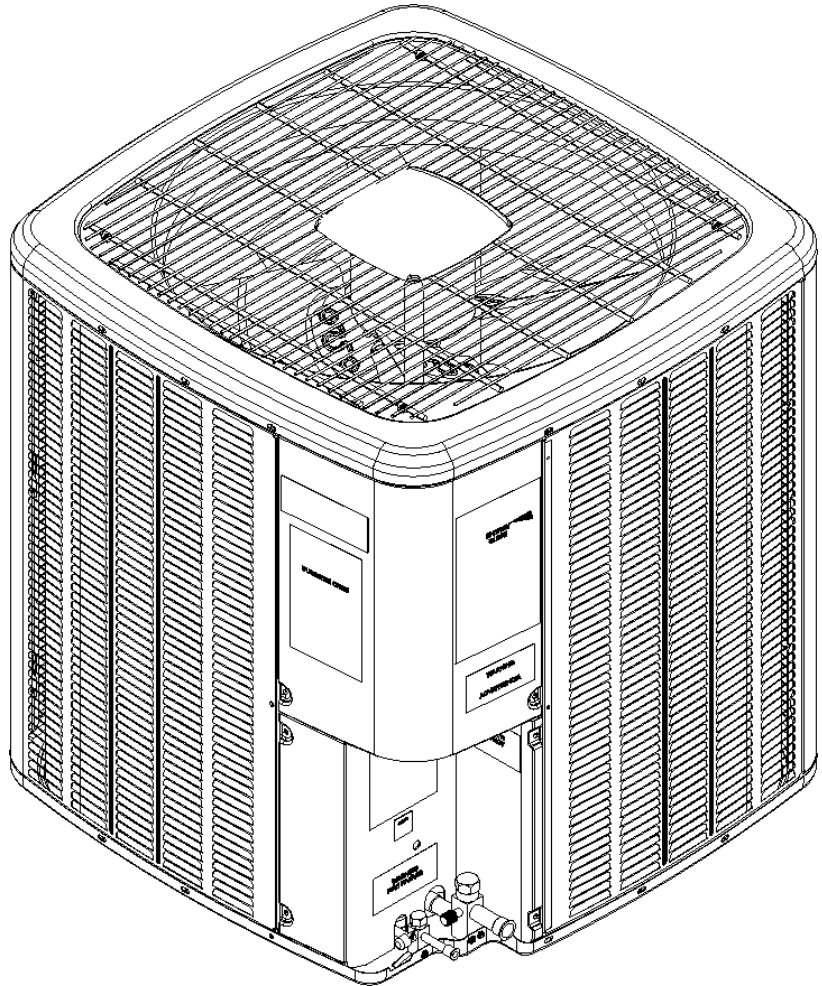


GSX16 Remote Condensing Unit

GSX160181FA
GSX160181FB
GSX160241FA
GSX160241FB
GSX160301FA
GSX160301FB
GSX160361FA
GSX160361FB
GSX160421FA
GSX160421FB
GSX160481FA
GSX160481FB
GSX160601FA
GSX160601FB
GSX160611FA
GSX160611FB



This manual is to be used by qualified technicians only.

This manual replaces RP-774B.

© 2013-2014 Goodman Manufacturing Company, L.P. ♦ 5151 San Felipe St., Suite 500 ♦ Houston, TX 77056

Important Information

Index

Functional Parts List	3
Illustration and Parts	4 - 9

Views shown are for parts illustrations only, not servicing procedures

Rev C: ball valve project

Text Codes:

AR - As Required

NA - Not Available

NS - Not Shown

00000000 - See Note

QTY - Quantity Example (QTY 3) (If Quantity not shown, Quantity = 1)

M - Model Example (M1) (If M Code not shown, then part is used on all Models)

Expanded Model Nomenclature:

Example M1 - Model#1 M2 - Model#2 M3 - Model#3

Goodman Manufacturing Company, L.P. is not responsible for personal injury or property damage resulting from improper service. Review all service information before beginning repairs.

Warranty service must be performed by an authorized technician, using authorized factory parts. If service is required after the warranty expires, Goodman Manufacturing Company, L.P. also recommends contacting an authorized technician and using authorized factory parts.

Goodman Manufacturing Company, L.P. reserves the right to discontinue, or change at any time, specifications or designs without notice or without incurring obligations.

For assistance within the U.S.A. contact:
Consumer Affairs Department
Goodman Manufacturing Company, L.P.
7401 Security Way
Houston, Texas 77040
877-254-4729-Telephone
713-863-2382-Facsimile

For assistance outside the U.S.A. contact:
International Division
Goodman Manufacturing Company, L.P.
7401 Security Way
Houston, Texas 77040
713-861-2500-Telephone
713-863-2382-Facsimile

Functional Parts

Part No: **Description:**

B12825171	3/8" SERVICE VALVE
0151R00045	BALL VALVE, 3/4 (M2, M4)
0151R00046	BALL VALVE, 7/8 (M6, M8, M10, M12, M14, M16)
CAP050350440CS	CAP, 5/35 MFD/440V/DUAL RD (M3, M4)
CAP050400440RTP	CAP, 5/40 MFD/440V/DUAL RD (M5, M6)
CAP050450440RTP	CAP, 5/45 MFD/440V/DUAL RD (M7, M8, M9, M10, M11, M12)
CAP050700440RTP	CAP, 5/70 MFD/440V/DUAL RD (M13, M14, M15, M16)
CAP050300440RS	CAPACITOR 5/30/370V (M1, M2)
ZP14K5EPFV130	COMP, 14650,208/230/60/1 (M1, M2)
ZP20K5EPFV130	COMP,20000,208/230/60/1 (M3, M4)
ZP34K5EPFV130	COMP,34500,208/230/60/1 (M9, M10)
ZP36K5EPFV130	COMP,36200,208/230/60/1 (M11, M12)
ZP44K5EPFV130	COMP,44400,280/230/60/1 (M13, M14)
ZP49K5EPFV130	COMP,49400,208/230/60/1 (M15, M16)
ZP24K5EPFV130	COMPRESSOR 24000, 208/230/60/1 (M5, M6)
ZP29K5EPFV130	COMPRESSOR 29000, 208/230/60/1 (M7, M8)
0131M00061	COND MOTOR 1/4 HP, 1 SP, 8 PL (M11, M12, M15, M16)
0131M00016P	COND MOTOR 1/6 HP, 1 SP, 8 PL (M1, M2, M3, M4, M5, M6, M7, M8, M9, M10)
0131M00401	COND MOTOR, ECM (M13, M14)
CONT1P025024V	CONTACTOR 25 AMP, 1P, 24V (M3, M4)
CONT1P025024V	CONTACTOR 25 AMP, 1P, 24V (M1, M2, M7, M8)
CONT1P030024V	CONTACTOR 30 AMP, 1P, 24V (M5, M6, M9, M10, M11, M12, M13, M14, M15, M16)
0150M00008	FAN BLADE 22" TNT2203-25 (M1, M2, M3, M4, M5, M6, M7, M8)
10625738	FAN BLADE 26" ALUM CCW (M9, M10, M11, M12, M15, M16)
0150M00010	FAN BLADE 26" ALUM CCW (M13, M14)
0163R00003S	HEATER, CRANKCASE 230V 40W (M13, M14)
0151R00032	VALVE, BASE 3/4" OPEN LEFT (M1, M3)
0151R00033	VALVE, BASE 7/8" OPEN LEFT (M5, M7, M9, M11, M13, M15)

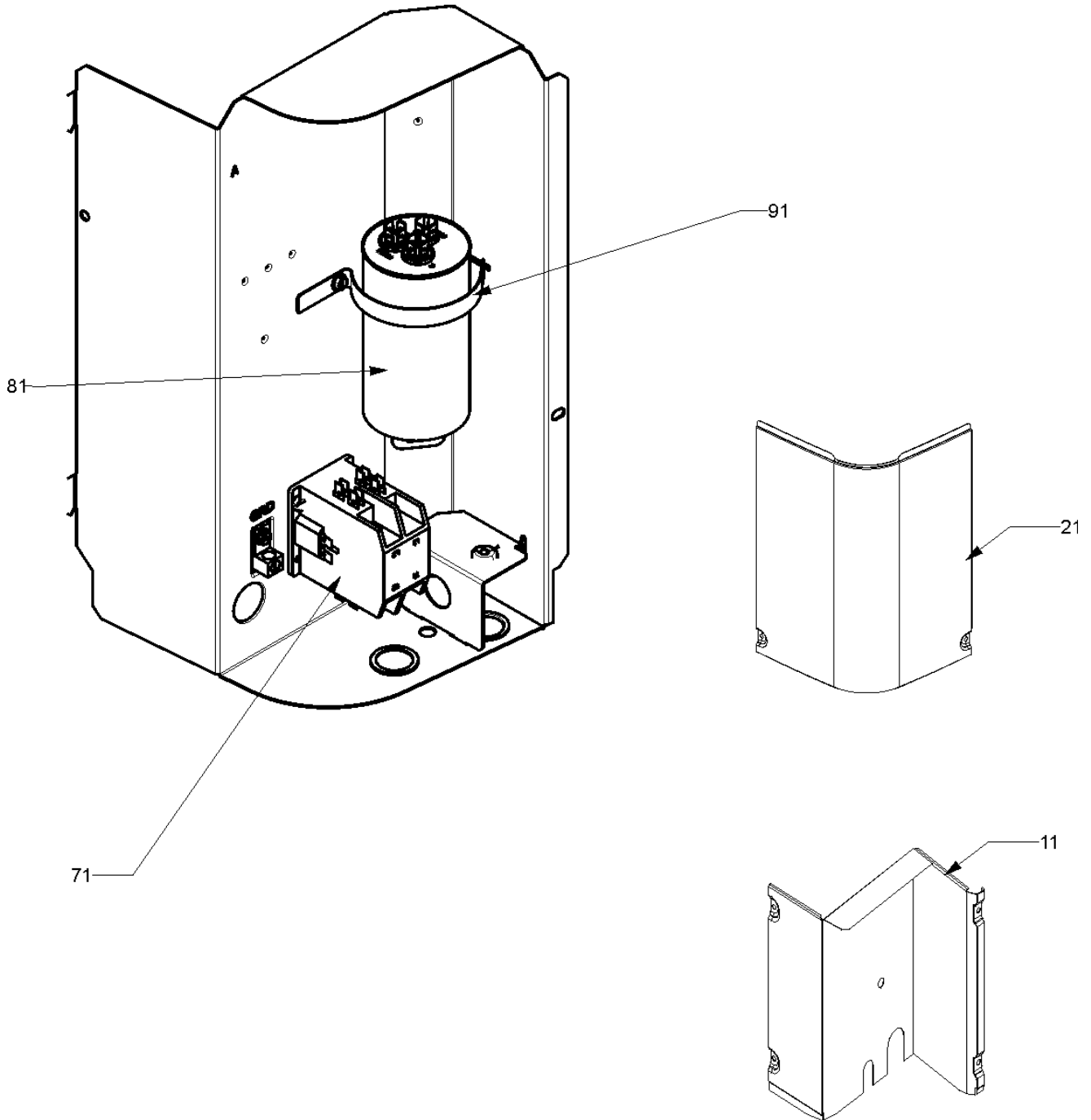
Expanded Model Nomenclature

M1 - GSX160181FA
M2 - GSX160181FB
M3 - GSX160241FA
M4 - GSX160241FB
M5 - GSX160301FA
M6 - GSX160301FB
M7 - GSX160361FA
M8 - GSX160361FB
M9 - GSX160421FA
M10 - GSX160421FB
M11 - GSX160481FA
M12 - GSX160481FB
M13 - GSX160601FA
M14 - GSX160601FB
M15 - GSX160611FA
M16 - GSX160611FB

SPECIAL PARTS

0161R00009P	NAMEPLATE
-------------	-----------

Control Box



Control Box

Ref. Part No:	Ref. Part No:	Description:	Description:
---------------	---------------	--------------	--------------

Image 1:

11	0121R00516PDG	PANEL, LOWER ACCESS (M14)
11	0121R00316PDG	PANEL, LOWER ACCESS PNT (M7, M11, M15, M16)
11	0121R00318PDG	PANEL, LOWER ACCESS PNT (M13)
11	0121R00319PDG	PANEL, LOWER ACCESS PNT (M5, M9)
11	0121R00322PDG	PANEL, LOWER ACCESS PNT (M1, M3)
11	0121R00357PDG	PANEL, LOWER ACCESS PNT (M2, M4)
11	0121R00358PDG	PANEL, LOWER ACCESS PNT (M6, M10)
11	0121R00359PDG	PANEL, LOWER ACCESS PNT (M8, M12)
21	0121R00053PDG	CONTROL COVER
71	CONT1P025024V	CONTACTOR 25 AMP, 1P, 24V (M3, M4)
71	CONT1P025024V	CONTACTOR 25 AMP, 1P, 24V (M1, M2, M7, M8)
71	CONT1P030024V	CONTACTOR 30 AMP, 1P, 24V (M5, M6, M9, M10, M11, M12, M13, M14, M15, M16)
81	CAP050350440CS	CAP, 5/35 MFD/440V/DUAL RD (M3, M4)
81	CAP050400440RTP	CAP, 5/40 MFD/440V/DUAL RD (M5, M6)
81	CAP050450440RTP	CAP, 5/45 MFD/440V/DUAL RD (M7, M8, M9, M10, M11, M12)
81	CAP050700440RTP	CAP, 5/70 MFD/440V/DUAL RD (M13, M14, M15, M16)
81	CAP050300440RS	CAPACITOR 5/30/370V (M1, M2)
91	4400065	CAPACITOR STRAP
NS	0161R00009P	NAMEPLATE

Expanded Model Nomenclature

M1 - GSX160181FA
M2 - GSX160181FB
M3 - GSX160241FA
M4 - GSX160241FB
M5 - GSX160301FA
M6 - GSX160301FB
M7 - GSX160361FA
M8 - GSX160361FB
M9 - GSX160421FA
M10 - GSX160421FB
M11 - GSX160481FA
M12 - GSX160481FB
M13 - GSX160601FA
M14 - GSX160601FB
M15 - GSX160611FA
M16 - GSX160611FB

Cabinet Top / Side Panels

IMAGE 1

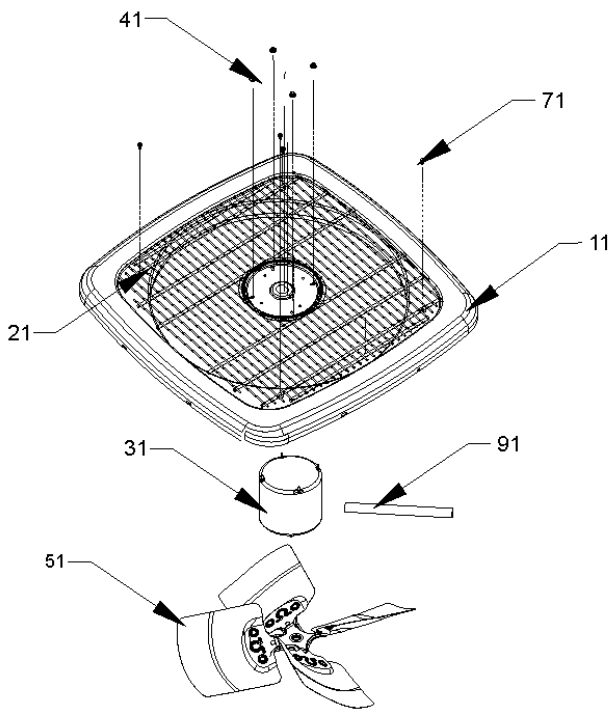


IMAGE 2

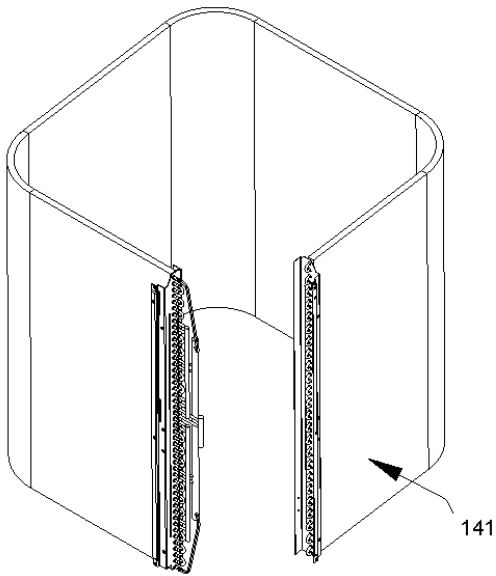
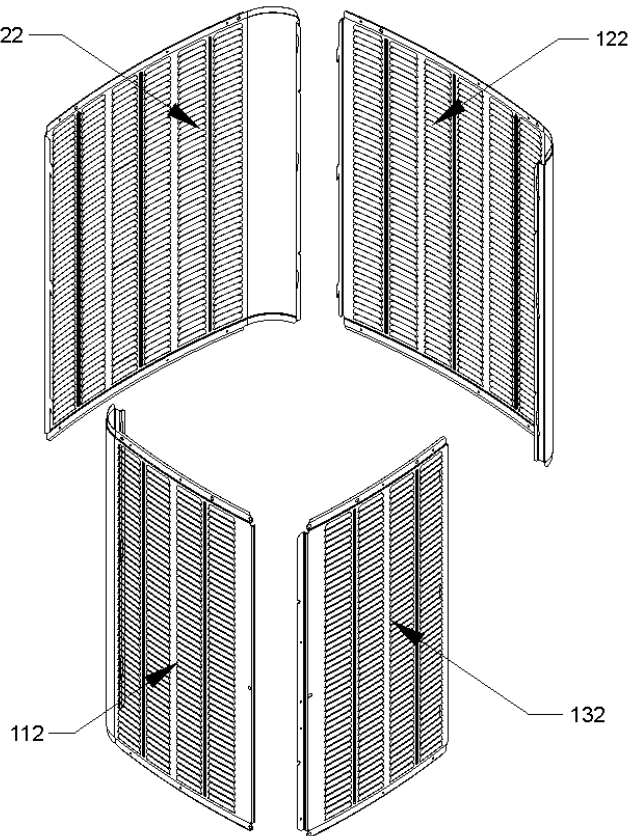
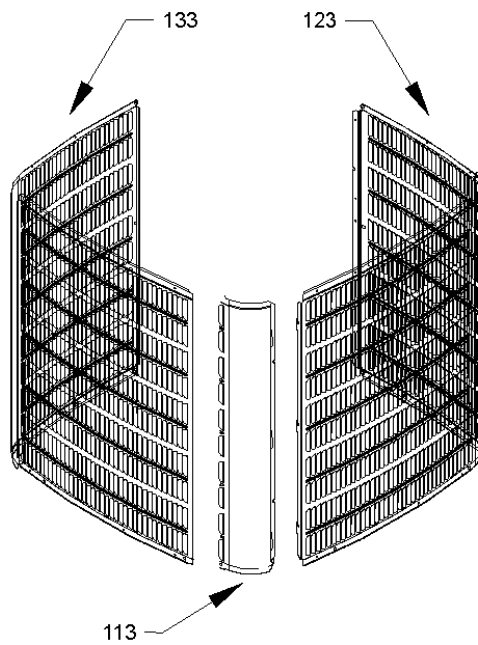


IMAGE 3



Cabinet Top / Side Panels

**Ref. Part
No: No:**

Description:

**Ref. Part
No: No:**

Description:

Image 1:

11	0121R00011PDG	VENTURI TOP PANEL 29" (M1, M2, M3, M4, M5, M6, M7, M8)
11	0121R00013PDG	VENTURI TOP PANEL 35" (M9, M10, M11, M12, M13, M14, M15, M16)
21	0152R00011	GRILLE, WIRE 29" TOP (M1, M2, M3, M4, M5, M6, M7, M8)
21	0152R00014	GRILLE, WIRE 35" TOP (M9, M10, M11, M12, M13, M14, M15, M16)
31	0131M00061	COND MOTOR 1/4 HP, 1 SP, 8 PL (M11, M12, M15, M16)
31	0131M00016P	COND MOTOR 1/6 HP, 1 SP, 8 PL (M1, M2, M3, M4, M5, M6, M7, M8, M9, M10)
31	0131M00401	COND MOTOR, ECM (M13, M14)
41	M0280801	HEX NUT (M1, M2, M3, M4, M5, M6, M7, M8, M9, M10, M11, M12, M15, M16)
41	B1393024	LOCK NUT (M13, M14)
51	0150M00008	FAN BLADE 22" TNT2203-25 (M1, M2, M3, M4, M5, M6, M7, M8)
51	0150M00010	FAN BLADE 26" ALUM CCW (M13, M14)
51	10625738	FAN BLADE 26" ALUM CCW (M9, M10, M11, M12, M15, M16)
71	0163M00003P	SCREW #10 X 1/2, A, SLOT, SR, BLACK (QTY A/R)
91	0161R00002P	CONDUIT (M1, M2, M3, M4, M5, M6, M7, M8)
91	0161R00004P	CONDUIT (M9, M10, M11, M12, M15, M16)
141	0201R00236	COIL TUBING ASSY (M7, M8)
141	0201R00296	COIL TUBING ASSY (M1, M2, M3, M4)
141	0201R00311	COIL TUBING ASSY (M9, M10)
141	0201R00315	COIL TUBING ASSY (M5, M6)
141	0201R00433	COIL TUBING ASSY (M11, M12, M15, M16)
141	0201R00434	COIL TUBING ASSY (M13, M14)

Image 2:

112	0121R00043PDGB	LOUVERED SIDE PANEL [LT OF CNTL PNL] (M13, M14)
112	0121R00228PDGB	LOUVERED SIDE PANEL [LT OF CNTL PNL] (M9, M10)
112	0121R00229PDGB	LOUVERED SIDE PANEL [LT OF CNTL PNL] (M11, M12, M15, M16)
122	0121R00047PDGB	LOUVERED PANEL (M13, M14)
122	0121R00232PDGB	LOUVERED PANEL (M11, M12, M15, M16)
122	0121R00231PDGB	LOUVERED SIDE PANEL (M9, M10)
132	0121R00051PDG	LOUVERED SIDE PANEL [RT OF CNTL PNL] (M13, M14)
132	0121R00234PDG	LOUVERED SIDE PANEL [RT OF CNTL PNL] (M9, M10)
132	0121R00235PDG	LOUVERED SIDE PANEL [RT OF CNTL PNL] (M11, M12, M15, M16)

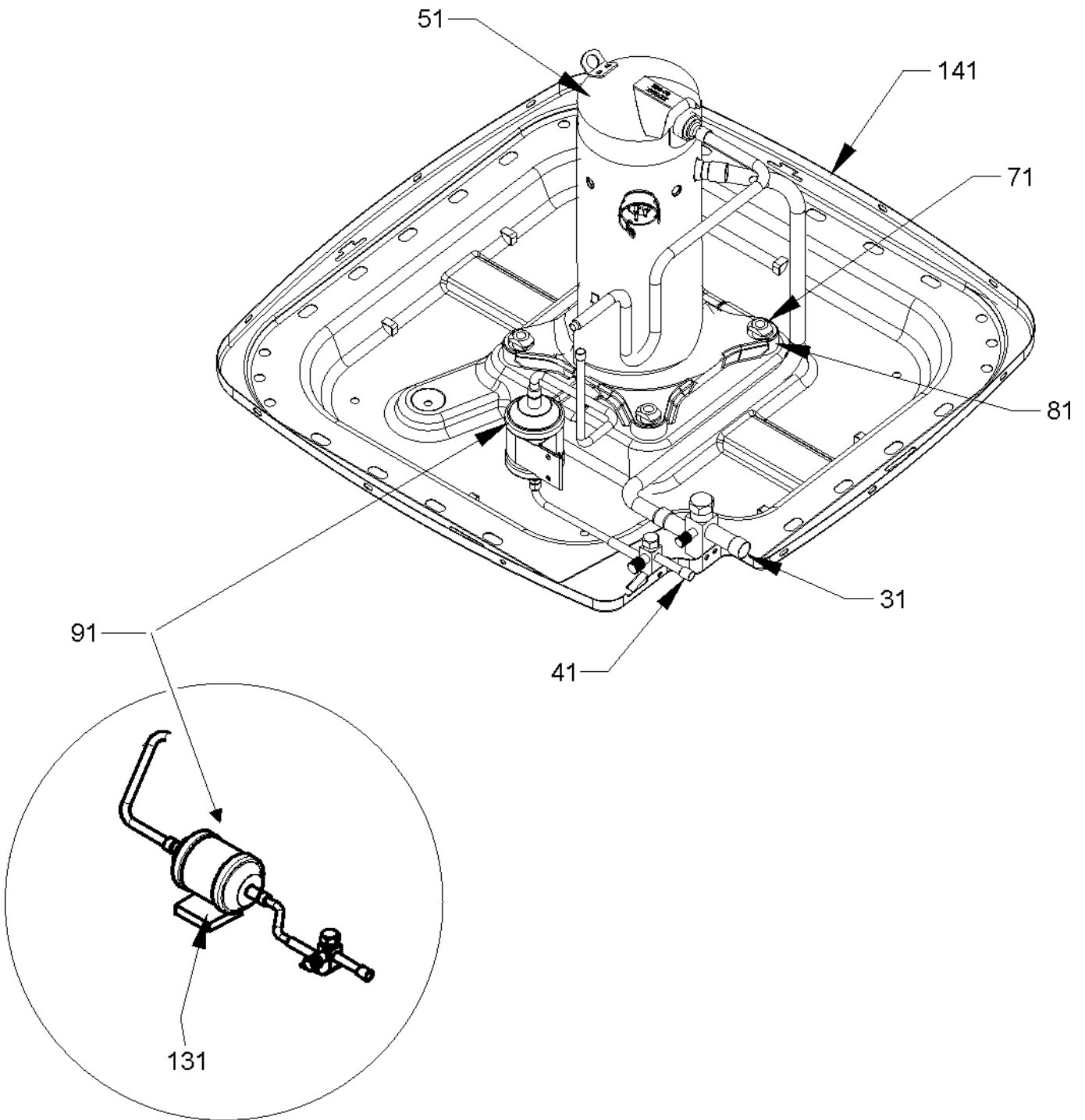
Image 3:

113	0121R00350PDG	Louver Post, PDG 28.73 (M1, M2, M3, M4)
113	0121R00352PDG	Louver Post, PDG 32.51 (M5, M6)
113	0121R00354PDG	Louver Post, PDG 36.30 (M7, M8)
123	0121R00342PDGRS	LOUVERED PANEL (M1, M2, M3, M4)
123	0121R00344PDGRS	LOUVERED PANEL (M5, M6)
123	0121R00346PDGRS	LOUVERED PANEL (M7, M8)
133	0121R00342PDGLS	LOUVERED PANEL (M1, M2, M3, M4)
133	0121R00344PDGLS	LOUVERED PANEL (M5, M6)
133	0121R00346PDGLS	LOUVERED PANEL (M7, M8)

Expanded Model Nomenclature

M1 - GSX160181FA
M2 - GSX160181FB
M3 - GSX160241FA
M4 - GSX160241FB
M5 - GSX160301FA
M6 - GSX160301FB
M7 - GSX160361FA
M8 - GSX160361FB
M9 - GSX160421FA
M10 - GSX160421FB
M11 - GSX160481FA
M12 - GSX160481FB
M13 - GSX160601FA
M14 - GSX160601FB
M15 - GSX160611FA
M16 - GSX160611FB

Compressor / Tubing Assembly



Compressor / Tubing Assembly

Ref. Part No: No:	Description:	Ref. Part No: No:	Description:
-------------------	--------------	-------------------	--------------

Image 1:

31	0151R00045	BALL VALVE, 3/4 (M2, M4)
31	0151R00046	BALL VALVE, 7/8 (M6, M8, M10, M12, M14, M16)
31	0151R00032	VALVE, BASE 3/4" OPEN LEFT (M1, M3)
31	0151R00033	VALVE, BASE 7/8" OPEN LEFT (M5, M7, M9, M11, M13, M15)
41	B12825171	3/8" SERVICE VALVE
51	ZP14K5EPFV130	COMP, 14650,208/230/60/1 (M1, M2)
51	ZP20K5EPFV130	COMP,20000,208/230/60/1 (M3, M4)
51	ZP34K5EPFV130	COMP,34500,208/230/60/1 (M9, M10)
51	ZP36K5EPFV130	COMP,36200,208/230/60/1 (M11, M12)
51	ZP44K5EPFV130	COMP,44400,280/230/60/1 (M13, M14)
51	ZP49K5EPFV130	COMP,49400,208/230/60/1 (M15, M16)
51	ZP24K5EPFV130	COMPRESSOR 24000, 208/230/60/1 (M5, M6)
51	ZP29K5EPFV130	COMPRESSOR 29000, 208/230/60/1 (M7, M8)
71	M0221641	TF SHOULDER SCREW (QTY 4)
81	B1339533	COMPRESSOR GROMMET (QTY 4)
91	0162R00009	FILTER DRIER
131	0141R00061	FOAM BLOCK, FILTER DRYER (M13, M14)
141	0121R00006PDG	BASE PAN 29" (M1, M2, M3, M4, M5, M6, M7, M8)
141	0121R00007PDG	BASE PAN 35" (M9, M10, M11, M12, M13, M14, M15, M16)
NS	0121R00301	BRACKET, MOTOR MOUNT (M13, M14)
NS	0159R00002P	COMPRESSOR SCROLL HARNESS
NS	B1789872	FLOW CHECK PISTON KIT (M7, M8)
NS	B1789886	FLOW CHECK PISTON KIT (M13, M14)
NS	B1789849	FLOW CHECK PISTON KIT .049 (M1, M2)
NS	B1789857	FLOW CHECK PISTON KIT .057 (M3, M4)
NS	B1789865	FLOW CHECK PISTON KIT .065 (M5, M6)
NS	B1789874	FLOW CHECK PISTON KIT .074 (M9, M10)
NS	B1789878	FLOW CHECK PISTON KIT .078 (M11, M12)
NS	B1789888	FLOW CHECK PISTON KIT .088 (M15, M16)
NS	0163R00003S	HEATER, CRANKCASE 230V 40W (M13, M14)

Expanded Model Nomenclature

- | |
|-------------------|
| M1 - GSX160181FA |
| M2 - GSX160181FB |
| M3 - GSX160241FA |
| M4 - GSX160241FB |
| M5 - GSX160301FA |
| M6 - GSX160301FB |
| M7 - GSX160361FA |
| M8 - GSX160361FB |
| M9 - GSX160421FA |
| M10 - GSX160421FB |
| M11 - GSX160481FA |
| M12 - GSX160481FB |
| M13 - GSX160601FA |
| M14 - GSX160601FB |
| M15 - GSX160611FA |
| M16 - GSX160611FB |