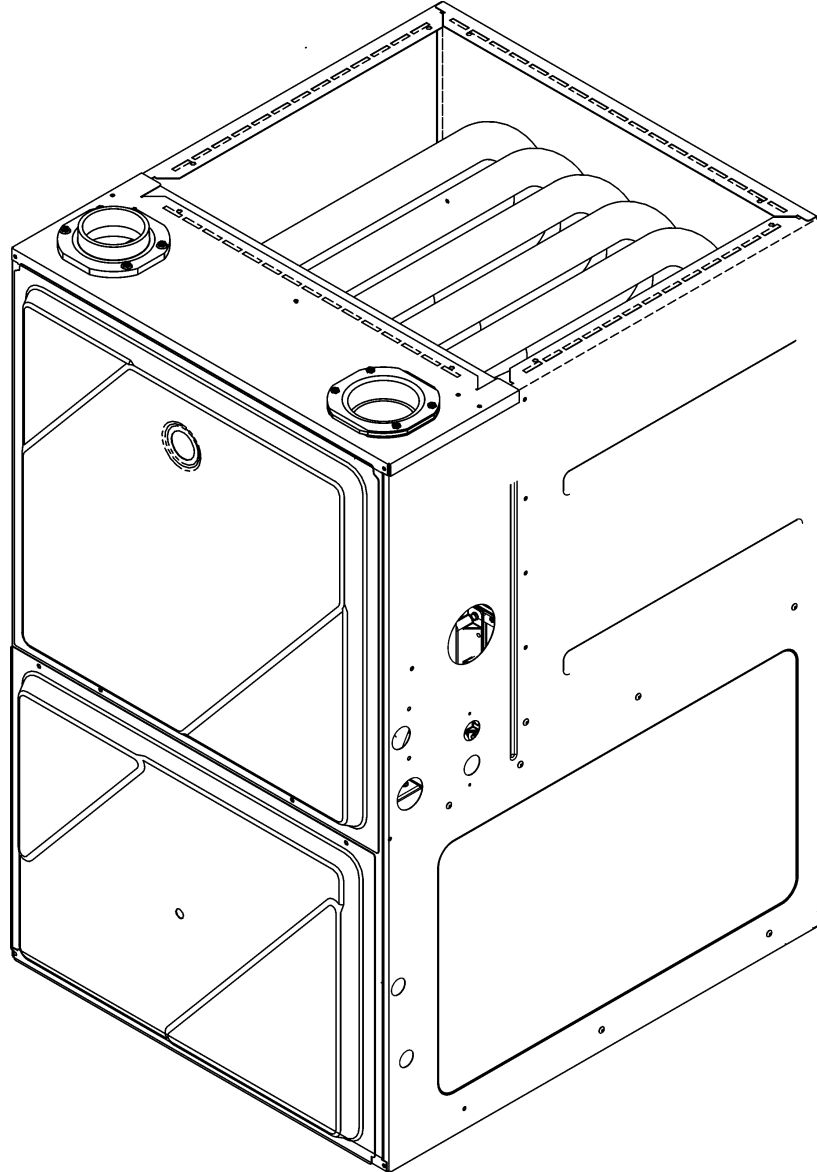


GMEC 96% EEM UpFlow Furnace

GMEC960302BNAA
GMEC960402BNAA
GMEC960603BNAA
GMEC960803BNAA
GMEC961004CNAA
GMEC961205DNAA



This manual is to be used by qualified technicians only.

This manual replaces RP-G2007A.

© 2014 Goodman Company, L.P. ♦ 5151 San Felipe St., Suite 500 ♦ Houston, TX 77056

Important Information

Index

Functional Parts List	3
Illustration and Parts	4 - 11

Views shown are for parts illustrations only, not servicing procedures

Rev B: updates the limit switch from 130 degrees to 140 degrees.

Text Codes:

AR - As Required

NA - Not Available

NS - Not Shown

00000000 - See Note

QTY - Quantity Example (QTY 3) (If Quantity not shown, Quantity = 1)

M - Model Example (M1) (If M Code not shown, then part is used on all Models)

Expanded Model Nomenclature:

Example M1 - Model#1 M2 - Model#2 M3 - Model#3

Goodman Company, L.P. is not responsible for personal injury or property damage resulting from improper service. Review all service information before beginning repairs.

Warranty service must be performed by an authorized technician, using authorized factory parts. If service is required after the warranty expires, Goodman Company, L.P. also recommends contacting an authorized technician and using authorized factory parts.

Goodman Company, L.P. reserves the right to discontinue, or change at any time, specifications or designs without notice or without incurring obligations.

For assistance within the U.S.A. contact:

Consumer Affairs Department

Goodman Company, L.P.

7401 Security Way

Houston, Texas 77040

877-254-4729-Telephone

713-863-2382-Facsimile

For assistance outside the U.S.A. contact:

International Division

Goodman Company, L.P.

7401 Security Way

Houston, Texas 77040

713-861-2500-Telephone

713-863-2382-Facsimile

Functional Parts

Part No: **Description:**

Part No:	Description:	Expanded Model Nomenclature
0163F00017	BECKETT BURNER (QTY A/R)	
764740	BLOWER BLOCK-OFF 10 X 8 (M1, M2)	M1 - GMEC960302BNAA
0271F00181	BLOWER HSG ASSY (M1, M2)	M2 - GMEC960402BNAA
0271F00159	BLOWER SHELL & WHEEL ASSY (M3, M4)	M3 - GMEC960603BNAA
0271F00161	BLOWER SHELL & WHEEL ASSY (M5)	M4 - GMEC960803BNAA
0271F00163	BLOWER SHELL & WHEEL ASSY (M6)	M5 - GMEC961004CNAA
0130F00010	FLAME SENSOR	M6 - GMEC961205DNAA
0151M00027	GAS VALVE	
0257F00387	HEAT EXCHANGER ASSY (M1)	
0257F00384	HEAT EXCHANGER ASSY (M2)	
0257F00379	HEAT EXCHANGER ASSY (M4)	
0257F00393	HEAT EXCHANGER ASSY. (M5)	
0257F00390	HEAT EXCHANGER ASSY. (M6)	
0257F00374	HEAT EXCHANGER ASSY. (M3)	
10690402	INTERLOCK SWITCH	
0130F00123	MANUAL RESET LIMIT - ROS (M4)	
10123534	MANUAL RESET LIMIT - ROS (M5)	
10123539	MANUAL RESET LIMIT - ROS (M2, M3)	
10123527	MANUAL RESET LIMIT - ROS (M6)	
10123533	MANUAL RESET LIMIT - ROS (M1)	
0131F00034	MOTOR, BLOWER (M3)	
0131F00036	MOTOR, BLOWER (M5)	
0131F00035	MOTOR, BLOWER (M4)	
0131F00033	MOTOR, BLOWER (M2)	
0131F00032	MOTOR, BLOWER (M1)	
0131F00037	MOTOR, BLOWER (M6)	
PCBBF133	PCB, IGNITION, HSI, INTEG.	
0130F00486	PRESSURE SWITCH (-.1 (COL BOX)) (M1, M2)	
0130F00481	PRESSURE SWITCH (-.1 (COL BOX)) (M3, M4, M5, M6)	
0130F00470	PRESSURE SWITCH (-.30 / -.75) (M1)	
0130F00472	PRESSURE SWITCH (-.67 / -1.15) (M5)	
0130F00471	PRESSURE SWITCH (-.72 / -.97) (M2)	
0130F00474	PRESSURE SWITCH (-.72 / -1.47) (M4)	
0130F00446	PRESSURE SWITCH (-.76 / -1.25) (M6)	
0130F00473	PRESSURE SWITCH (-.92 / -1.47) (M3)	
0130F00038	PRIMARY LIMIT - LT BLUE 120° (AUX) (QTY 2)	
0130F00036	PRIMARY LIMIT - PINK (M6)	
20162906	PRIMARY LIMIT - WHITE (M5)	
0130M00063	PRIMARY LIMIT SWITCH (M3, M4)	
20162904	PRIMARY LIMIT-TEMPERATURE CONTROL (M1, M2)	
0130F00008	SINI IGNITOR	
0130M00140	TRANSFORMER 120V TO 24V, 40VA	
0150M00043	WHEEL, BLOWER (10 X 8) (M1, M2)	

SPECIAL PARTS

0161F00000P GOODMAN NAMEPLATE

Cabinet

Image 1

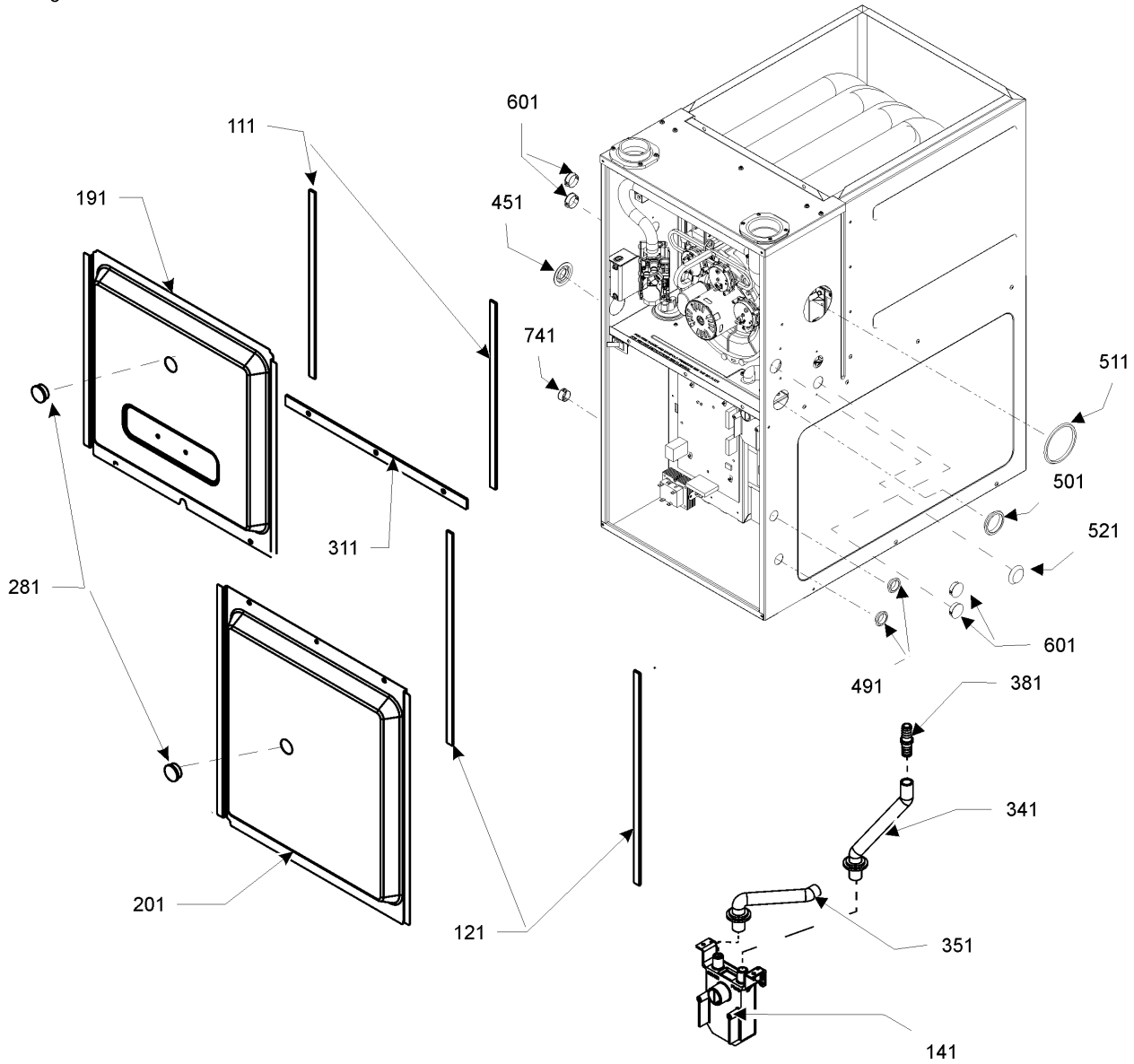
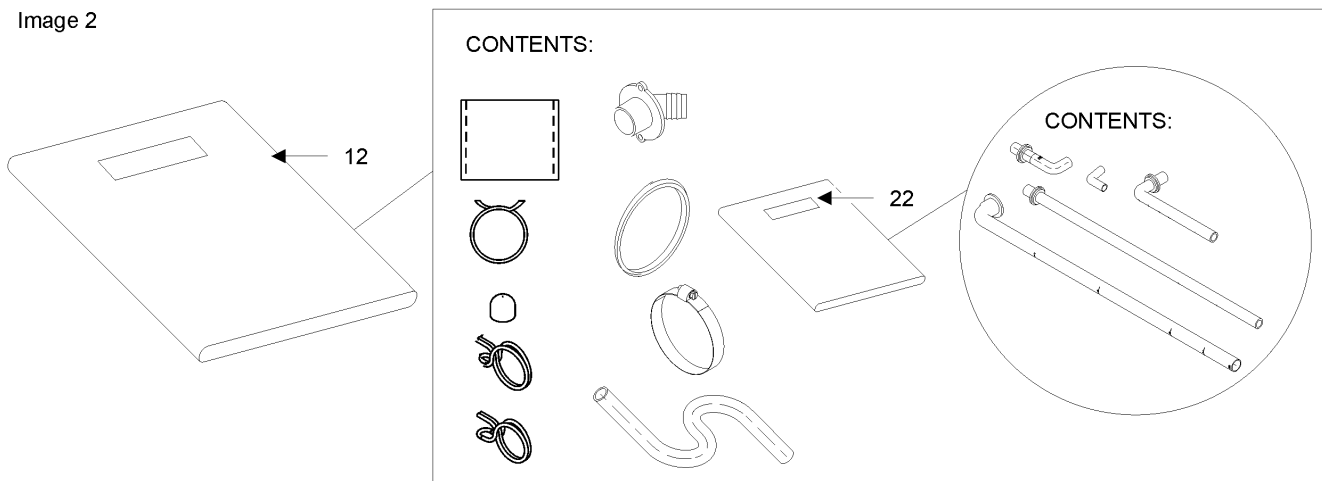


Image 2



Cabinet

Ref. Part No: No:	Description:	Ref. Part No: No:	Description:
-------------------	--------------	-------------------	--------------

Image 1:

111	0154F00024	GASKET (QTY 2)
121	0154F00025	GASKET (QTY 2)
141	0161F00046	DRAIN TRAP
191	0121F00292DG	DOOR ACCESS 21" PNT (M5)
191	0121F00291DG	DOOR, ACCESS 17.5" PNT (M1, M2, M3, M4)
191	0121F00293DG	DOOR, ACCESS 24.5" PNT (M6)
201	0121F00288DG	DOOR, BLOWER 17.5" PNT (M1, M2, M3, M4)
201	0121F00289DG	DOOR, BLOWER 21" PNT (M5)
201	0121F00290DG	DOOR, BLOWER 24.5" PNT (M6)
281	B1392139	VIEW PORT BUSHING-BLOWER DOOR (QTY 2)
311	0154F00020	DECK GASKET (M1, M2, M3, M4)
311	0154F00021	DECK GASKET (M5)
311	0154F00022	DECK GASKET (M6)
341	0164F00017	ELBOW/TRAP HOSE
351	0164F00006	COVER/TRAP HOSE
381	0161F00047	BARDED HOSE COUPLING
451	M0501301	PIPE GROMMET
491	M0570808	BUTTON PLUG (QTY 3)
501	M0570806	BUTTON PLUG
511	M0570807	BUTTON PLUG
521	0161M00027	HOLE PLUG
601	B1392021	PLASTIC PLUG, 1" (2713-BLK) (QTY 4)
741	B1392104	UNIVERSAL BUSHING UB 875
NS	M0310345	BUTTON PLUG (QTY 2)
NS	M0209730	DECORATIVE SCREW (QTY 3)
NS	0161F00000P	GOODMAN NAMEPLATE
NS	0163M00049	HOSE CLAMP (QTY 3)

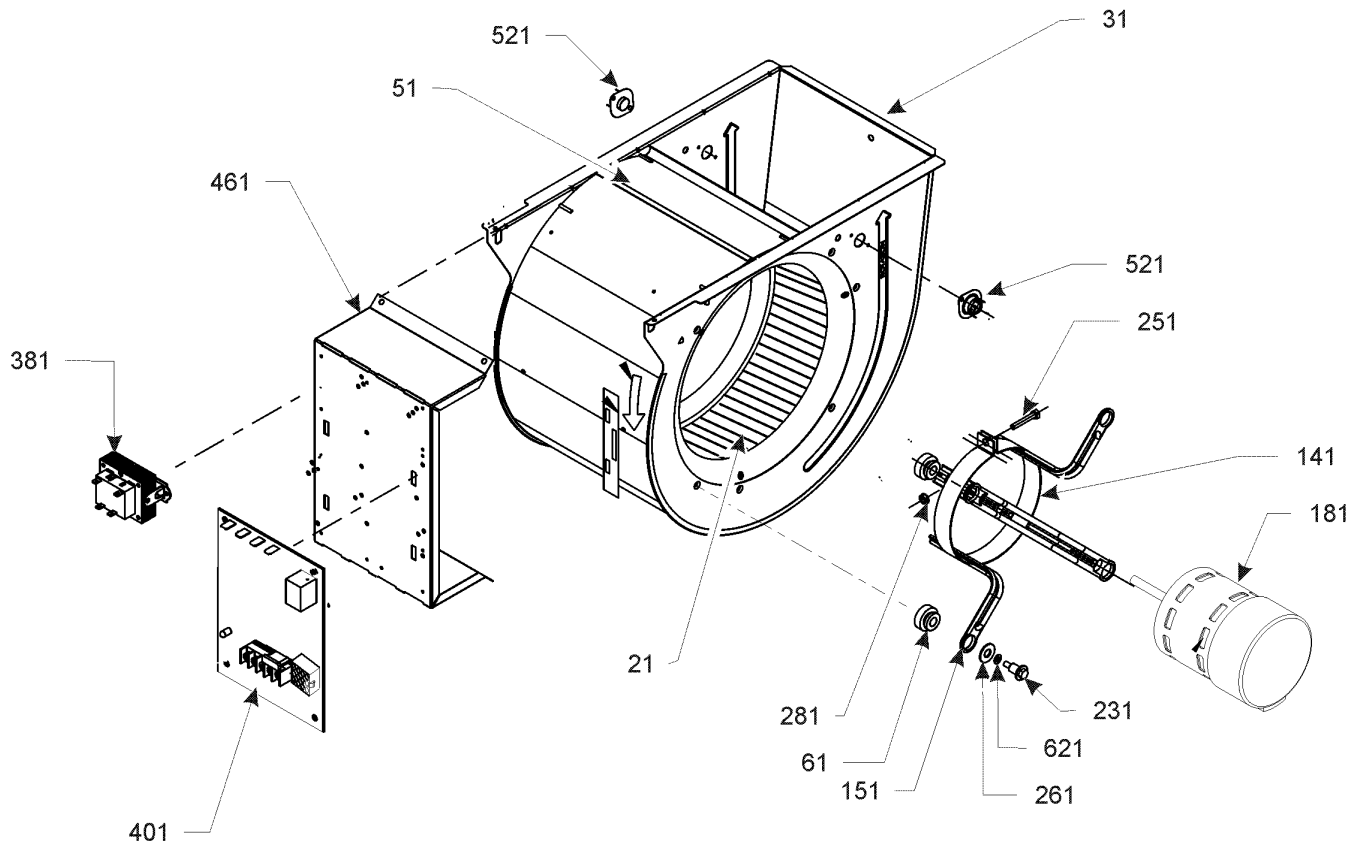
Image 2:

12	0270F03140	DRAIN PART BAG ASSY UF
22	0270F03138	BAG ASSY UF

Expanded Model Nomenclature

- | |
|---------------------|
| M1 - GMEC960302BNAA |
| M2 - GMEC960402BNAA |
| M3 - GMEC960603BNAA |
| M4 - GMEC960803BNAA |
| M5 - GMEC961004CNAA |
| M6 - GMEC961205DNAA |

Blower Assembly



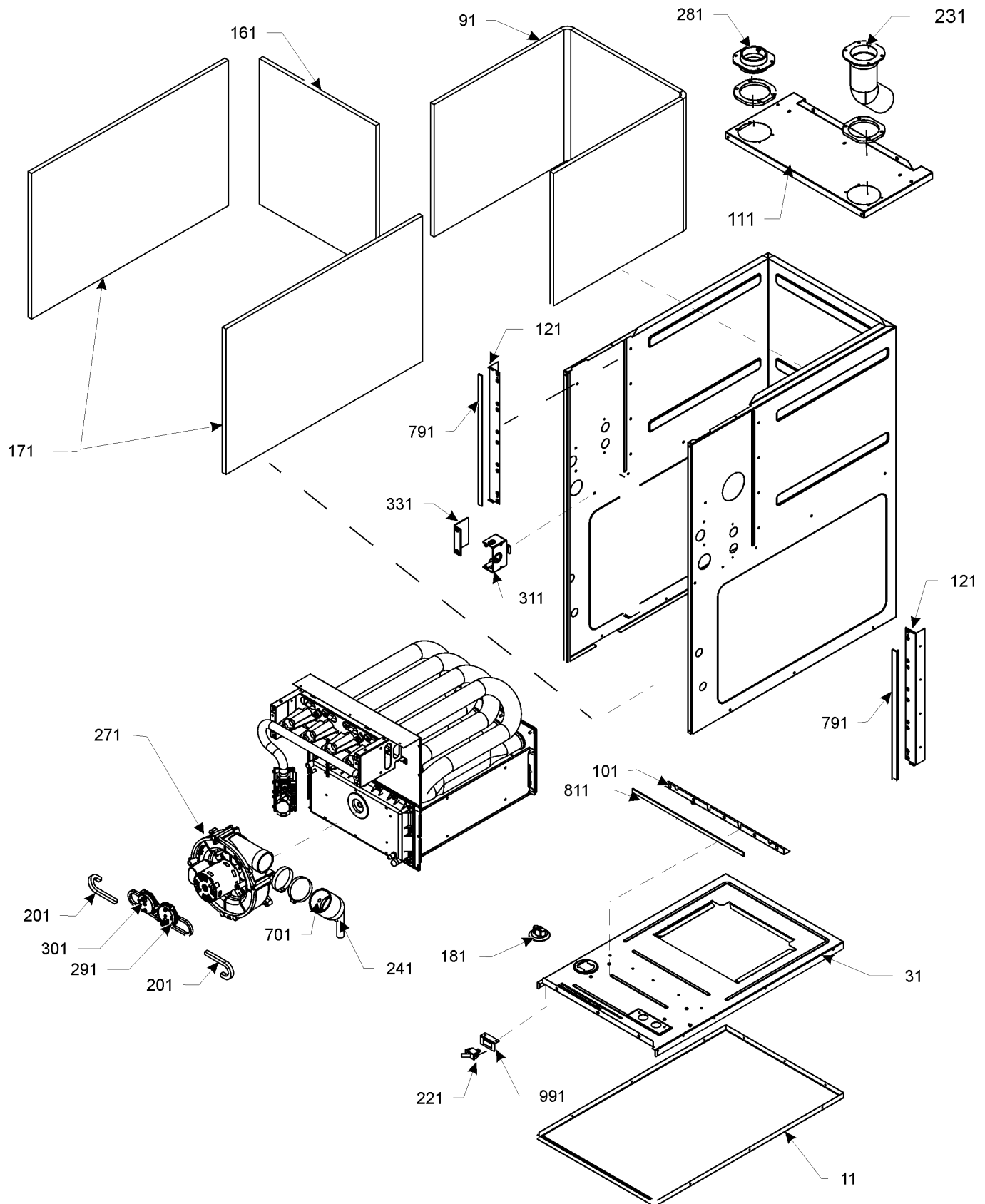
Blower Assembly

Ref. Part No: No:	Description:	Ref. Part No: No:	Description:
<i>Image 1:</i>			
21	0150M00043		WHEEL, BLOWER (10 X 8) (M1, M2)
31	0271F00181		BLOWER HSG ASSY (M1, M2)
31	0271F00159		BLOWER SHELL & WHEEL ASSY (M3, M4)
31	0271F00161		BLOWER SHELL & WHEEL ASSY (M5)
31	0271F00163		BLOWER SHELL & WHEEL ASSY (M6)
51	764740		BLOWER BLOCK-OFF 10 X 8 (M1, M2)
61	A4002702		BLOWER MOTOR GROMMET (M5, M6)
141	0121M00038		MOTOR MOUNT BAND (M1, M2, M3, M4)
141	10441601		MOTOR MOUNT BAND (M5, M6)
151	10441501		MOTOR MOUNT ARM (M5, M6)
151	B1376857		MOTOR MOUNT ARM (M1, M2, M3, M4)
181	0131F00032		MOTOR, BLOWER (M1)
181	0131F00033		MOTOR, BLOWER (M2)
181	0131F00034		MOTOR, BLOWER (M3)
181	0131F00035		MOTOR, BLOWER (M4)
181	0131F00036		MOTOR, BLOWER (M5)
181	0131F00037		MOTOR, BLOWER (M6)
231	M0221461		TC SCREW (M5, M6)
231	M0250565		TC SCREW 1.25" (M1, M2, M3, M4)
251	M0267144		MACHINE SCREW (M5, M6)
251	B1393323		MACHINE SCREW HWH 1/4-20 X 1-1/2 BZ (M1, M2, M3, M4)
261	M0274008		FLAT WASHER (M5, M6)
261	B1392918		FLAT WASHER 1/4 ID X 1 OD (M1, M2, M3, M4)
281	M0282015		KEPS NUT (M5, M6)
381	0130M00140		TRANSFORMER 120V TO 24V, 40VA
401	PCBBF133		PCB, IGNITION, HSI, INTEG.
461	0121F00464		CONTROL MOUNTING PLATE
521	0130F00038		PRIMARY LIMIT - LT BLUE 120° (AUX) (QTY 2)
621	B1392820		SLIT LOCK WASHER (M5, M6)
NS	B1392021		1" PLASTIC PLUG (QTY 4)
NS	0259F00024		HARNESS - BLOWER

Expanded Model Nomenclature

M1 - GMEC960302BNAA
M2 - GMEC960402BNAA
M3 - GMEC960603BNAA
M4 - GMEC960803BNAA
M5 - GMEC961004CNAA
M6 - GMEC961205DNAA

Chassis



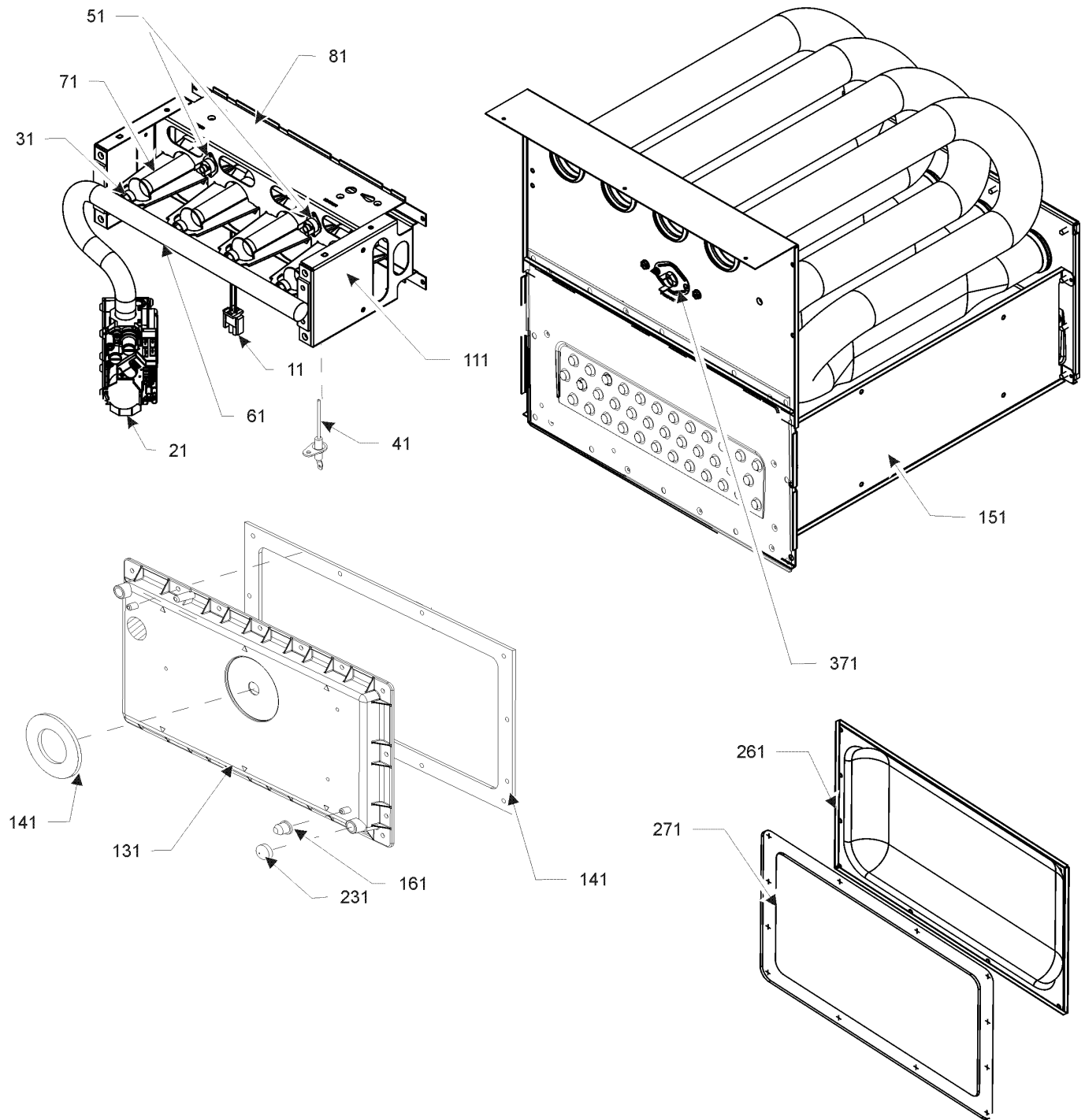
Chassis

Ref. Part No: No:	Description:	Ref. Part No: No:	Description:
Image 1:			
11	0121F00386DG		BASEPAN, UPFLOW PNT (M1, M2, M3, M4)
11	0121F00387DG		BASEPAN, UPFLOW PNT (M5)
11	0121F00388DG		BASEPAN, UPFLOW PNT (M6)
31	0121F00285		DECK, BLOWER 17.5 (M1, M2, M3, M4)
31	0121F00286		DECK, BLOWER 21 (M5)
31	0121F00287		DECK, BLOWER 24.5 (M6)
91	0160F00015		INSULATION, HT EXCHANGER 17.5" (M1, M2, M3, M4)
91	0160F00016		INSULATION, HT EXCHANGER 21" (M5)
91	0160F00017		INSULATION, HT EXCHANGER 24.5" (M6)
101	0121F00314		ANGLE, DECK (M1, M2, M3, M4)
101	0121F00315		ANGLE, DECK (M5)
101	0121F00316		ANGLE, DECK (M6)
111	0121F00279DG		PAINTED TOP, FURNACE 17.5 (M1, M2, M3, M4)
111	0121F00280DG		PAINTED TOP, FURNACE 21 (M5)
111	0121F00281DG		PAINTED TOP, FURNACE 24.5 (M6)
121	0121F00313		SIDE ANGLE (QTY 2)
161	0160F00012		INSULATION-BACK 17.5" (M1, M2, M3, M4)
161	0160F00013		INSULATION-BACK 21" (M5)
161	0160F00014		INSULATION-BACK 24.5" (M6)
171	0160F00018		INSULATION, SIDE (QTY 2)
181	0159F00034		HARNESS, WIRING
181	0159F00035		HARNESS, WIRING
181	0159F00037		HARNESS, WIRING
201	0164M00019		PRESSURE SW HOSE 6" (QTY 2)
221	10690402		INTERLOCK SWITCH
231	0164F00002		FLUE PIPE W/BEND
241	0164F00001		ELBOW-FLUE, UPFLOW
271	0171M00002		MOTOR-ID, BLOWER
281	0161F00037		COUPLING
291	0130F00481		PRESSURE SWITCH (-.1 (COL BOX)) (M3, M4, M5, M6)
291	0130F00486		PRESSURE SWITCH (-.1 (COL BOX)) (M1, M2)
301	0130F00470		PRESSURE SWITCH (-.30 / -.75) (M1)
301	0130F00472		PRESSURE SWITCH (-.67 / -1.15) (M5)
301	0130F00471		PRESSURE SWITCH (-.72 / -.97) (M2)
301	0130F00474		PRESSURE SWITCH (-.72 / -1.47) (M4)
301	0130F00446		PRESSURE SWITCH (-.76 / -1.25) (M6)
301	0130F00473		PRESSURE SWITCH (-.92 / -1.47) (M3)
311	0161F00042		JUNCTION BOX
331	0161F00043		JUNCTION BOX LID
701	M0326804		TUBE PLUG
791	0154F00015		GASKET (QTY 2)
811	0154F00014		GASKET (M1, M2, M3, M4)
811	0154F00016		GASKET (M5)
811	20194607		GASKET (M6)
991	0121F00389		BRACKET, DOOR SWITCH

Expanded Model Nomenclature

M1 - GMEC960302BNAA
M2 - GMEC960402BNAA
M3 - GMEC960603BNAA
M4 - GMEC960803BNAA
M5 - GMEC961004CNAA
M6 - GMEC961205DNAA

Heat Exchanger / Manifold / Gas Valve



Heat Exchanger / Manifold / Gas Valve

Ref. Part No:	Description:	Ref. Part No:	Description:
<i>Image 1:</i>		Expanded Model Nomenclature	
11	0130F00008 SINI IGNITOR	M1	GMEC960302BNAA
21	0151M00027 GAS VALVE	M2	GMEC960402BNAA
31	0163F00004 ORIFICE (M2, M3, M4, M5, M6)	M3	GMEC960603BNAA
31	0163F00019 ORIFICE (M1)	M4	GMEC960803BNAA
41	0130F00010 FLAME SENSOR	M5	GMEC961004CNA
51	0130F00123 MANUAL RESET LIMIT - ROS (M4)	M6	GMEC961205DNA
51	10123527 MANUAL RESET LIMIT - ROS (M6)		
51	10123533 MANUAL RESET LIMIT - ROS (M1)		
51	10123534 MANUAL RESET LIMIT - ROS (M5)		
51	10123539 MANUAL RESET LIMIT - ROS (M2, M3)		
61	0163F00007 MANIFOLD (M1, M2)		
61	0163F00008 MANIFOLD (M3)		
61	0163F00010 MANIFOLD (M5)		
61	0163F00011 MANIFOLD (M6)		
61	0163F00014 MANIFOLD (M4)		
71	0163F00017 BECKETT BURNER (QTY A/R)		
81	0121F00456 BRACKET-BURNER 2 (M1, M2)		
81	0121F00455 BRACKET-BURNER 3 (M3)		
81	0121F00454 BRACKET-BURNER 4 (M4)		
81	0121F00453 BRACKET-BURNER 5 (M5)		
81	0121F00451 BRACKET-BURNER 6 (M6)		
111	0121F00469 ORIFICE BRACKET-BURNER 2 (M1, M2)		
111	0121F00468 ORIFICE BRACKET-BURNER 3 (M3)		
111	0121F00467 ORIFICE BRACKET-BURNER 4 (M4)		
111	0121F00466 ORIFICE BRACKET-BURNER 5 (M5)		
111	0121F00465 ORIFICE BRACKET-BURNER 6 (M6)		
131	0161F00015 FRONT COVER (M2)		
131	0161F00024 FRONT COVER (M4)		
131	0161F00032 FRONT COVER (M1)		
131	0161F00054 FRONT COVER (M3)		
131	0161F00063 FRONT COVER (M6)		
131	0161F00065 FRONT COVER (M5)		
141	0154F00011 FRONT GASKET (M1, M2, M3, M4)		
141	0154F00012 FRONT GASKET (M5)		
141	0154F00013 FRONT GASKET (M6)		
151	0257F00379 HEAT EXCHANGER ASSY (M4)		
151	0257F00384 HEAT EXCHANGER ASSY (M2)		
151	0257F00387 HEAT EXCHANGER ASSY (M1)		
151	0257F00374 HEAT EXCHANGER ASSY. (M3)		
151	0257F00390 HEAT EXCHANGER ASSY. (M6)		
151	0257F00393 HEAT EXCHANGER ASSY. (M5)		
161	M0326804 TUBE PLUG		
231	A1781105 CAP-VINYL .500		
261	0121F00317 REAR COVER (M1, M2, M3, M4)		
261	0121F00318 REAR COVER (M5)		
261	0121F00319 REAR COVER (M6)		
271	0154F00008 REAR COVER GASKET (M1, M2, M3, M4)		
271	0154F00009 REAR COVER GASKET (M5)		
271	0154F00010 REAR COVER GASKET (M6)		
371	0130F00036 PRIMARY LIMIT - PINK (M6)		
371	20162906 PRIMARY LIMIT - WHITE (M5)		
371	0130M00063 PRIMARY LIMIT SWITCH (M3, M4)		
371	20162904 PRIMARY LIMIT-TEMPERATURE CONTROL (M1, M2)		
NS	0121F00439 PRIMARY LIMIT-HEAT SHIELD		
NS	0121F00355 SHIELD, COIL (QTY 2)		