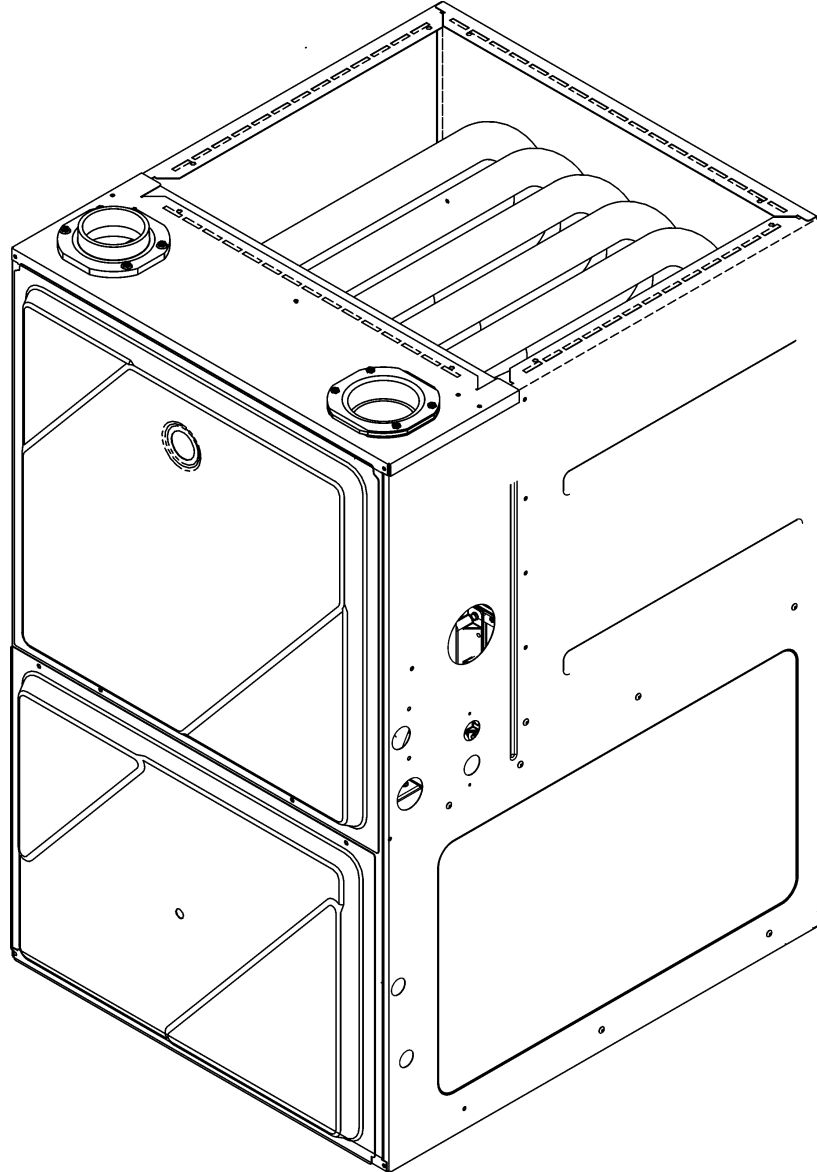


## GMEC 96% ECM UpFlow Furnace

GMEC960302BNAA  
GMEC960302BNAB  
GMEC960402BNAA  
GMEC960603BNAA  
GMEC960803BNAA  
GMEC961004CNAA  
GMEC961205DNAA



This manual is to be used by qualified technicians only.

This manual replaces RP-G2007B.

© 2014-2015 Goodman Manufacturing Company, L.P. ♦ 5151 San Felipe St., Suite 500 ♦ Houston, TX 77056

# Important Information

---

## Index

Functional Parts List .....	3
Illustration and Parts .....	4 - 11

*Views shown are for parts illustrations only, not servicing procedures*

### Text Codes:

AR - As Required

NA - Not Available

NS - Not Shown

00000000 - See Note

QTY - Quantity Example (QTY 3) (If Quantity not shown, Quantity = 1)

M - Model Example (M1) (If M Code not shown, then part is used on all Models)

### Expanded Model Nomenclature:

Example M1 - Model#1 M2 - Model#2 M3 - Model#3
---

Goodman Manufacturing Company, L.P. is not responsible for personal injury or property damage resulting from improper service. Review all service information before beginning repairs.

Warranty service must be performed by an authorized technician, using authorized factory parts. If service is required after the warranty expires, Goodman Manufacturing Company, L.P. also recommends contacting an authorized technician and using authorized factory parts.

Goodman Manufacturing Company, L.P. reserves the right to discontinue, or change at any time, specifications or designs without notice or without incurring obligations.

For assistance within the U.S.A. contact:  
Consumer Affairs Department  
Goodman Manufacturing Company, L.P.  
7401 Security Way  
Houston, Texas 77040  
877-254-4729-Telephone  
713-863-2382-Facsimile

For assistance outside the U.S.A. contact:  
International Division  
Goodman Manufacturing Company, L.P.  
7401 Security Way  
Houston, Texas 77040  
713-861-2500-Telephone  
713-863-2382-Facsimile

# Functional Parts

**Part  
No:**

**Description:**

## Expanded Model Nomenclature

0130F00038	AUX LIMIT - LT BLUE 120° (QTY 2)
0163F00017	BECKETT BURNER (QTY A/R)
764740	BLOWER BLOCK-OFF 10 X 8 (M1, M2, M3)
0271F00181	BLOWER HSG ASSY (M1, M2, M3)
0271F00161	BLOWER SHELL & WHEEL ASSY (M6)
0271F00159	BLOWER SHELL & WHEEL ASSY (M4, M5)
0271F00163	BLOWER SHELL & WHEEL ASSY (M7)
0130F00010	FLAME SENSOR
0151M00027	GAS VALVE
0257F00384	HEAT EXCHANGER ASSY (M3)
0257F00379	HEAT EXCHANGER ASSY (M5)
0257F00387	HEAT EXCHANGER ASSY (M1, M2)
0257F00390	HEAT EXCHANGER ASSY. (M7)
0257F00393	HEAT EXCHANGER ASSY. (M6)
0257F00374	HEAT EXCHANGER ASSY. (M4)
0130M00243	INTERLOCK SWITCH
0130F00123	MANUAL RESET R.O.S. LIMIT (M5)
10123539	MANUAL RESET R.O.S. LIMIT (M3, M4)
10123534	MANUAL RESET R.O.S. LIMIT (M6)
10123533	MANUAL RESET R.O.S. LIMIT (M1, M2)
10123527	MANUAL RESET R.O.S. LIMIT (M7)
0131F00037	MOTOR, BLOWER (M7)
0131F00035	MOTOR, BLOWER (M5)
0131F00034	MOTOR, BLOWER (M4)
0131F00033	MOTOR, BLOWER (M3)
0131F00032	MOTOR, BLOWER (M1, M2)
0131F00036	MOTOR, BLOWER (M6)
PCBBF137	PCB IGNITION HSI INTEG (M2)
PCBBF133	PCB, IGNITION, HSI, INTEG. (M1, M3, M4, M5, M6, M7)
0130F00486	PRESSURE SWITCH (-.1 (COL BOX)) (M1, M2, M3)
0130F00481	PRESSURE SWITCH (-.1 (COL BOX)) (M4, M5, M6, M7)
0130F00470	PRESSURE SWITCH (-.30 / -.75) (M1)
0130F00472	PRESSURE SWITCH (-.67 / -1.15) (M2, M6)
0130F00471	PRESSURE SWITCH (-.72 / -.97) (M3)
0130F00474	PRESSURE SWITCH (-.72 / -1.47) (M5)
0130F00446	PRESSURE SWITCH (-.76 / -1.25) (M7)
0130F00473	PRESSURE SWITCH (-.92 / -1.47) (M4)
0130F00036	PRIMARY LIMIT - PINK 180° (M7)
20162906	PRIMARY LIMIT - WHITE (M6)
20162904	*PRIMARY LIMIT-TEMPERATURE CONTROL (M1, M2, M3, M4, M5) *Refer to SF-054r1
0130F00008	SINI IGNITOR
0130M00140	TRANSFORMER 120V TO 24V, 40VA WHEEL,
0150M00043	BLOWER (10 X 8) (M1, M2, M3)

M1 - GMEC960302BNAA
M2 - GMEC960302BNAB
M3 - GMEC960402BNAA
M4 - GMEC960603BNAA
M5 - GMEC960803BNAA
M6 - GMEC961004CNAA
M7 - GMEC961205DNAA

## SPECIAL PARTS

0161F00000P	GOODMAN NAMEPLATE
-------------	-------------------



# Cabinet

Ref. Part No: No:	Description:	Ref. Part No: No:	Description:
-------------------	--------------	-------------------	--------------

**Image 1:**

111	0154F00024	GASKET (QTY 2)
121	0154F00025	GASKET (QTY 2)
141	0161F00046	DRAIN TRAP
191	0121F00292DG	DOOR ACCESS 21" PNT (M6)
191	0121F00291DG	DOOR, ACCESS 17.5" PNT (M1, M2, M3, M4, M5)
191	0121F00293DG	DOOR, ACCESS 24.5" PNT (M7)
201	0121F00288DG	DOOR, BLOWER 17.5" PNT (M1, M2, M3, M4, M5)
201	0121F00289DG	DOOR, BLOWER 21" PNT (M6)
201	0121F00290DG	DOOR, BLOWER 24.5" PNT (M7)
281	B1392139	VIEW PORT BUSHING-BLOWER DOOR (QTY 2)
311	0154F00020	DECK GASKET (M1, M2, M3, M4, M5)
311	0154F00021	DECK GASKET (M6)
311	0154F00022	DECK GASKET (M7)
341	0164F00017	ELBOW/TRAP HOSE
351	0164F00006	COVER/TRAP HOSE
381	0161F00047	BARDED HOSE COUPLING
451	M0501301	PIPE GROMMET
491	M0570808	BUTTON PLUG (QTY 3)
501	M0570806	BUTTON PLUG
511	M0570807	BUTTON PLUG
521	0161M00027	HOLE PLUG
601	B1392021	PLASTIC PLUG, 1" (2713-BLK) (QTY 4)
741	B1392104	UNIVERSAL BUSHING UB 875
NS	M0310345	BUTTON PLUG (QTY 2)
NS	M0209730	DECORATIVE SCREW (QTY 3)
NS	0161F00000P	GOODMAN NAMEPLATE
NS	0163M00049	HOSE CLAMP (QTY 3)

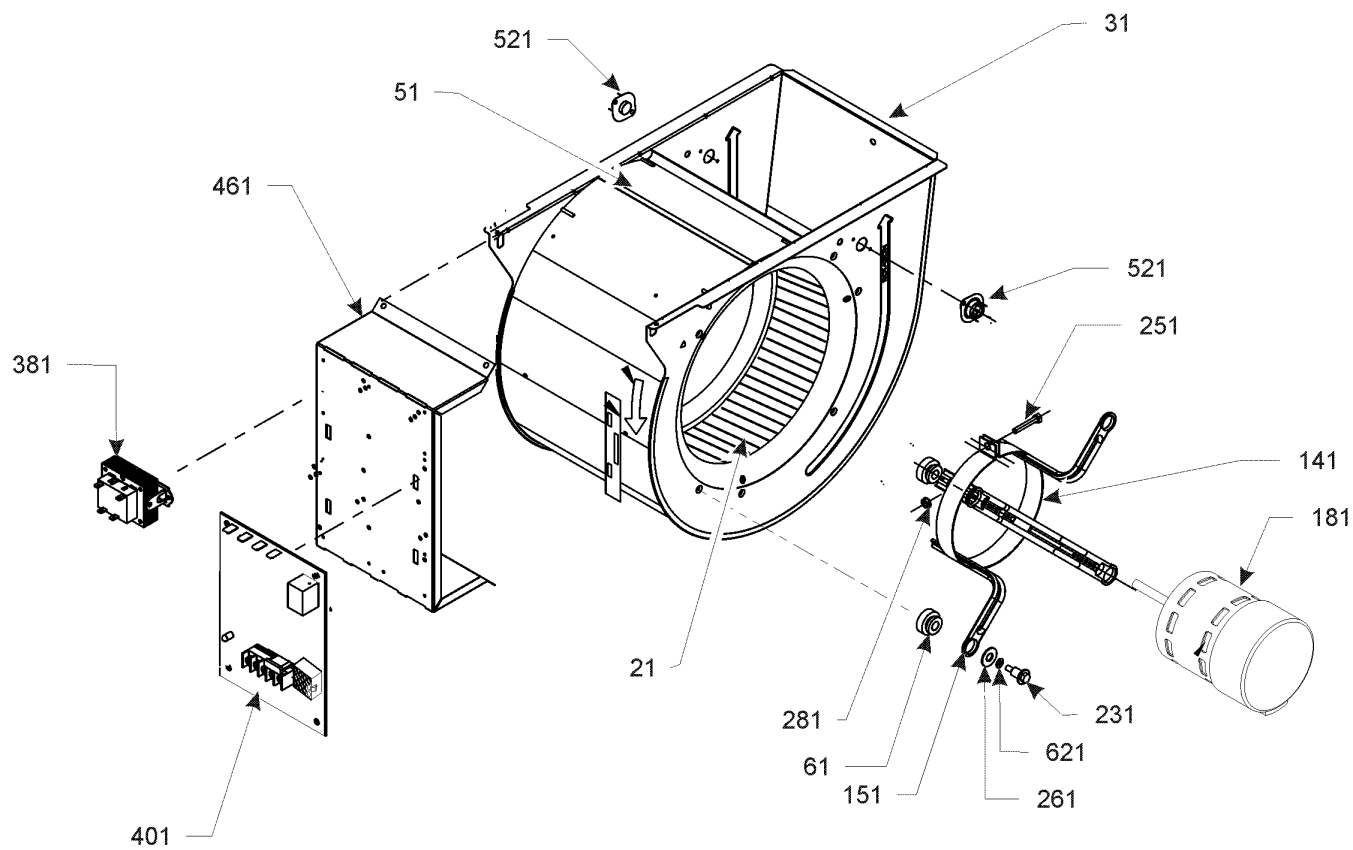
**Image 2:**

12	0270F03140	DRAIN PART BAG ASSY UF
22	0270F03138	BAG ASSY UF

**Expanded Model Nomenclature**

- |                     |
|---------------------|
| M1 - GMEC960302BNAA |
| M2 - GMEC960302BNAB |
| M3 - GMEC960402BNAA |
| M4 - GMEC960603BNAA |
| M5 - GMEC960803BNAA |
| M6 - GMEC961004CNAA |
| M7 - GMEC961205DNAA |

# Blower Assembly



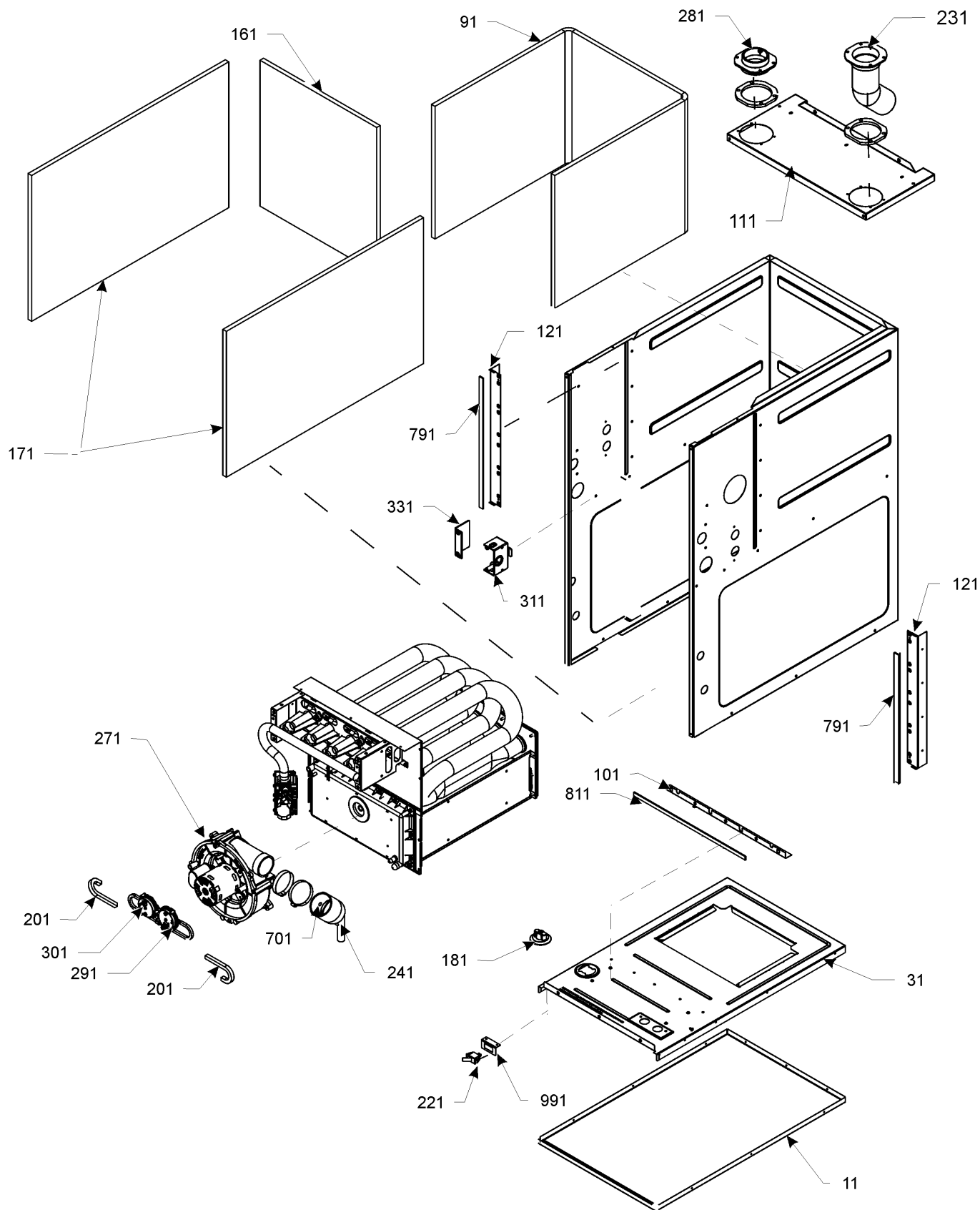
# Blower Assembly

Ref. Part No: No:	Description:	Ref. Part No: No:	Description:
<b>Image 1:</b>			
21	0150M00043		WHEEL, BLOWER (10 X 8) (M1, M2, M3)
31	0271F00181		BLOWER HSG ASSY (M1, M2, M3)
31	0271F00159		BLOWER SHELL & WHEEL ASSY (M4, M5)
31	0271F00161		BLOWER SHELL & WHEEL ASSY (M6)
31	0271F00163		BLOWER SHELL & WHEEL ASSY (M7)
51	764740		BLOWER BLOCK-OFF 10 X 8 (M1, M2, M3)
61	A4002702		BLOWER MOTOR GROMMET (M6, M7)
141	0121M00038		MOTOR MOUNT BAND (M1, M2, M3, M4, M5)
141	10441601		MOTOR MOUNT BAND (M6, M7)
151	10441501		MOTOR MOUNT ARM (M6, M7)
151	B1376857		MOTOR MOUNT ARM (M1, M2, M3, M4, M5)
181	0131F00032		MOTOR, BLOWER (M1, M2)
181	0131F00033		MOTOR, BLOWER (M3)
181	0131F00034		MOTOR, BLOWER (M4)
181	0131F00035		MOTOR, BLOWER (M5)
181	0131F00036		MOTOR, BLOWER (M6)
181	0131F00037		MOTOR, BLOWER (M7)
231	M0221461		TC SCREW (M6, M7)
231	M0250565		TC SCREW 1.25" (M1, M2, M3, M4, M5)
251	M0267144		MACHINE SCREW (M6, M7)
251	B1393323		MACHINE SCREW HWH 1/4-20 X 1-1/2 BZ (M1, M2, M3, M4, M5)
261	M0274008		FLAT WASHER (M6, M7)
261	B1392918		FLAT WASHER 1/4 ID X 1 OD (M1, M2, M3, M4, M5)
281	M0282015		KEPS NUT (M6, M7)
381	0130M00140		TRANSFORMER 120V TO 24V, 40VA
401	PCBBF137		PCB IGNITION HSI INTEG (M2)
401	PCBBF133		PCB, IGNITION, HSI, INTEG. (M1, M3, M4, M5, M6, M7)
461	0121F00464		CONTROL MOUNTING PLATE
521	0130F00038		AUX LIMIT - LT BLUE 120° (QTY 2)
621	B1392820		SLIT LOCK WASHER (M6, M7)
NS	B1392021		1" PLASTIC PLUG (QTY 4)
NS	0259F00024		HARNESS - BLOWER

## Expanded Model Nomenclature

M1 - GMEC960302BNAA
M2 - GMEC960302BNAB
M3 - GMEC960402BNAA
M4 - GMEC960603BNAA
M5 - GMEC960803BNAA
M6 - GMEC961004CNAA
M7 - GMEC961205DNAA

# Chassis





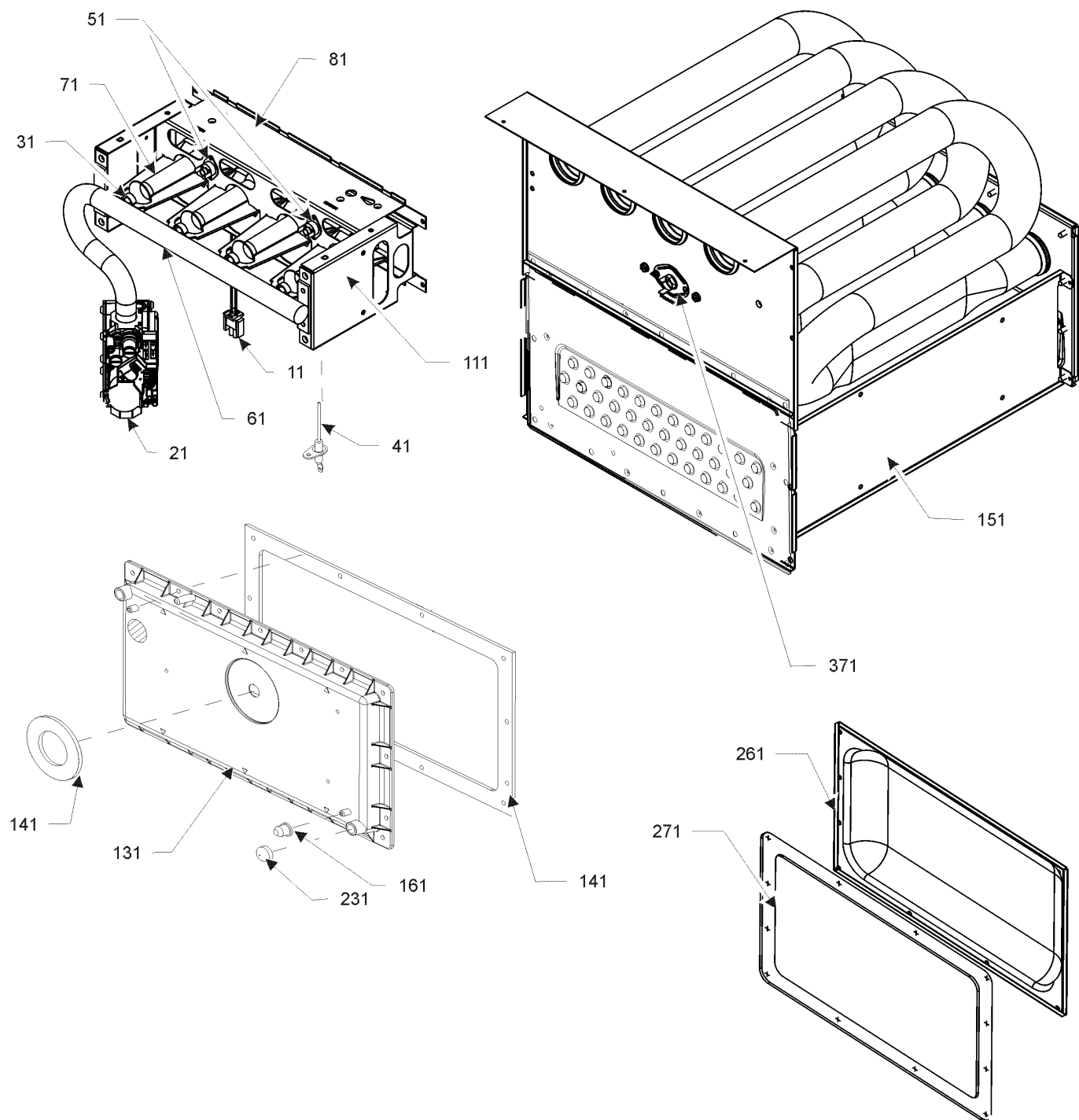
# Chassis

Ref. Part No:	Ref. Part No:	Description:	Description:
<b>Image 1:</b>			
11	0121F00386DG	BASEPAN, UPFLOW PNT (M1, M2, M3, M4, M5)	
11	0121F00387DG	BASEPAN, UPFLOW PNT (M6)	
11	0121F00388DG	BASEPAN, UPFLOW PNT (M7)	
31	0121F00285	DECK, BLOWER 17.5 (M1, M2, M3, M4, M5)	
31	0121F00286	DECK, BLOWER 21 (M6)	
31	0121F00287	DECK, BLOWER 24.5 (M7)	
91	0160F00015	INSULATION, HT EXCHANGER 17.5" (M1, M2, M3, M4, M5)	
91	0160F00016	INSULATION, HT EXCHANGER 21" (M6)	
91	0160F00017	INSULATION, HT EXCHANGER 24.5" (M7)	
101	0121F00314	ANGLE, DECK (M1, M2, M3, M4, M5)	
101	0121F00315	ANGLE, DECK (M6)	
101	0121F00316	ANGLE, DECK (M7)	
111	0121F00279DG	PAINTED TOP, FURNACE 17.5 (M1, M2, M3, M4, M5)	
111	0121F00280DG	PAINTED TOP, FURNACE 21 (M6)	
111	0121F00281DG	PAINTED TOP, FURNACE 24.5 (M7)	
121	0121F00313	SIDE ANGLE (QTY 2)	
161	0160F00012	INSULATION-BACK 17.5" (M1, M2, M3, M4, M5)	
161	0160F00013	INSULATION-BACK 21" (M6)	
161	0160F00014	INSULATION-BACK 24.5" (M7)	
171	0160F00018	INSULATION, SIDE (QTY 2)	
181	0159F00034	HARNESS, WIRING	
181	0159F00035	HARNESS, WIRING	
181	0159F00037	HARNESS, WIRING	
201	0164M00019	PRESSURE SW HOSE 6" (QTY 2)	
221	0130M00243	INTERLOCK SWITCH	
231	0164F00002	FLUE PIPE W/BEND	
241	0164F00001	ELBOW-FLUE, UPFLOW	
271	0171M00002	MOTOR-ID, BLOWER	
281	0161F00037	COUPLING	
291	0130F00481	PRESSURE SWITCH (-.1 (COL BOX)) (M4, M5, M6, M7)	
291	0130F00486	PRESSURE SWITCH (-.1 (COL BOX)) (M1, M2, M3)	
301	0130F00470	PRESSURE SWITCH (-.30 / -.75) (M1)	
301	0130F00472	PRESSURE SWITCH (-.67 / -1.15) (M2, M6)	
301	0130F00471	PRESSURE SWITCH (-.72 / -.97) (M3)	
301	0130F00474	PRESSURE SWITCH (-.72 / -1.47) (M5)	
301	0130F00446	PRESSURE SWITCH (-.76 / -1.25) (M7)	
301	0130F00473	PRESSURE SWITCH (-.92 / -1.47) (M4)	
311	0161F00042	JUNCTION BOX	
331	0161F00043	JUNCTION BOX LID	
701	M0326804	TUBE PLUG	
791	0154F00015	GASKET (QTY 2)	
811	0154F00014	GASKET (M1, M2, M3, M4, M5)	
811	0154F00016	GASKET (M6)	
811	20194607	GASKET (M7)	
991	0121F00389	BRACKET, DOOR SWITCH	

## Expanded Model Nomenclature

M1 - GMEC960302BNAA
M2 - GMEC960302BNAB
M3 - GMEC960402BNAA
M4 - GMEC960603BNAA
M5 - GMEC960803BNAA
M6 - GMEC961004CNAA
M7 - GMEC961205DNAA

# Heat Exchanger / Manifold / Gas Valve



# Heat Exchanger / Manifold / Gas Valve

**Ref. Part  
No: No:**

**Description:**

**Ref. Part  
No: No:**

**Description:**

**Image 1:**

11	0130F00008	SINI IGNITOR
21	0151M00027	GAS VALVE
31	0163F00004	ORIFICE (M3, M4, M5, M6, M7)
31	0163F00019	ORIFICE (M1, M2)
41	0130F00010	FLAME SENSOR
51	0130F00123	MANUAL RESET R.O.S. LIMIT (M5)
51	10123527	MANUAL RESET R.O.S. LIMIT (M7)
51	10123533	MANUAL RESET R.O.S. LIMIT (M1, M2)
51	10123534	MANUAL RESET R.O.S. LIMIT (M6)
51	10123539	MANUAL RESET R.O.S. LIMIT (M3, M4)
61	0163F00007	MANIFOLD (M1, M2, M3)
61	0163F00008	MANIFOLD (M4)
61	0163F00010	MANIFOLD (M6)
61	0163F00011	MANIFOLD (M7)
61	0163F00014	MANIFOLD (M5)
71	0163F00017	BECKETT BURNER (QTY A/R)
81	0121F00456	BRACKET-BURNER 2 (M1, M2, M3)
81	0121F00455	BRACKET-BURNER 3 (M4)
81	0121F00454	BRACKET-BURNER 4 (M5)
81	0121F00453	BRACKET-BURNER 5 (M6)
81	0121F00451	BRACKET-BURNER 6 (M7)
111	0121F00469	ORIFICE BRACKET-BURNER 2 (M1, M2, M3)
111	0121F00468	ORIFICE BRACKET-BURNER 3 (M4)
111	0121F00467	ORIFICE BRACKET-BURNER 4 (M5)
111	0121F00466	ORIFICE BRACKET-BURNER 5 (M6)
111	0121F00465	ORIFICE BRACKET-BURNER 6 (M7)
131	0161F00015	FRONT COVER (M3)
131	0161F00024	FRONT COVER (M5)
131	0161F00032	FRONT COVER (M1, M2)
131	0161F00054	FRONT COVER (M4)
131	0161F00063	FRONT COVER (M7)
131	0161F00065	FRONT COVER (M6)
141	0154F00011	FRONT GASKET (M1, M2, M3, M4, M5)
141	0154F00012	FRONT GASKET (M6)
141	0154F00013	FRONT GASKET (M7)
151	0257F00379	HEAT EXCHANGER ASSY (M5)
151	0257F00384	HEAT EXCHANGER ASSY (M3)
151	0257F00387	HEAT EXCHANGER ASSY (M1, M2)
151	0257F00374	HEAT EXCHANGER ASSY. (M4)
151	0257F00390	HEAT EXCHANGER ASSY. (M7)
151	0257F00393	HEAT EXCHANGER ASSY. (M6)
161	M0326804	TUBE PLUG
231	A1781105	CAP-VINYL .500
261	0121F00317	REAR COVER (M1, M2, M3, M4, M5)
261	0121F00318	REAR COVER (M6)
261	0121F00319	REAR COVER (M7)
271	0154F00037	REAR COVER GASKET (M1, M2, M3, M4, M5)
271	0154F00038	REAR COVER GASKET (M6)
271	0154F00039	REAR COVER GASKET (M7)
371	0130F00036	PRIMARY LIMIT - PINK 180° (M7)
371	20162906	PRIMARY LIMIT - WHITE (M6)
371	20162904	*PRIMARY LIMIT-TEMPERATURE CONTROL (M1, M2, M3, M4, M5) *Refer to SF-054r1
NS	0121F00439	PRIMARY LIMIT-HEAT SHIELD
NS	0121F00355	SHIELD, COIL (QTY 2)

**Expanded Model Nomenclature**

M1 - GMEC960302BNAA
M2 - GMEC960302BNAB
M3 - GMEC960402BNAA
M4 - GMEC960603BNAA
M5 - GMEC960803BNAA
M6 - GMEC961004CNAA
M7 - GMEC961205DNAA