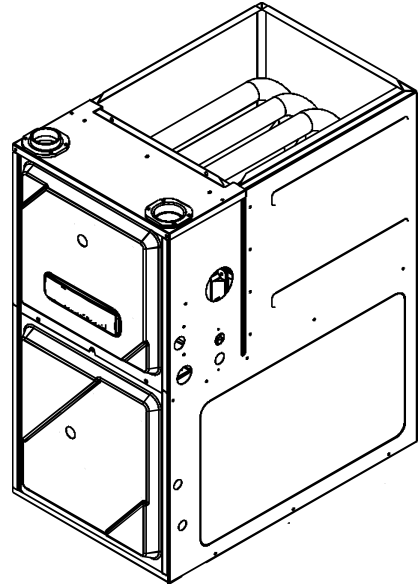


REPAIR PARTS

VMES 96% High Efficient Furnace

VMES960403ANAA
VMES960603BNAA
VMES960803BNAA
VMES960804CNAA
VMES961005CNAA



This manual is to be used by qualified technicians only.

© 2019 Goodman Manufacturing Company, L.P. ♦ 5151 San Felipe St, Suite 500 ♦ Houston, TX 77056

Important Information

Index

Functional Parts List	3
Illustration and Parts	4 - 11

Views shown are for parts illustrations only, not servicing procedures

Text Codes:

AR - As Required

NA - Not Available

NS - Not Shown

00000000 - See Note

QTY - Quantity Example (QTY 3) (If Quantity not shown, Quantity = 1)

M - Model Example (M1) (If M Code not shown, then part is used on all Models)

Expanded Model Nomenclature:

Example M1 - Model#1 M2 - Model#2 M3 - Model#3

Goodman Manufacturing Company, L.P. is not responsible for personal injury or property damage resulting from improper service. Review all service information before beginning repairs.

Warranty service must be performed by an authorized technician, using authorized factory parts. If service is required after the warranty expires, Goodman Manufacturing Company, L.P. also recommends contacting an authorized technician and using authorized factory parts.

Goodman Manufacturing Company, L.P. reserves the right to discontinue, or change at any time, specifications or designs without notice or without incurring obligations.

For assistance within the U.S.A. contact:

Homeowner Support

Goodman Manufacturing Company, L.P.

19001 Kermier Road

Waller, Texas 77484

877-254-4729-Telephone

713-863-2382-Facsimile

For assistance outside the U.S.A. contact:

International Division

Goodman Manufacturing Company, L.P.

19001 Kermier Road

Waller, Texas 77484

713-861-2500-Telephone

713-863-2382-Facsimile

Functional Parts

Part

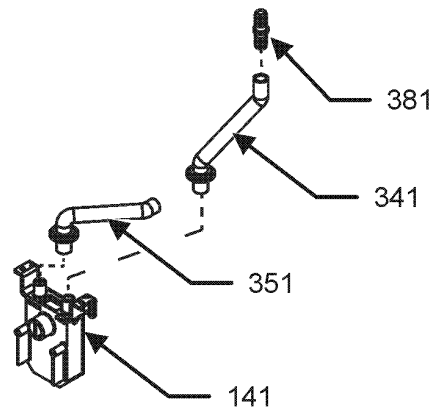
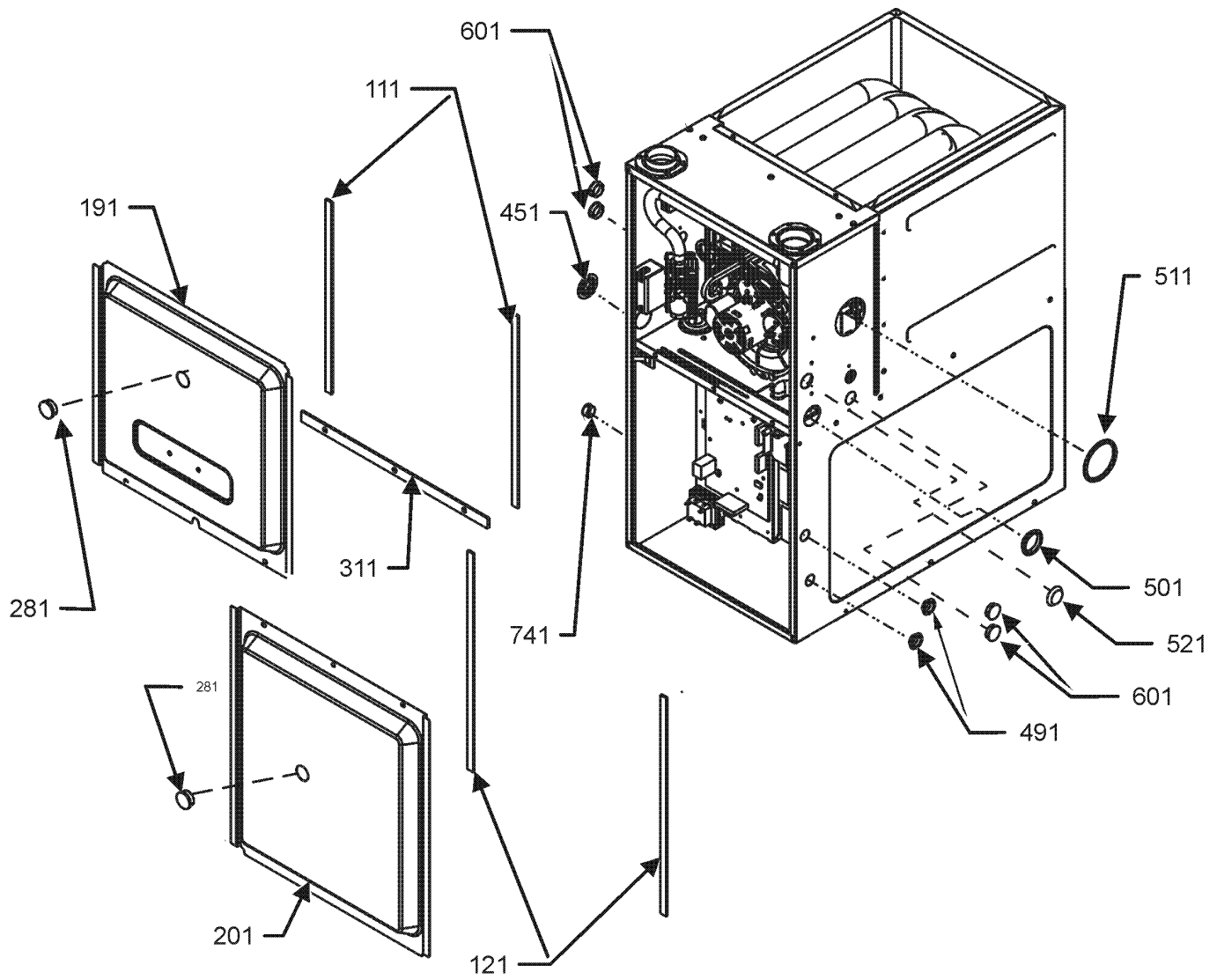
No: Description:

0257F00446	ASSY, HEAT EXCHANGER (M1)
0163F00017	BECKETT BURNER (QTY 2)
0271F00161	BLOWER SHELL & WHEEL ASSY (M4, M5)
0271F00322	BLOWER SHELL & WHEEL ASSY (M1)
0271F00159	BLOWER SHELL & WHEEL ASSY (M2, M3)
PCBBF145	CIRCUIT BOARD
0130F00010	FLAME SENSOR
0151M00037	GAS VALVE
0257F00379	HEAT EXCHANGER ASSY (M3)
0257F00374	HEAT EXCHANGER ASSY (M2)
0257F00280	HEAT EXCHANGER ASSY (M5)
0257F00240	HEAT EXCHANGER ASSY (M4)
0130F00008	IGNITOR-SINI 17 SEC
0130M00243	INTERLOCK SWITCH
20162903	LIMIT-BLUE (M1, M2, M4)
20162904	LIMIT-BROWN (M3, M5)
10123533	MANUAL RESET LIMIT - ROS (M1)
10123538	MANUAL RESET LIMIT - ROS (M3, M5)
10123539	MANUAL RESET LIMIT - ROS (M2, M4)
0131F00112	MOTOR X-13, BLOWER 1/2 H.P. (M1, M2, M3)
0131F00114	MOTOR X-13, BLOWER 1H.P. (M5)
0131F00113	MOTOR X-13, BLOWER 3/4 H.P. (M4)
0171M00008	MOTOR, ID BLOWER (M1)
0131F00146	MOTOR, PROGRAM-X13 (M4)
0131F00145	MOTOR, PROGRAM-X13 (M3)
0131F00144	MOTOR, PROGRAM-X13 (M2)
0131F00143	MOTOR, PROGRAM-X13 (M1)
0131F00148	MOTOR, PROGRAM-X13 (M5)
0171M00001	MOTOR-ID, BLOWER (M2, M3, M4, M5)
0130F00642	PRESSURE SWITCH (M1)
0130F00038	PRIMARY LIMIT - LT BLUE 120° (AUX) (QTY 2)
0130F00440	SWITCH, PRESSURE (M2)
0130F00439	SWITCH, PRESSURE (M3, M4, M5)

Expanded Model Nomenclature

M1 - VMES960403ANAA
M2 - VMES960603BNAA
M3 - VMES960803BNAA
M4 - VMES960804CNAA
M5 - VMES961005CNAA

Cabinet Assembly



DRAIN TRAP ASSEMBLY

Cabinet Assembly

Ref. Part No:	Ref. Part No:	Description:	Description:
Image 1:			
111	0154F00024	GASKET (QTY 2)	
121	0154F00025	GASKET (QTY 2)	
141	0161F00046	DRAIN TRAP	
191	0121F00291DB	DOOR, ACCESS 17.5 PNT (M2, M3)	
191	0121F00292DB	DOOR, ACCESS 21 PNT (M4, M5)	
191	0121F00674DB	PNT, DOOR ACCESS 14" (M1)	
201	0121F00672DB	DOOR, BLOWER 14" (M1)	
201	0121F00288DB	DOOR, BLOWER 17.5 PNT (M2, M3)	
201	0121F00289DB	DOOR, BLOWER 21 PNT (M4, M5)	
281	B1392139	VIEW PORT BUSHING-BLOWER DOOR (QTY 2)	
311	0154F00020	GASKET, DECK (M2, M3)	
311	0154F00021	GASKET, DECK (M4, M5)	
311	0154F00063	GASKET, DECK (M1)	
341	0164F00017	HOSE-ELBOW/TRAP	
351	0164F00020	DRAIN HOSE (M1)	
351	0164F00006	HOSE, COVER/TRAP (M2, M3, M4, M5)	
381	0161F00047	COUPLING, HOSE BARBED	
451	M0501301	PIPE GROMMET	
491	M0570808	BUTTON PLUG (QTY 3)	
501	M0570806	BUTTON PLUG	
511	M0570807	BUTTON PLUG	
521	0161M00027	PLUG, HOLE (M1, M2, M3, M5)	
601	B1392021	PLASTIC PLUG, 1" (2713-BLK) (QTY 4)	
741	B1392104	UNIVERSAL BUSHING UB 875	
NS	M0310345	BUTTON PLUG (QTY 2)	
NS	0164F00020	DRAIN HOSE (M1)	
NS	0270F04115	DRAIN KIT ASSY UF	
NS	M0273904	RETAINER-SCREW (QTY 3)	
NS	M0209730	SCREW-DECORATIVE (QTY 3)	

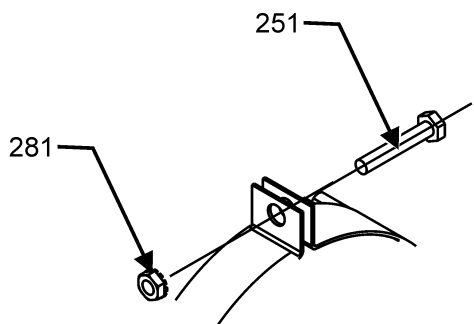
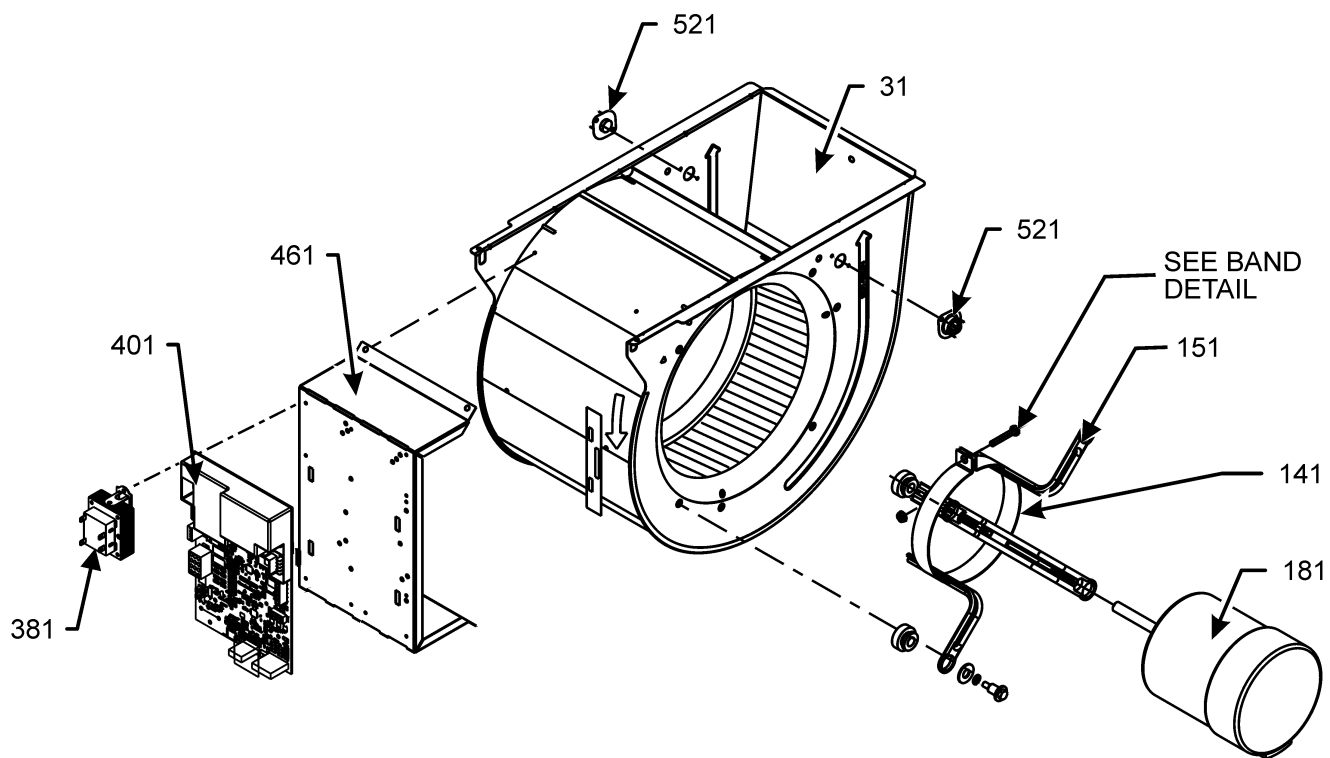
Expanded Model Nomenclature

M1 - VMES960403ANAA
M2 - VMES960603BNAA
M3 - VMES960803BNAA
M4 - VMES960804CNAA
M5 - VMES961005CNAA

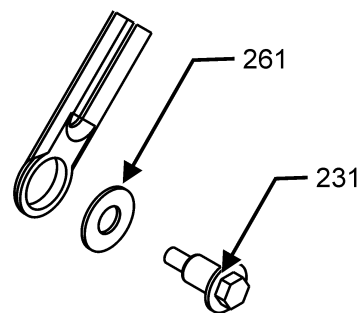
Blower Assembly

BLOWER ASSEMBLY

*If end bells are needed please order the following:
0131M00182 - 1/2 HP
0131M00183 - 3/4 HP
0131M00184 - 1 HP



BAND DETAIL



BLOWER ARM DETAIL

BLOWER ASSEMBLY MAY DIFFER FROM WHAT IS SHOWN

Blower Assembly

Ref. Part No:	Ref. Part No:	Description:	Description:
---------------	---------------	--------------	--------------

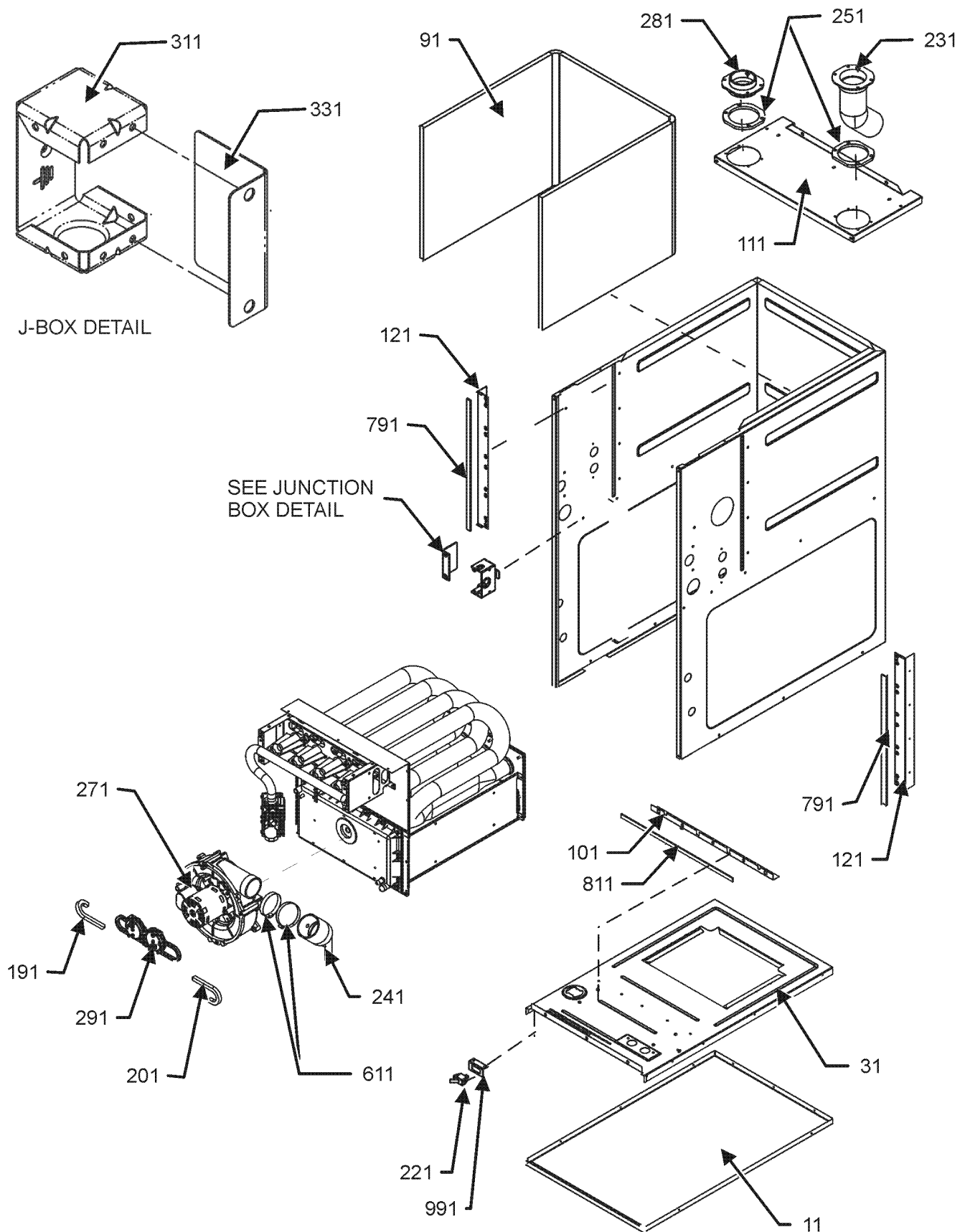
Image 1:

31	0271F00159	BLOWER SHELL & WHEEL ASSY (M2, M3)
31	0271F00161	BLOWER SHELL & WHEEL ASSY (M4, M5)
31	0271F00322	BLOWER SHELL & WHEEL ASSY (M1)
141	0121M00039	MOUNT BAND, MOTOR (HEAVY DUTY)
151	B1376863	MOUNT ARM, MOTOR (HEAVY DUTY) (QTY 3)
231	M0250565	SCREW-TC 1.25" (QTY 3)
251	0163M00320	HEX HEAD ALL THREAD TAP BOLT
261	B1392918	WASHER, FLAT 1/4 ID X 1 OD (QTY 3)
281	B1393800	LOCKNUT, NYLON, INSERT 1/4,20
381	0130M00140	TRANSFORMER 120V TO 24V, 40VA
401	PCBBF145	CIRCUIT BOARD
461	0121F00464	MOUNTING PLATE-CONTROLS
521	0130F00038	PRIMARY LIMIT - LT BLUE 120° (AUX) (QTY 2)
181	0131F00143	MOTOR, PROGRAM-X13 (M1)
181	0131F00144	MOTOR, PROGRAM-X13 (M2)
181	0131F00145	MOTOR, PROGRAM-X13 (M3)
181	0131F00146	MOTOR, PROGRAM-X13 (M4)
181	0131F00148	MOTOR, PROGRAM-X13 (M5)
NS	B1392021	PLASTIC PLUG, 1" (2713-BLK) (QTY 4)
NS	0259F00024	WIRE HARNESS-BLOWER

Expanded Model Nomenclature

- | |
|---------------------|
| M1 - VMES960403ANAA |
| M2 - VMES960603BNAA |
| M3 - VMES960803BNAA |
| M4 - VMES960804CNAA |
| M5 - VMES961005CNAA |

Chassis Assembly



Chassis Assembly

Ref. Part No: No:	Description:	Ref. Part No: No:	Description:
-------------------	--------------	-------------------	--------------

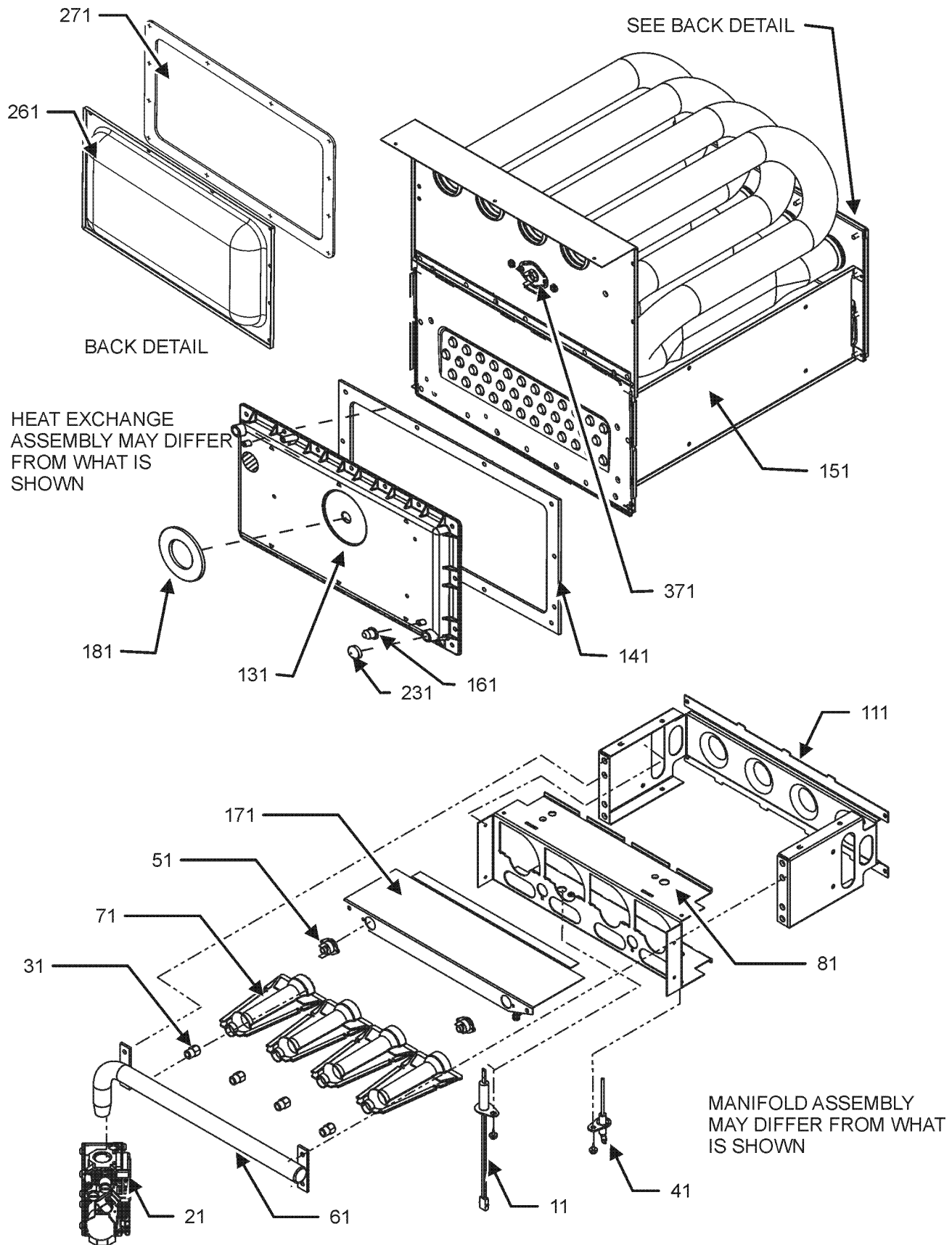
Image 1:

11	0121F00530DG	BASEPAN, 17.5 (M2, M3)
11	0121F00531DG	BASEPAN, 21 PNT (M4, M5)
11	0121F00664DG	BASEPAN, 14 PNT (M1)
31	0121F00663	DECK, BLOWER 14" (M1)
31	0121F00533	DECK-BLOWER 17.5" (M2, M3)
31	0121F00534	DECK-BLOWER 21" (M4, M5)
91	0160F00025	INSULATION, HT EXCHANGER (M1)
91	0160F00015	INSULATION, HT EXCHANGER 17.5" (M2, M3)
91	0160F00016	INSULATION, HT EXCHANGER 21" (M4, M5)
101	0121F00661	ANGLE, DECK (M1)
111	0121F00662DG	PNT, FURNACE TOP 14" (M1)
121	0121F00313	ANGLE, SIDE (QTY 2)
191	0164M00015	PRESSURE SWITCH HOSE
201	0164M00008	HOSE-PRESSURE SW
221	0130M00243	INTERLOCK SWITCH
231	0164F00002	FLUE PIPE W/BEND
241	0164F00001	ELBOW-FLUE, UPFLOW
251	0154F00041	FRESH AIR GASKET
271	0171M00008	MOTOR, ID BLOWER (M1)
271	0171M00001	MOTOR-ID, BLOWER (M2, M3, M4, M5)
281	0161F00037	COUPLING
291	0130F00642	PRESSURE SWITCH (M1)
291	0130F00439	SWITCH, PRESSURE (M3, M4, M5)
291	0130F00440	SWITCH, PRESSURE (M2)
311	0161F00042	JUNCTION BOX PLA
331	0161F00043	JUNCTION BOX LID
611	0163M00460	CLAMP-HOSE (QTY 2)
791	0154F00015	GASKET (QTY 2)
811	0154F00014	GASKET (M2, M3)
811	0154F00016	GASKET (M4, M5)
811	0154F00064	GASKET (M1)
991	0121F00389	BRACKET, DOOR SWITCH
NS	0159F00067	HARNESS, WIRING (M4, M5)
NS	0159F00098	HARNESS, WIRING (M1, M2, M3)
NS	M0326804	PLUG-TUBE

Expanded Model Nomenclature

- | |
|---------------------|
| M1 - VMES960403ANAA |
| M2 - VMES960603BNAA |
| M3 - VMES960803BNAA |
| M4 - VMES960804CNAA |
| M5 - VMES961005CNAA |

Heat Exchange Assembly



Heat Exchange Assembly

Ref. Part No:	Ref. Part No:	Description:	Description:
Image 1:		Expanded Model Nomenclature	
11	0130F00008	IGNITOR-SINI 17 SEC	M1 - VMES960403ANAA
21	0151M00037	GAS VALVE	M2 - VMES960603BNAA
31	10716005	ORIFICE (QTY 2)	M3 - VMES960803BNAA
41	0130F00010	FLAME SENSOR	M4 - VMES960804CNAA
51	10123533	MANUAL RESET LIMIT - ROS (M1)	M5 - VMES961005CNAA
51	10123538	MANUAL RESET LIMIT - ROS (M3, M5)	
51	10123539	MANUAL RESET LIMIT - ROS (M2, M4)	
61	0163F00007	MANIFOLD (M1)	
61	0163F00008	MANIFOLD (M2)	
61	0163F00009	MANIFOLD (M4)	
61	0163F00010	MANIFOLD (M5)	
61	0163F00014	MANIFOLD (M3)	
71	0163F00017	BECKETT BURNER (QTY 2)	
81	0121F00456	BRACKET-BURNER 2 (M1)	
81	0121F00455	BRACKET-BURNER 3 (M2)	
81	0121F00454	BRACKET-BURNER 4 (M3, M4)	
81	0121F00453	BRACKET-BURNER 5 (M5)	
111	0121F00469	ORIFICE BRACKET-BURNER 2 (M1)	
111	0121F00468	ORIFICE BRACKET-BURNER 3 (M2)	
111	0121F00467	ORIFICE BRACKET-BURNER 4 (M3, M4)	
111	0121F00466	ORIFICE BRACKET-BURNER 5 (M5)	
131	0161F00024	COVER, FRONT (M3)	
131	0161F00026	COVER, FRONT (M5)	
131	0161F00030	COVER, FRONT (M4)	
131	0161F00054	COVER, FRONT (M2)	
131	0161F00080	COVER, FRONT (M1)	
141	0154F00026	GASKET FRONT COVER (M2, M3)	
141	0154F00030	GASKET FRONT COVER (M4, M5)	
141	0154F00062	GASKET FRONT COVER (M1)	
151	0257F00446	ASSY, HEAT EXCHANGER (M1)	
151	0257F00240	HEAT EXCHANGER ASSY (M4)	
151	0257F00280	HEAT EXCHANGER ASSY (M5)	
151	0257F00374	HEAT EXCHANGER ASSY (M2)	
151	0257F00379	HEAT EXCHANGER ASSY (M3)	
161	M0326804	TUBE PLUG	
171	0121F00539	SHEILD, BURNER (M1)	
171	0121F00540	SHEILD, BURNER (M2)	
171	0121F00541	SHEILD, BURNER (M3, M4)	
171	0121F00542	SHEILD, BURNER (M5)	
181	0154F00043	GASKET ID BLOWER	
231	A1781105	CAP-VINYL .500	
261	0121F00317	COVER, REAR (M2, M3)	
261	0121F00318	COVER, REAR (M4, M5)	
261	0121F00670	COVER, REAR (M1)	
271	0154F00058	GASKET REAR CVR (M1)	
271	0154F00037	GASKET, REAR CVR (M2, M3)	
271	0154F00038	GASKET, REAR CVR (M4, M5)	
371	20162903	LIMIT-BLUE (M1, M2, M4)	
371	20162904	LIMIT-BROWN (M3, M5)	
NS	0121F00582	INSULATION, RETAINER (M1)	
NS	0121F00583	INSULATION, RETAINER (M2, M3)	
NS	0121F00584	INSULATION, RETAINER (M4, M5)	
NS	0121F00439	PRIMARY LIMIT-HEAT SHIELD	
NS	0121F00355	SHIELD, COIL (QTY 2)	
NS	0159F00076	WIRING HARNESS	