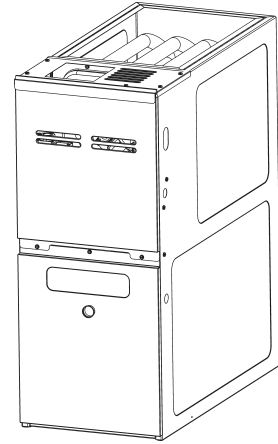


REPAIR PARTS

VMES 80% High Efficient Furnace

VMES800403AXAA
VMES800603AXAA
VMES800604BXAA
VMES800804BXAA
VMES800805CXAA
VMES801005CXAA



This manual is to be used by qualified technicians only.

© 2019 Goodman Manufacturing Company, L.P. ♦ 5151 San Felipe St, Suite 500 ♦ Houston, TX 77056

Important Information

Index

Functional Parts List	3
Illustration and Parts	4 - 9

Views shown are for parts illustrations only, not servicing procedures

Text Codes:

AR - As Required

NA - Not Available

NS - Not Shown

00000000 - See Note

QTY - Quantity Example (QTY 3) (If Quantity not shown, Quantity = 1)

M - Model Example (M1) (If M Code not shown, then part is used on all Models)

Expanded Model Nomenclature:

Example M1 - Model#1 M2 - Model#2 M3 - Model#3

Goodman Manufacturing Company, L.P. is not responsible for personal injury or property damage resulting from improper service. Review all service information before beginning repairs.

Warranty service must be performed by an authorized technician, using authorized factory parts. If service is required after the warranty expires, Goodman Manufacturing Company, L.P. also recommends contacting an authorized technician and using authorized factory parts.

Goodman Manufacturing Company, L.P. reserves the right to discontinue, or change at any time, specifications or designs without notice or without incurring obligations.

For assistance within the U.S.A. contact:
Homeowner Support
Goodman Manufacturing Company, L.P.
19001 Kermier Road
Waller, Texas 77484
877-254-4729-Telephone
713-863-2382-Facsimile

For assistance outside the U.S.A. contact:
International Division
Goodman Manufacturing Company, L.P.
19001 Kermier Road
Waller, Texas 77484
713-861-2500-Telephone
713-863-2382-Facsimile

Functional Parts

Part

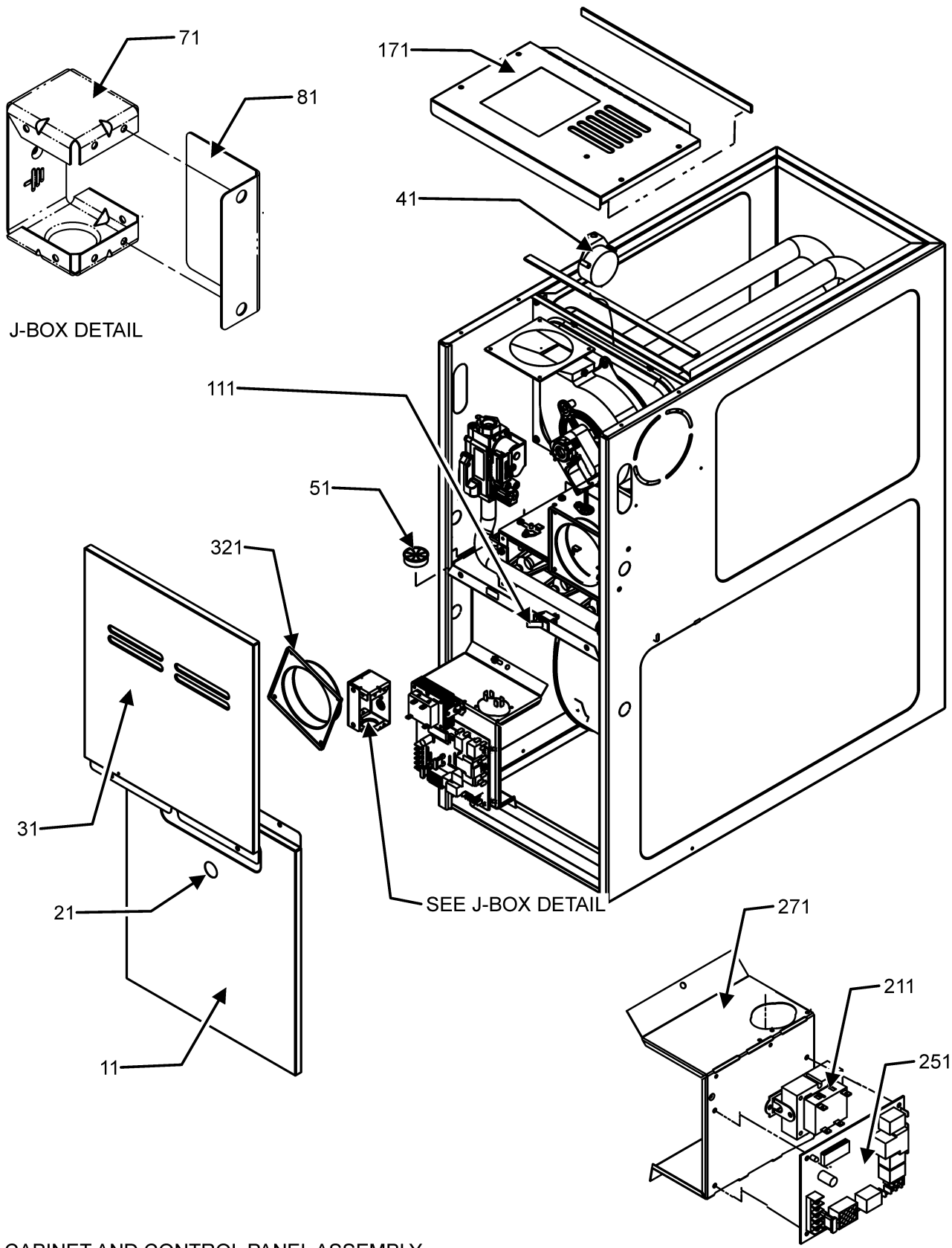
No: Description:

20162904	*PRIMARY LIMIT-TEMPERATURE CONTROL (M2, M3, M4, M6)
0130F00038	AUX LIMIT - LT BLUE 120°
B1368034	BLOWER WHEEL 10 X 6 (M1, M2)
PCBBF145	CIRCUIT BOARD
0130F00010	FLAME SENSOR
0151M00037	GAS VALVE
10690402	INTERLOCK SWITCH
20162903	LIMIT (M5)
20162901	LIMIT (M1)
10123529	MANUAL RESET R.O.S. LIMIT (QTY 2)
0131F00112	MOTOR X-13, BLOWER 1/2 H.P. (M1, M2)
0131F00114	MOTOR X-13, BLOWER 1H.P. (M5, M6)
0131F00113	MOTOR X-13, BLOWER 3/4 H.P. (M3, M4)
0131F00121	MOTOR, PROGRAM-X13 (M2)
0131F00128	MOTOR, PROGRAM-X13 (M6)
0131F00120	MOTOR, PROGRAM-X13 (M1)
0131F00125	MOTOR, PROGRAM-X13 (M4)
0131F00123	MOTOR, PROGRAM-X13 (M3)
0131F00127	MOTOR, PROGRAM-X13 (M5)
0131M00002P	MOTOR, VENT 80+
0130F00008	SINI IGNITOR
0130F00506	SWITCH, PRESSURE (M2, M3, M5)
0130F00505	SWITCH, PRESSURE (M1, M4, M6)
0130M00140	TRANSFORMER 120V TO 24V, 40VA
DY6.186.070	VENT MOTOR CAPACITOR
0150M00042	WHEEL, BLOWER (10 X 10) (M5, M6)
0150M00043	WHEEL, BLOWER (10 X 8) (M3, M4)

Expanded Model Nomenclature

M1 - VMES800403AXAA
M2 - VMES800603AXAA
M3 - VMES800604BXAA
M4 - VMES800804BXAA
M5 - VMES800805CXAA
M6 - VMES801005CXAA

Cabinet and Control Panel Assembly



CABINET AND CONTROL PANEL ASSEMBLY
MAY DIFFER FROM WHAT IS SHOWN

CONTROL PANEL ASSEMBLY

Cabinet and Control Panel Assembly

Ref. Part No:	Part No:	Description:	Ref. Part No:	Part No:	Description:
---------------	----------	--------------	---------------	----------	--------------

Image 1:

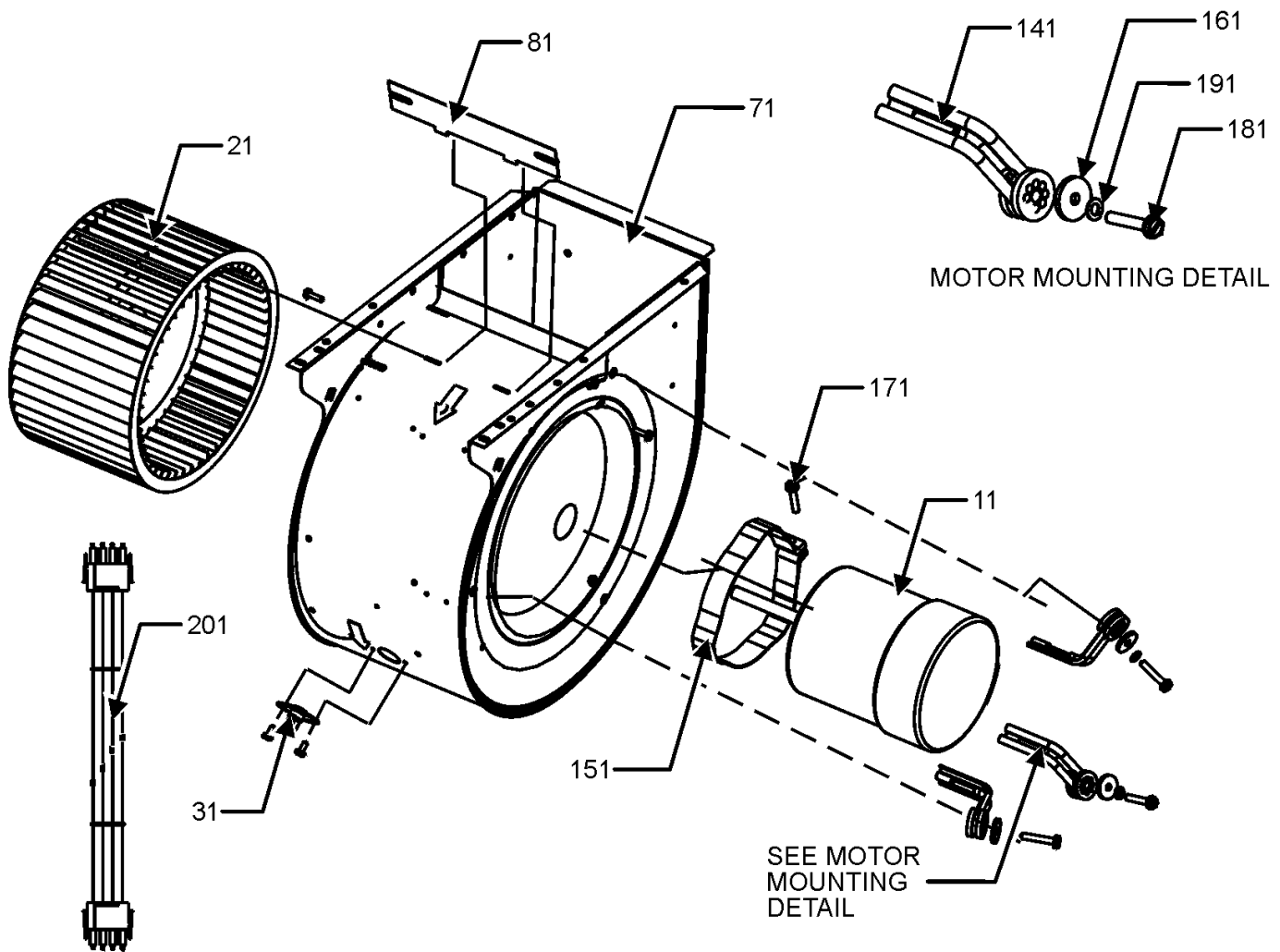
11	0121F00122DB	DOOR BLOWER, 14" - PAINTED (M1)
11	0121F00123DB	DOOR BLOWER, 17.5" - PAINTED (M3, M4)
11	0121F00124DB	DOOR BLOWER, 21" - PAINTED (M5, M6)
11	0121F00122DG	DOOR, BLOWER, 14"-PAINTED (M2)
21	B1392139	VIEW PORT BUSHING-BLOWER DOOR
31	0121F00118DB	DOOR CTRL ACCESS, 14"-PAINTED (M1)
31	0121F00118DG	DOOR CTRL ACCESS, 14"-PAINTED (M2)
31	0121F00120DB	DOOR CTRL ACCESS, 21"-PAINTED (M5, M6)
31	0121F00119DB	DOOR CTRL ACCESS, 17.5"-PAINTED (M3, M4)
41	0130F00505	SWITCH, PRESSURE (M1, M4, M6)
41	0130F00506	SWITCH, PRESSURE (M2, M3, M5)
51	B1392147	UNIVERSAL BUSHING WITH SLICE
71	4014502	J-BOX
81	4015502	J-BOX COVER
111	10690402	INTERLOCK SWITCH
171	0121F00141DG	TOP, FURNACE 14"-PAINTED (M1, M2)
171	0121F00142DG	TOP, FURNACE 17.5"-PAINTED (M3, M4)
171	0121F00143DG	TOP, FURNACE 21"-PAINTED (M5, M6)
211	0130M00140	TRANSFORMER 120V TO 24V, 40VA
251	PCBBF145	CIRCUIT BOARD
271	1815817	CNTRL MT PNL
321	4023500	CHIMNEY TRANSITION TOP

Expanded Model Nomenclature

- | |
|---------------------|
| M1 - VMES800403AXAA |
| M2 - VMES800603AXAA |
| M3 - VMES800604BXAA |
| M4 - VMES800804BXAA |
| M5 - VMES800805CXAA |
| M6 - VMES801005CXAA |

Blower Assembly

BLOWER ASSEMBLY



BLOWER ASSEMBLY MAY DIFFER FROM WHAT IS SHOWN

Blower Assembly

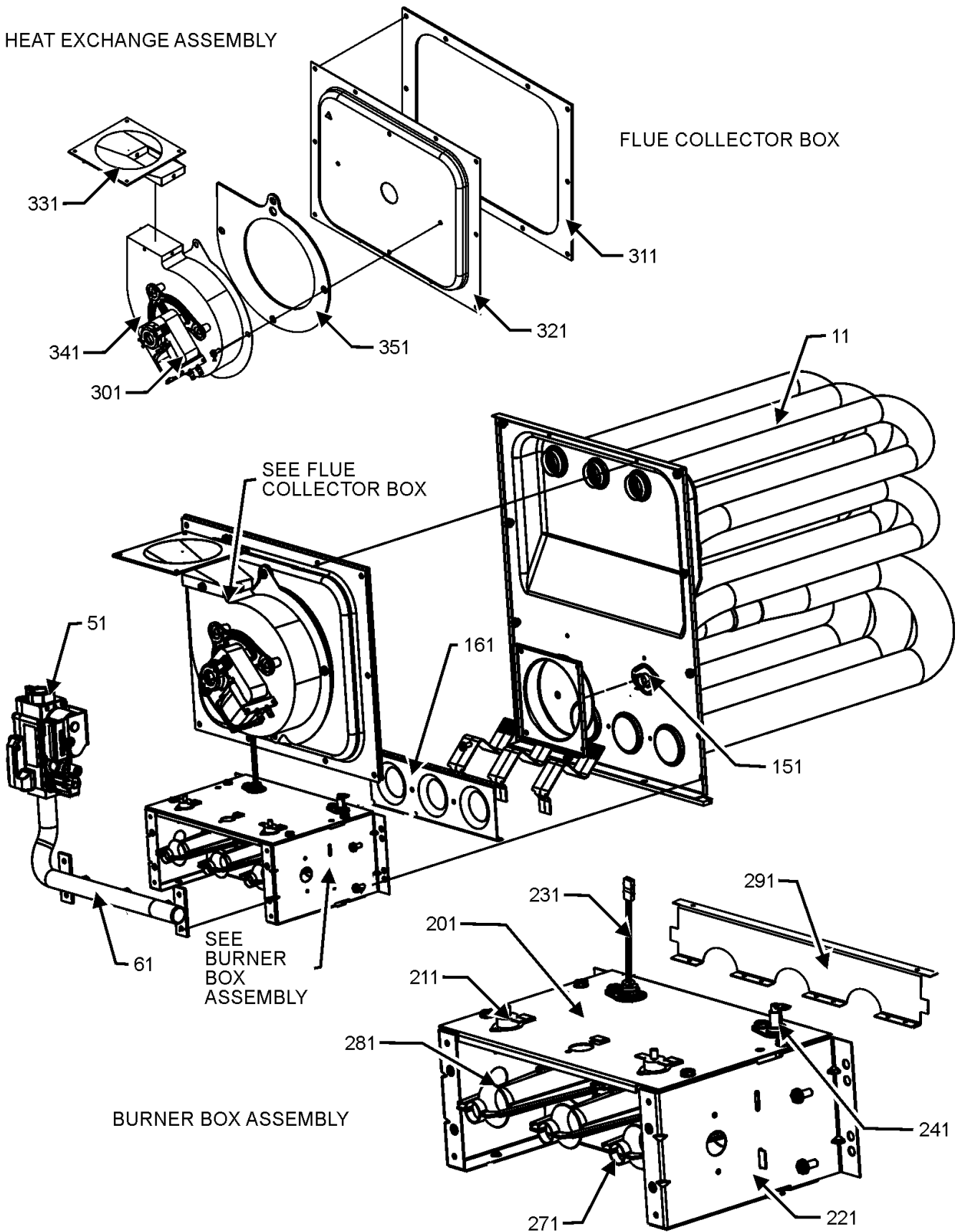
Ref. Part No:	No:	Description:	Ref. Part No:	No:	Description:
<i>Image 1:</i>					
11	0131F00120	MOTOR, PROGRAM-X13 (M1)			
11	0131F00121	MOTOR, PROGRAM-X13 (M2)			
11	0131F00123	MOTOR, PROGRAM-X13 (M3)			
11	0131F00125	MOTOR, PROGRAM-X13 (M4)			
11	0131F00127	MOTOR, PROGRAM-X13 (M5)			
11	0131F00128	MOTOR, PROGRAM-X13 (M6)			
21	B1368034	BLOWER WHEEL 10 X 6 (M1, M2)			
21	0150M00042	WHEEL, BLOWER (10 X 10) (M5, M6)			
21	0150M00043	WHEEL, BLOWER (10 X 8) (M3, M4)			
31	0130F00038	AUX LIMIT - LT BLUE 120°			
71	2539307	BLOWER HOUSING 10 X 10 (M5, M6)			
71	2539305	BLOWER HOUSING 10 X 6 (M1, M2) BLOWER			
71	2539306	HOUSING 10 X 8 (M3, M4) BLOWER BLOCK-			
81	764741	OFF 10 X 10 (M5, M6) BLOWER BLOCK-OFF			
81	764740	10 X 8 (M3, M4) BLOWER CUT-OFF 10 X 6			
81	764739	(M1, M2)			
141	B1376863	MOUNT ARM, MOTOR (HEAVY DUTY) (QTY			
151	0121M00039	3) MOUNT BAND, MOTOR (HEAVY DUTY)			
161	B1392918	WASHER FLAT 1/4 ID X 1OD (QTY 3)			
171	0163M00320	HEX HEAD ALL THREAD TAP BOLT			
181	M0250565	SCREW-TC 1.25" (QTY 3)			
191	B1393800	LOCKNUT NYLON INSERT 1/4,20			
201	0159F00076	WIRING HARNESS			

Expanded Model Nomenclature

M1 - VMES800403AXAA
M2 - VMES800603AXAA
M3 - VMES800604BXAA
M4 - VMES800804BXAA
M5 - VMES800805CXAA
M6 - VMES801005CXAA

Heat Exchange Assembly

HEAT EXCHANGE ASSEMBLY



Heat Exchange Assembly

Ref. Part No:	Ref. Part No:	Description:	Description:
Image 1:		Expanded Model Nomenclature	
11	0270F00900	HEAT EXCHANGER ASSY (M1)	M1 - VMES800403AXAA
11	0270F00901	HEAT EXCHANGER ASSY (M2)	M2 - VMES800603AXAA
11	0270F00902	HEAT EXCHANGER ASSY (M4)	M3 - VMES800604BXAA
11	0270F00903	HEAT EXCHANGER ASSY (M6)	M4 - VMES800804BXAA
11	0270F00929	HEAT EXCHANGER ASSY (M3)	M5 - VMES800805CXAA
11	0270F00930	HEAT EXCHANGER ASSY (M5)	M6 - VMES801005CXAA
51	0151M00037	GAS VALVE	
61	0120F00006	MANIFOLD (M1)	
61	0120F00007	MANIFOLD (M2, M3)	
61	0120F00008	MANIFOLD (M4, M5)	
61	0120F00009	MANIFOLD (M6)	
151	20162904	*PRIMARY LIMIT-TEMPERATURE CONTROL (M2, M3, M4, M6)	
151	20162901	LIMIT (M1)	
151	20162903	LIMIT (M5)	
161	4028000	ORIFICE SHIELD 2 CELL (M1)	
161	4028001	ORIFICE SHIELD 3 CELL (M2, M3)	
161	4028002	ORIFICE SHIELD 4 CELL (M4, M5)	
161	4028003	ORIFICE SHIELD 5 CELL (M6)	
201	0121F00162	BURNER BOX TOP 2 CELL (M1)	
201	0121F00163	BURNER BOX TOP 3 CELL (M2, M3)	
201	0121F00164	BURNER BOX TOP 4 CELL (M4, M5)	
201	0121F00165	BURNER BOX TOP 5 CELL (M6)	
211	10123529	MANUAL RESET R.O.S. LIMIT (QTY 2)	
221	0121F00146	SIDE PLATE BURNER BOX (QTY 2)	
231	0130F00008	SINI IGNITOR	
241	0130F00010	FLAME SENSOR	
271	10716005	ORIFICE (QTY 2)	
281	B4022700	INSHOT BURNER ASSY 3" (QTY 2)	
291	0121F00167	BURNER BRACKET 2B (M1)	
291	0121F00168	BURNER BRACKET 3B (M2, M3)	
291	0121F00169	BURNER BRACKET 4B (M4, M5)	
291	0121F00170	BURNER BRACKET 5B (M6)	
301	DY6.186.070	VENT MOTOR CAPACITOR	
311	0154F00003	GASKET-14 INCH (M1, M2)	
311	0154F00004	GASKET-17.5 INCH (M3, M4)	
311	0154F00005	GASKET-21 INCH (M5, M6)	
321	0121F00333	21" COLLECTOR BOX 1.75" DIA (M5)	
321	0121F00126	FLUE COLLECTOR BOX KIT 14" 1.25 DIA (M1)	
321	0121F00198	FLUE COLLECTOR BOX KIT 14" 1.75 DIA (M2)	
321	0121F00128	FLUE COLLECTOR BOX KIT 17.5" 1.75 DIA (M3, M4)	
331	0128F00006	CHIMNEY TRANSITION BOTTOM	
341	0131M00002P	MOTOR, VENT 80+	
351	0154F00003	GASKET-14 INCH (M1, M2)	
351	0154F00004	GASKET-17.5 INCH (M3, M4)	
351	0154F00005	GASKET-21 INCH (M5, M6)	
NS	0259F00054	HARNESS, WIRE ASSY 12 PIN (80%)	
NS	0159F00099	WIRE HARNESS ASSY, IGNITOR	
NS	0259F00078	WIRE KIT ASSY .	
NS	0159F00076	WIRING HARNESS	