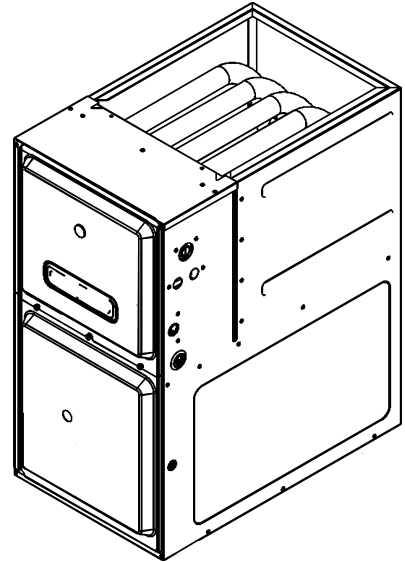


REPAIR PARTS

VCES 96% High Efficient Furnace

VCES960403BNAA
VCES960603BNAA
VCES960804CNAA
VCES961005CNAA



This manual is to be used by qualified technicians only.

© 2019 Goodman Manufacturing Company, L.P. ♦ 5151 San Felipe St, Suite 500 ♦ Houston, TX 77056

Important Information

Index

Functional Parts List	3
Illustration and Parts	4 - 11

Views shown are for parts illustrations only, not servicing procedures

Text Codes:

AR - As Required

NA - Not Available

NS - Not Shown

00000000 - See Note

QTY - Quantity Example (QTY 3) (If Quantity not shown, Quantity = 1)

M - Model Example (M1) (If M Code not shown, then part is used on all Models)

Expanded Model Nomenclature:

Example M1 - Model#1 M2 - Model#2 M3 - Model#3

Goodman Manufacturing Company, L.P. is not responsible for personal injury or property damage resulting from improper service. Review all service information before beginning repairs.

Warranty service must be performed by an authorized technician, using authorized factory parts. If service is required after the warranty expires, Goodman Manufacturing Company, L.P. also recommends contacting an authorized technician and using authorized factory parts.

Goodman Manufacturing Company, L.P. reserves the right to discontinue, or change at any time, specifications or designs without notice or without incurring obligations.

For assistance within the U.S.A. contact:
Homeowner Support
Goodman Manufacturing Company, L.P.
19001 Kermier Road
Waller, Texas 77484
877-254-4729-Telephone
713-863-2382-Facsimile

For assistance outside the U.S.A. contact:
International Division
Goodman Manufacturing Company, L.P.
19001 Kermier Road
Waller, Texas 77484
713-861-2500-Telephone
713-863-2382-Facsimile

Functional Parts

Part

No: Description:

0130F00038	AUX LIMIT - LT BLUE 120° (QTY 2)
0163F00017	BECKETT BURNER (QTY 2)
0271F00161	BLOWER SHELL & WHEEL ASSY (M3, M4)
0271F00159	BLOWER SHELL & WHEEL ASSY (M1, M2)
PCBBF145	CIRCUIT BOARD
0130F00010	FLAME SENSOR
0151M00037	GAS VALVE
0257F00360	HEAT EXCHANGER ASSY (M4)
0257F00359	HEAT EXCHANGER ASSY (M3)
0257F00358	HEAT EXCHANGER ASSY (M2)
0257F00285	HEAT EXCHANGER ASSY (M1)
0130F00008	IGNITOR-SINI 17 SEC
0130F00071	LIMIT SWITCH (M3)
20162903	LIMIT-BLUE (M4)
20162901	LIMIT-RED (M1, M2)
10123534	MANUAL RESET R.O.S. LIMIT (M3)
10123539	MANUAL RESET R.O.S. LIMIT (M4)
0130F00123	MANUAL RESET R.O.S. LIMIT (M1, M2)
0131F00112	MOTOR X-13, BLOWER 1/2 H.P. (M1, M2)
0131F00114	MOTOR X-13, BLOWER 1H.P. (M4)
0131F00113	MOTOR X-13, BLOWER 3/4 H.P. (M3)
0131F00133	MOTOR, PROGRAM-X13 (M4)
0131F00130	MOTOR, PROGRAM-X13 (M1)
0131F00131	MOTOR, PROGRAM-X13 (M2)
0131F00132	MOTOR, PROGRAM-X13 (M3)
0171M00001	MOTOR-ID, BLOWER
0130M00243	SWITCH, INTERLOCK
0130F00447	SWITCH, PRESSURE (M1)
0130F00439	SWITCH, PRESSURE (M2, M3, M4)
0130M00140	TRANSFORMER, 120V TO 24V,40VA

Expanded Model Nomenclature

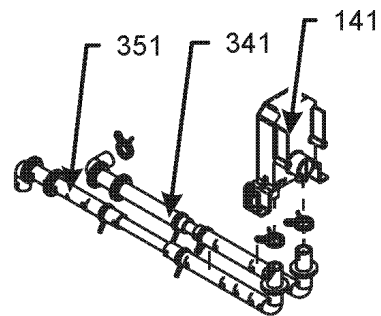
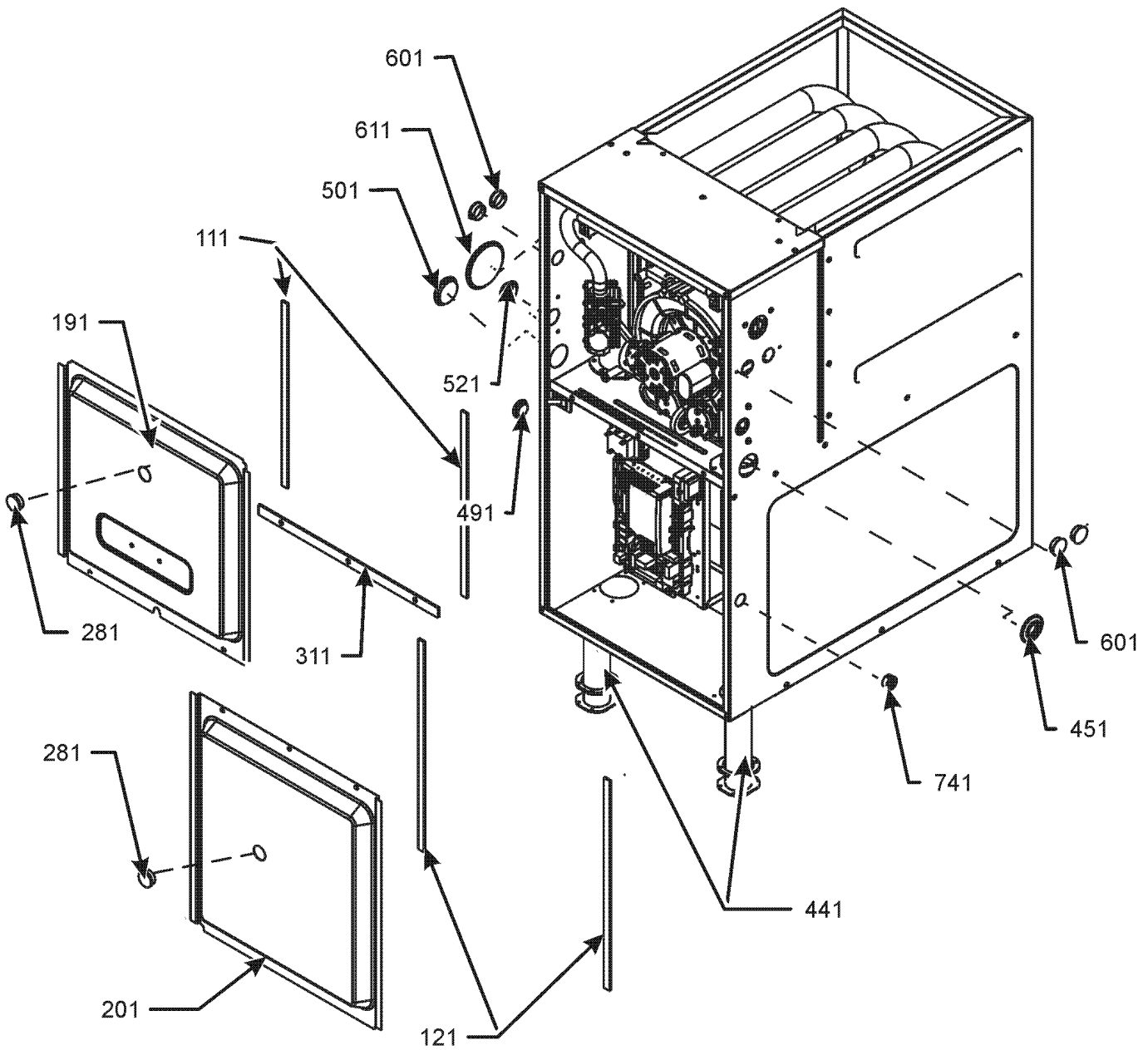
M1 - VCES960403BNAA

M2 - VCES960603BNAA

M3 - VCES960804CNAA

M4 - VCES961005CNAA

Cabinet Assembly



DRAIN TRAP ASSEMBLY

Cabinet Assembly

Ref. Part No:	Part No:	Description:	Ref. Part No:	Part No:	Description:
---------------	----------	--------------	---------------	----------	--------------

Image 1:

111	0154F00024	GASKET (QTY 2)			
121	0154F00025	GASKET (QTY 2)			
141	0161F00046	DRAIN TRAP			
191	0121F00291DB	DOOR, ACCESS 17.5 PNT (M1, M2)			
191	0121F00292DB	DOOR, ACCESS 21 PNT (M3, M4)			
201	0121F00288DB	DOOR, BLOWER 17.5 PNT (M1, M2)			
201	0121F00289DB	DOOR, BLOWER 21 PNT (M3, M4)			
281	B1392139	VIEW PORT BUSHING (QTY 2)			
311	0154F00020	DECK GASKET (M1, M2)			
311	0154F00021	DECK GASKET (M3, M4)			
341	0270F03125	CF DRAIN TUBE ASSY (M1, M2)			
341	0270F03515	CF DRAIN TUBE ASSY (M3, M4)			
351	0270F03126	CF DRAIN TUBE ASSY (M3, M4)			
351	0270F03514	CF DRAIN TUBE ASSY (M1, M2)			
441	0161F00064	PIPE, STRAIGHT CF (QTY 2)			
451	M0501301	PIPE GROMMET			
491	M0570808	BUTTON PLUG (M2, M3, M4)			
501	M0570806	BUTTON PLUG (M2, M3, M4)			
521	0161M00027	HOLE PLUG			
601	B1392021	PLASTIC PLUG, 1" (2713-BLK) (QTY 4)			
611	0163M00460	CLAMP-HOSE (QTY 2)			
741	B1392104	UNIVERSAL BUSHING UB 875			
NS	M0310345	BUTTON PLUG (QTY 2)			
NS	M0570807	BUTTON PLUG			
NS	M0209730	DECORATIVE SCREW (QTY 3)			
NS	0270F04116	DRAIN KIT ASSY CF			

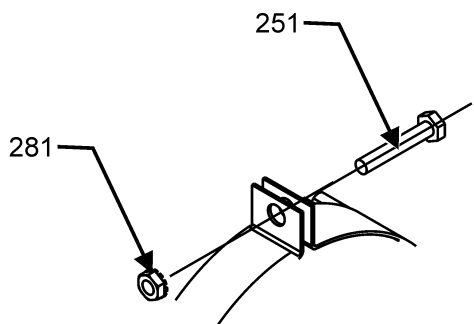
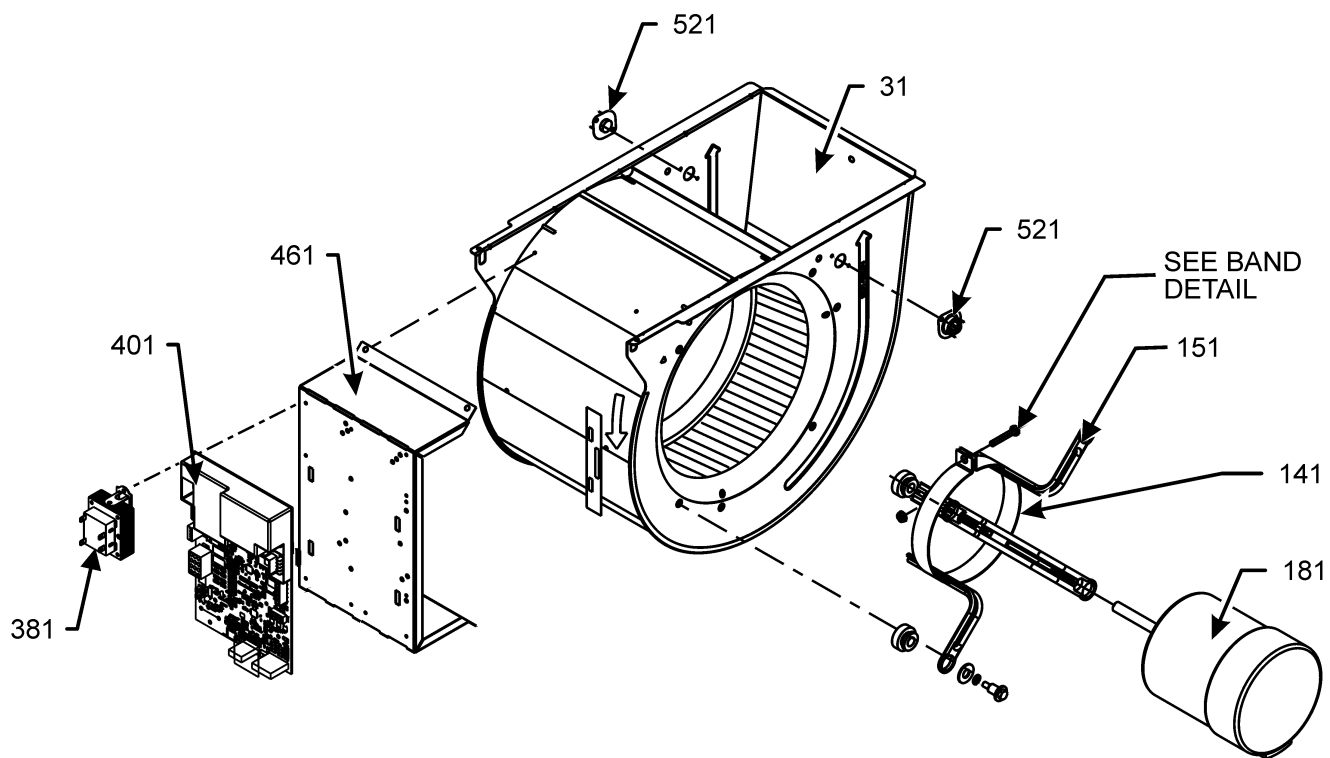
Expanded Model Nomenclature

M1 - VCES960403BNAA
M2 - VCES960603BNAA
M3 - VCES960804CNAA
M4 - VCES961005CNAA

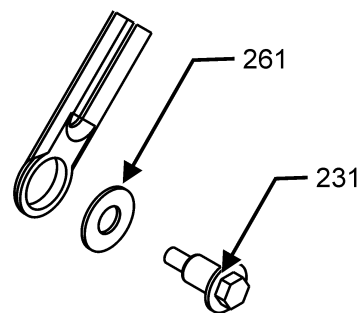
Blower Assembly

BLOWER ASSEMBLY

*If end bells are needed please order the following:
0131M00182 - 1/2 HP
0131M00183 - 3/4 HP
0131M00184 - 1 HP



BAND DETAIL



BLOWER ARM DETAIL

BLOWER ASSEMBLY MAY DIFFER FROM WHAT IS SHOWN

Blower Assembly

Ref. Part No:	Part No:	Description:	Ref. Part No:	Part No:	Description:
---------------	----------	--------------	---------------	----------	--------------

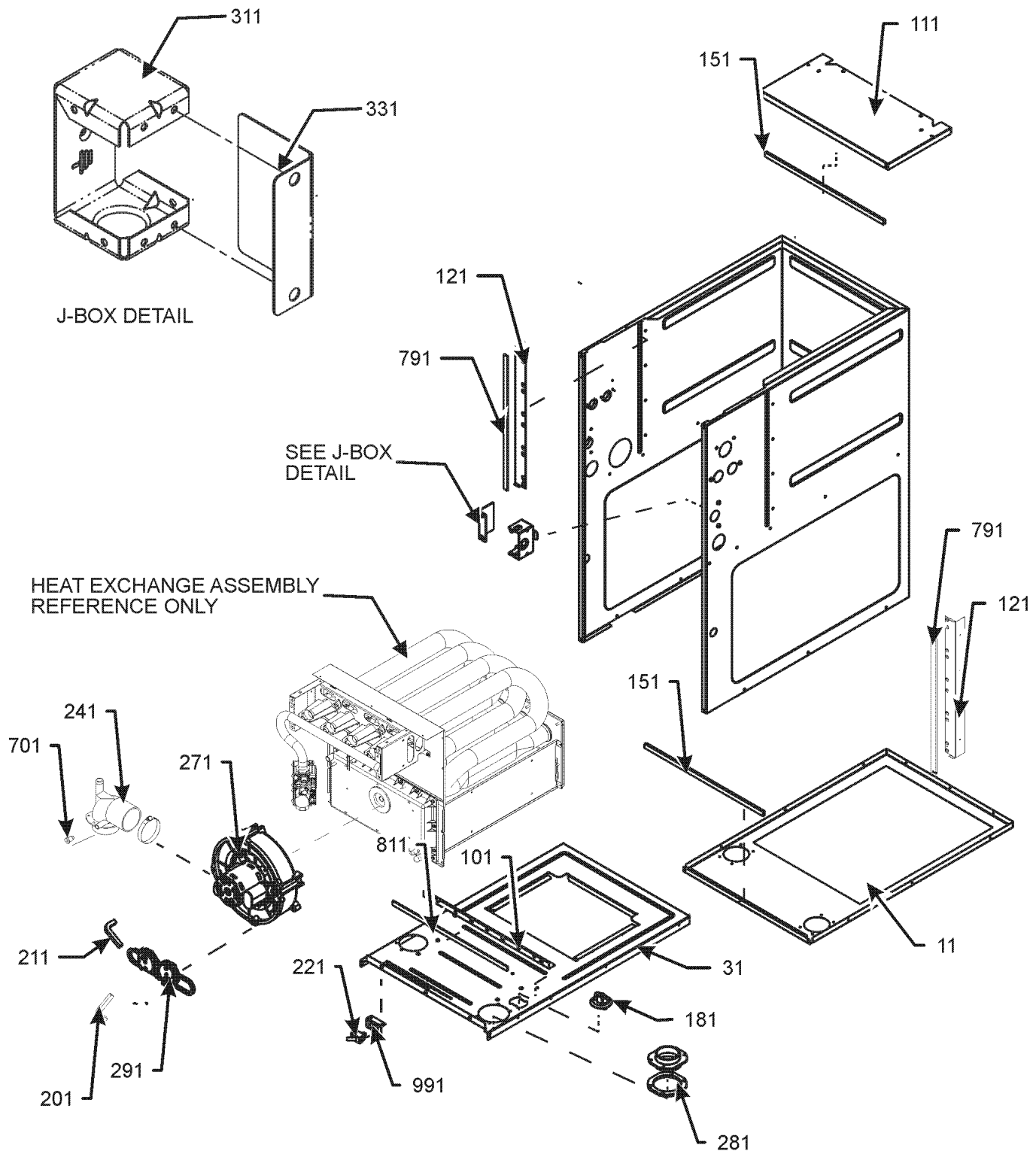
Image 1:

31	0271F00159	BLOWER SHELL & WHEEL ASSY (M1, M2)
31	0271F00161	BLOWER SHELL & WHEEL ASSY (M3, M4)
141	0121M00039	MOUNT BAND, MOTOR (HEAVY DUTY)
151	B1376863	MOUNT ARM, MOTOR (HEAVY DUTY) (QTY 3)
181	0131F00112	MOTOR X-13, BLOWER 1/2 H.P. (M1, M2)
181	0131F00114	MOTOR X-13, BLOWER 1H.P. (M4)
181	0131F00113	MOTOR X-13, BLOWER 3/4 H.P. (M3)
231	M0250565	TC SCREW 1.25" (QTY 3)
251	0163M00320	HEX HEAD ALL THREAD TAP BOLT
261	B1392918	FLAT WASHER (QTY 3)
281	B1393800	LOCKNUT, NYLON, INSERT 1/4, 20
381	0130M00140	TRANSFORMER, 120V TO 24V, 40VA
401	PCBBF145	CIRCUIT BOARD
461	0121F00464	CONTROL MOUNTING PLATE
521	0130F00038	AUX LIMIT - LT BLUE 120° (QTY 2)
NS	B1392021	1" PLASTIC PLUG (QTY 4)
NS	0259F00024	HARNESS - BLOWER
NS	0131F00130	MOTOR, PROGRAM-X13 (M1)
NS	0131F00131	MOTOR, PROGRAM-X13 (M2)
NS	0131F00132	MOTOR, PROGRAM-X13 (M3)
NS	0131F00133	MOTOR, PROGRAM-X13 (M4)
NS	0159F00076	WIRE HARNESS

Expanded Model Nomenclature

- | |
|---------------------|
| M1 - VCES960403BNAA |
| M2 - VCES960603BNAA |
| M3 - VCES960804CNAA |
| M4 - VCES961005CNAA |

Chassis Assembly



Chassis Assembly

Ref. Part No:	Part No:	Description:	Ref. Part No:	Part No:	Description:
---------------	----------	--------------	---------------	----------	--------------

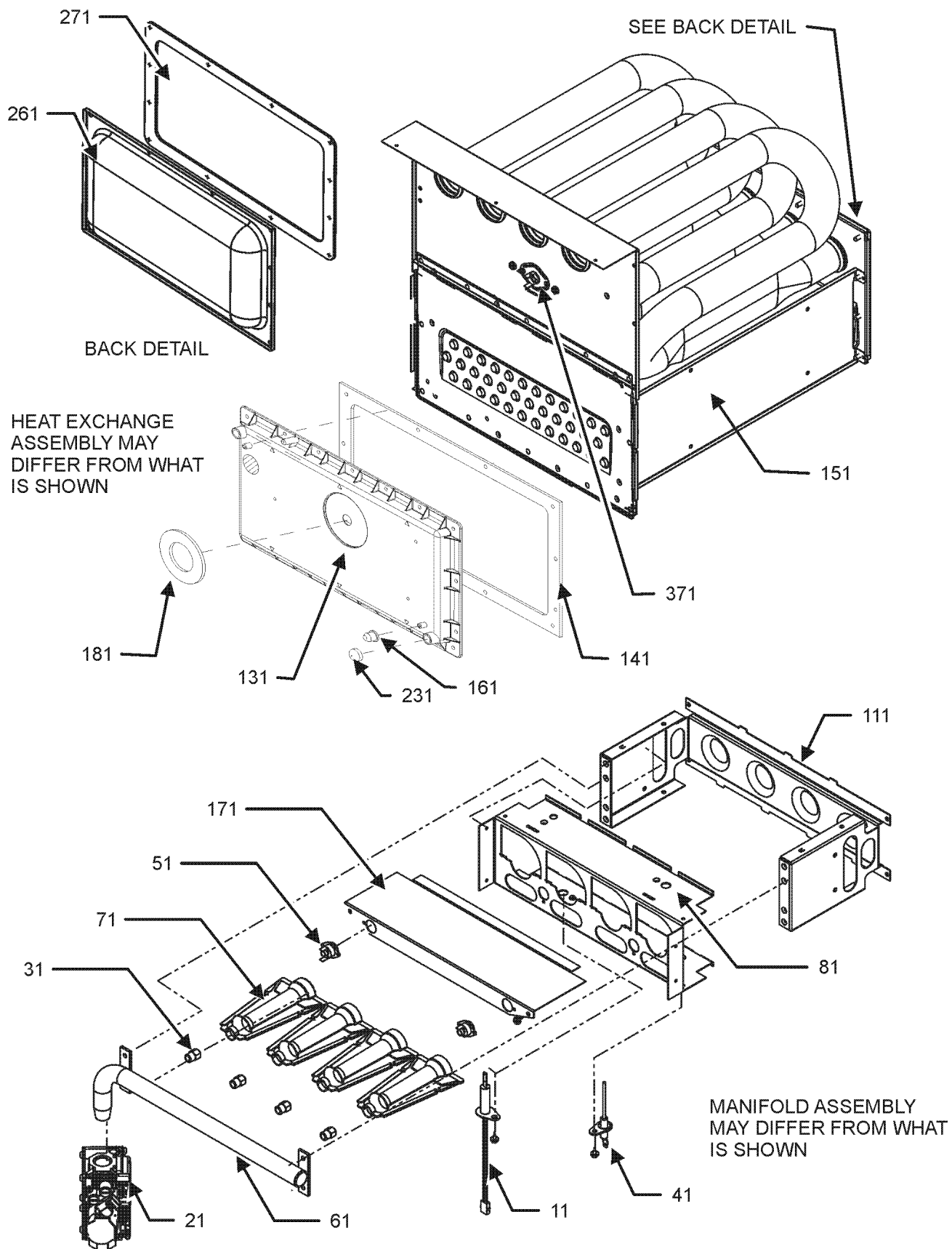
Image 1:

11	0121F00548DG	PAINTED BASEPAN, 17.5 CF (M1, M2)
11	0121F00549DG	PAINTED BASEPAN, 21 CF (M3, M4)
31	0121F00536	DECK-BLOWER 17.5" CF (M1, M2)
31	0121F00537	DECK-BLOWER 21" CF (M3, M4)
101	0121F00314	ANGLE, DECK (M1, M2)
101	0121F00315	ANGLE, DECK (M3, M4)
111	0121F00426DG	TOP, PAINTED FURNACE 17.5" CF (M1, M2)
111	0121F00434DG	TOP, PAINTED FURNACE 21" CF (M3, M4)
121	0121F00313	SIDE ANGLE (QTY 2)
151	20179309	GASKET (M1, M2)
151	20179310	GASKET (M3, M4)
181	0159F00086	HARNESS, WIRING
201	0164M00008	HOSE-PRESSURE SW
211	0164M00031	14" PRESSURE SWITCH HOSE (M3, M4)
211	0164M00015	HOSE-PRESSURE SWITCH (M1, M2)
221	0130M00243	SWITCH, INTERLOCK
241	0164F00003	ELBOW-FLUE, 17.5" CFLOW (M1, M2)
241	0164F00004	ELBOW-FLUE, 21" CFLOW (M3, M4)
271	0171M00001	MOTOR-ID, BLOWER
281	0161F00037	COUPLING
291	0130F00439	SWITCH, PRESSURE (M2, M3, M4)
291	0130F00447	SWITCH, PRESSURE (M1)
311	0161F00042	JUNCTION BOX
331	0161F00043	JUNCTION BOX LID
701	M0326804	TUBE PLUG
791	0154F00015	GASKET (QTY 2)
811	0154F00014	GASKET (M1, M2)
811	0154F00016	GASKET (M3, M4)
991	0121F00389	BRACKET, DOOR SWITCH
NS	0160F00015	INSULATION, HT EXCHANGER 17.5" (M1, M2)
NS	0160F00016	INSULATION, HT EXCHANGER 21" (M3, M4)

Expanded Model Nomenclature

M1 - VCES960403BNAA
M2 - VCES960603BNAA
M3 - VCES960804CNAA
M4 - VCES961005CNAA

Heat Exchange and Manifold Assembly



Heat Exchange and Manifold Assembly

Ref. Part No:	Ref. Part No:	Description:	Description:
Image 1:			
11	0130F00008	IGNITOR-SINI 17 SEC	
21	0151M00037	GAS VALVE	
31	10716005	ORIFICE (QTY 2)	
41	0130F00010	FLAME SENSOR	
51	0130F00123	MANUAL RESET R.O.S. LIMIT (M1, M2)	
51	10123534	MANUAL RESET R.O.S. LIMIT (M3)	
51	10123539	MANUAL RESET R.O.S. LIMIT (M4)	
61	0163F00007	MANIFOLD (M1)	
61	0163F00008	MANIFOLD (M2)	
61	0163F00009	MANIFOLD (M3)	
61	0163F00010	MANIFOLD (M4)	
71	0163F00017	BECKETT BURNER (QTY 2)	
81	0121F00456	BRACKET-BURNER 2 (M1)	
81	0121F00455	BRACKET-BURNER 3 (M2)	
81	0121F00454	BRACKET-BURNER 4 (M3)	
81	0121F00453	BRACKET-BURNER 5 (M4)	
111	0121F00469	ORIFICE BRACKET-BURNER 2 (M1)	
111	0121F00468	ORIFICE BRACKET-BURNER 3 (M2)	
111	0121F00467	ORIFICE BRACKET-BURNER 4 (M3)	
111	0121F00466	ORIFICE BRACKET-BURNER 5 (M4)	
131	0161F00030	COVER, FRONT (M3)	
131	0161F00053	COVER, FRONT (M1)	
131	0161F00054	COVER, FRONT (M2)	
131	0161F00060	COVER, FRONT (M4)	
141	0154F00026	GASKET FRONT COVER (M1, M2)	
141	0154F00030	GASKET FRONT COVER (M3, M4)	
151	0257F00285	HEAT EXCHANGER ASSY (M1)	
151	0257F00358	HEAT EXCHANGER ASSY (M2)	
151	0257F00359	HEAT EXCHANGER ASSY (M3)	
151	0257F00360	HEAT EXCHANGER ASSY (M4)	
161	M0326804	TUBE PLUG	
171	0121F00539	SHEILD, BURNER (M1)	
171	0121F00540	SHEILD, BURNER (M2)	
171	0121F00541	SHEILD, BURNER (M3)	
171	0121F00542	SHEILD, BURNER (M4)	
181	0154F00043	GASKET ID BLOWER	
231	A1781105	CAP-VINYL .500	
261	0121F00317	REAR COVER (M1, M2)	
261	0121F00318	REAR COVER (M3, M4)	
271	0154F00037	REAR COVER GASKET (M1, M2)	
271	0154F00038	REAR COVER GASKET (M3, M4)	
371	0130F00071	LIMIT SWITCH (M3)	
371	20162903	LIMIT-BLUE (M4)	
371	20162901	LIMIT-RED (M1, M2)	
NS	0121F00583	INSULATION, RETAINER (M1, M2)	
NS	0121F00584	INSULATION, RETAINER (M3, M4)	
NS	0121F00439	PRIMARY LIMIT-HEAT SHIELD	
NS	0121F00355	SHIELD, COIL (QTY 2)	

Expanded Model Nomenclature

M1 - VCES960403BNAA
M2 - VCES960603BNAA
M3 - VCES960804CNAA
M4 - VCES961005CNAA