



# REPAIR PARTS

---

## GSXC16 SEER 2-Stage Remote Condensing Unit

GSXC160241CA  
GSXC160241CB  
GSXC160361CA  
GSXC160361CB  
GSXC160361CC  
GSXC160481CA  
GSXC160481CB  
GSXC160481CC  
GSXC160601CA  
GSXC160601CB



This manual is to be used by qualified technicians only.

This manual replaces RP-G4318A.

© 2017 - 2019 Goodman Manufacturing Company, L.P. ♦ 5151 San Felipe St, Suite 500 ♦ Houston, TX 77056

# Important Information

---

## Index

Functional Parts List .....	3
Illustration and Parts .....	4 - 9

*Views shown are for parts illustrations only, not servicing procedures.*

### Text Codes:

AR - As Required

NA - Not Available

NS - Not Shown

00000000 - See Note

QTY - Quantity Example (QTY 3) (If Quantity not shown, Quantity = 1)

M - Model Example (M1) (If M Code not shown, then part is used on all Models)

### Expanded Model Nomenclature:

Example M1 - Model#1 M2 - Model#2 M3 - Model#3
---

Goodman Manufacturing Company, L.P. is not responsible for personal injury or property damage resulting from improper service. Review all service information before beginning repairs.

Warranty service must be performed by an authorized technician, using authorized factory parts. If service is required after the warranty expires, Goodman Manufacturing Company, L.P. also recommends contacting an authorized technician and using authorized factory parts.

Goodman Manufacturing Company, L.P. reserves the right to discontinue, or change at any time, specifications or designs without notice or without incurring obligations.

For assistance within the U.S.A. contact:  
Homeowner Support  
Goodman Manufacturing Company, L.P.  
19001 Kermier Road  
Waller, Texas 77484  
877-254-4729-Telephone  
713-863-2382-Facsimile

For assistance outside the U.S.A. contact:  
International Division  
Goodman Manufacturing Company, L.P.  
19001 Kermier Road  
Waller, Texas 77484  
713-861-2500-Telephone  
713-863-2382-Facsimile

# Functional Parts

## Part

## No: Description:

---

0151R00079	BASE VALVE 3/4" (M1, M2, M3, M4, M5)
0151R00167	BASE VALVE 3/8" (M6, M7, M8, M9, M10)
0151R00080	BASE VALVE 7/8" (M6, M7, M8, M9, M10)
CAP050350440CS	CAPACITOR 5/35/440V (M1, M2, M6, M7, M8)
CAP050400440CT	CAPACITOR 5/40/440V/DUAL RD (M3, M4, M5)
CAP050450440CT	CAPACITOR 5/45/440V/DUAL RD (M9, M10)
ZPS49K6EPFV130	COMP 49000,208/230/60/1 (M9, M10)
ZPS19K6EPFV130	COMP, 19000,208/230/60/1 (M1, M2)
ZPS29K6EPFV130	COMP, 29000,208/230/60/1 (M3, M4, M5)
ZPS40K6EPFV130	COMP, 40000,208/230/60/1 (M6, M7, M8)
0130R00003	CUT-OUT SWITCH, HIGH PRESSURE
0163R00007	HEATER, CRANKCASE 230V, 40W (M6, M7, M8, M9, M10)
0130M00086	LOW PRESSURE SWITCH
0131M00295	MOTOR 1/6 HP 2SP 8PL (M3, M4, M6, M7)
0131M00866	MOTOR, 1/5 HP, 2SP, 8PL (M5, M8)
0131M00117	MOTOR, 1/6HP, 2SP, 8PL (M1, M2)
0131M00804	MOTOR, ECM (M9, M10)
0130M00054	OUTDOOR AIR TEMP SENSOR
PCBGR104	PCB, CONTROL (M2, M4, M5, M7, M8, M10)
PCBGR103	PCB, CONTROL, 2 STG, AC (M1, M3, M6, M9)
0130R00120	SHARED DATA (M10)
0130R00119	SHARED DATA (M7, M8)
0130R00118	SHARED DATA (M4, M5)
0130R00117	SHARED DATA (M2)
0130R00088	SHARED DATA (M9)
0130R00085	SHARED DATA (M6)
0130R00082	SHARED DATA (M3)
0130R00079	SHARED DATA (M1)
0130M00138	TRANSFORMER (M2, M4, M5, M7, M8, M10)

## SPECIAL PARTS

0161R00088	CAP, GRILL
0161R00092	NAMEPLATE, GOODMAN

## Expanded Model Nomenclature

M1 - GSXC160241CA
M2 - GSXC160241CB
M3 - GSXC160361CA
M4 - GSXC160361CB
M5 - GSXC160361CC
M6 - GSXC160481CA
M7 - GSXC160481CB
M8 - GSXC160481CC
M9 - GSXC160601CA
M10 - GSXC160601CB

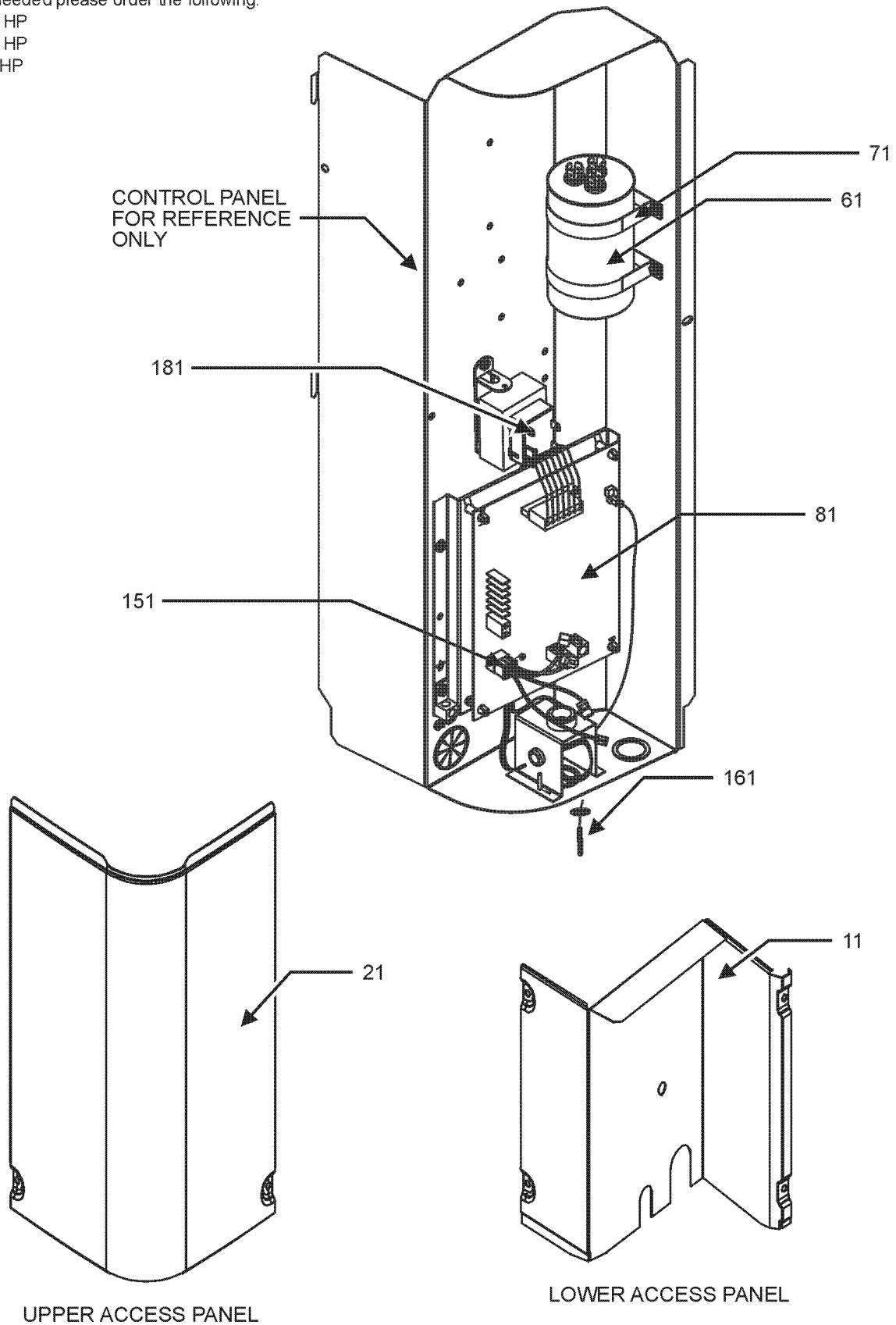
# Control Box Assembly

\*If end bells are needed please order the following:

0131M00182 - 1/2 HP

0131M00183 - 3/4 HP

0131M00184 - 1 HP



# Control Box Assembly

Ref. Part No: No:	Description:	Ref. Part No: No:	Description:
-------------------	--------------	-------------------	--------------

**Image 1:**

11	0121R00315PDG	LOWER ACCESS PANEL (M3, M4, M5)
11	0121R00625PDG	LOWER ACCESS PANEL (M6, M7, M8)
11	0121R00662PDG	LOWER ACCESS PANEL (M9, M10)
11	0121R00663PDG	LOWER ACCESS PANEL (M1, M2)
21	0121R00053PDG	CONTROL COVER (M1, M2, M6, M7, M8)
21	0121R00054PDG	CONTROL COVER (M3, M4, M5, M9, M10)
61	CAP050350440CS	CAPACITOR 5/35/440V (M1, M2, M6, M7, M8)
61	CAP050400440CT	CAPACITOR 5/40/440V/DUAL RD (M3, M4, M5)
61	CAP050450440CT	CAPACITOR 5/45/440V/DUAL RD (M9, M10)
71	0121R00213	CAPACITOR STRAP (QTY 2)
81	PCBGR104	PCB, CONTROL (M2, M4, M5, M7, M8, M10)
81	PCBGR103	PCB, CONTROL, 2 STG, AC (M1, M3, M6, M9)
151	0159R00011	WIRE ASSEMBLY, ECM MOTOR (M9, M10)
151	0159R00010	WIRE ASSEMBLY, PSC MOTOR (M1, M2, M3, M4, M5, M6, M7, M8)
161	0130M00054	OUTDOOR AIR TEMP SENSOR
181	0130M00138	TRANSFORMER (M2, M4, M5, M7, M8, M10)
NS	0161R00092	NAMEPLATE, GOODMAN
NS	0130R00079	SHARED DATA (M1)
NS	0130R00082	SHARED DATA (M3)
NS	0130R00085	SHARED DATA (M6)
NS	0130R00088	SHARED DATA (M9)
NS	0130R00117	SHARED DATA (M2)
NS	0130R00118	SHARED DATA (M4, M5)
NS	0130R00119	SHARED DATA (M7, M8)
NS	0130R00120	SHARED DATA (M10)

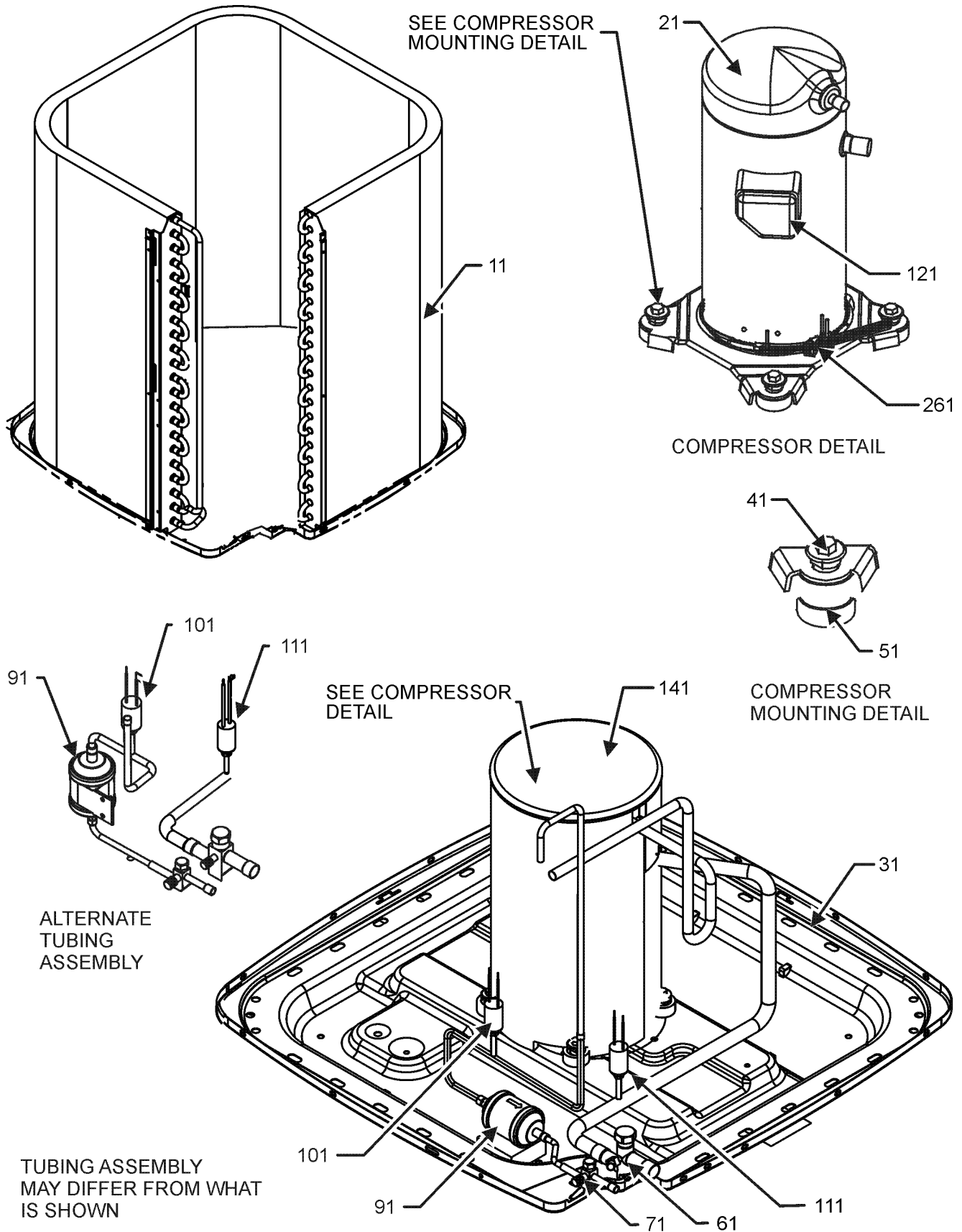
**Expanded Model Nomenclature**

M1 - GSXC160241CA
M2 - GSXC160241CB
M3 - GSXC160361CA
M4 - GSXC160361CB
M5 - GSXC160361CC
M6 - GSXC160481CA
M7 - GSXC160481CB
M8 - GSXC160481CC
M9 - GSXC160601CA
M10 - GSXC160601CB

\*If end bells are needed please order the following:

0131M00182 - 1/2 HP  
 0131M00183 - 3/4 HP  
 0131M00184 - 1 HP

# Compressor and Tubing Assembly



# Compressor and Tubing Assembly

Ref. Part No:	Ref. Part No:	Description:	Description:
---------------	---------------	--------------	--------------

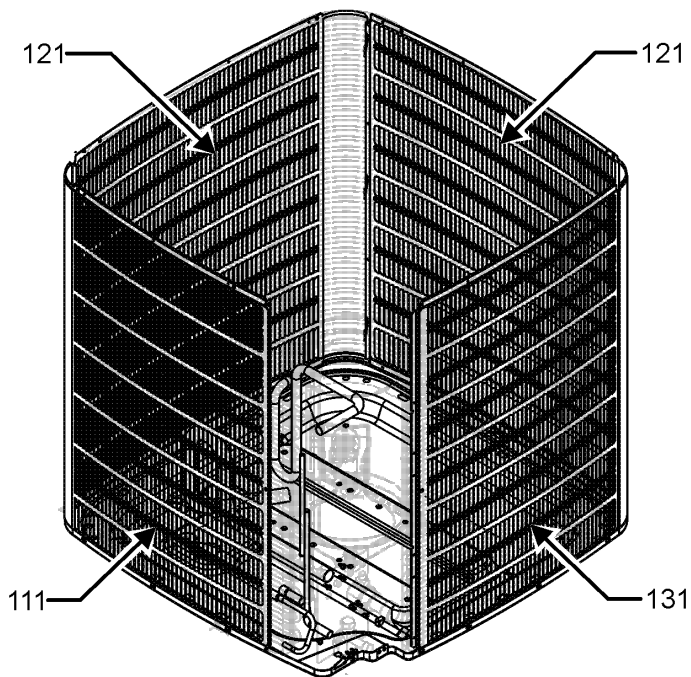
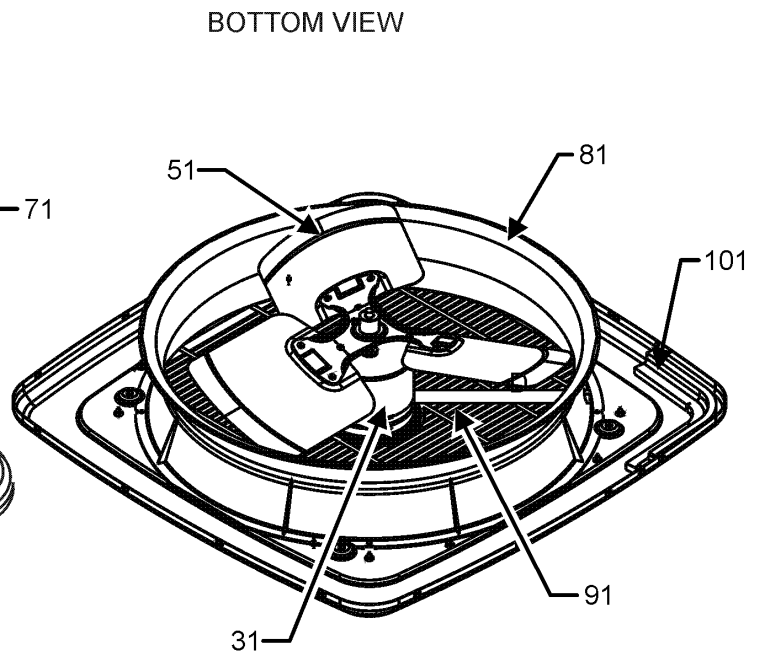
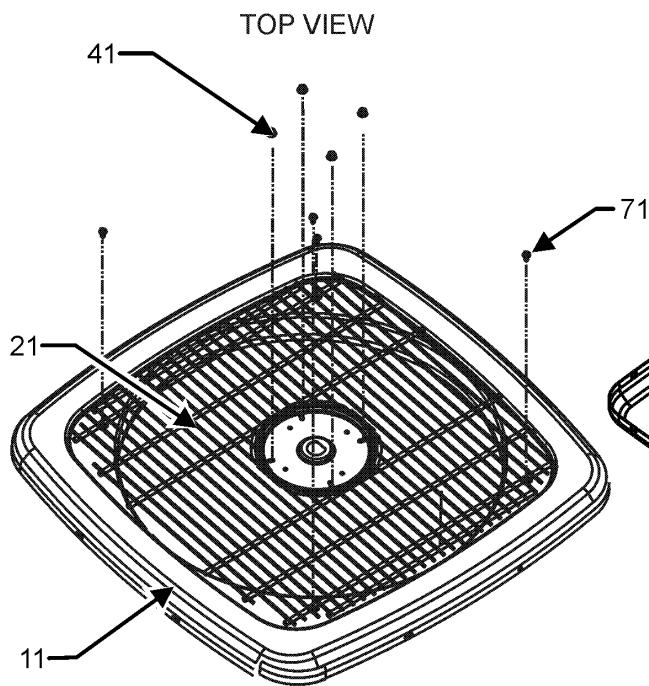
**Image 1:**

11	0201R00296	COIL TUBING ASSY (M1, M2)
11	0201R00311	COIL TUBING ASSY (M3, M4, M5)
11	0201R00692	COIL TUBING ASSY (M9, M10)
11	0201R00697	COIL TUBING ASSY (M6, M7, M8)
21	ZPS49K6EPFV130	COMP 49000,208/230/60/1 (M9, M10)
21	ZPS19K6EPFV130	COMP, 19000,208/230/60/1 (M1, M2)
21	ZPS29K6EPFV130	COMP, 29000,208/230/60/1 (M3, M4, M5)
21	ZPS40K6EPFV130	COMP, 40000,208/230/60/1 (M6, M7, M8)
31	0121R00007PDG	BASE PAN 35" (M3, M4, M5, M6, M7, M8, M9, M10)
31	0121R00006PDG	BASE PAN, 29" PNT (M1, M2)
41	M0221641	TF SHOULDER SCREW (QTY 4)
51	B1339533	GROMMET, COMPRESSOR (SCROLL & (QTY 4)
61	0151R00079	BASE VALVE 3/4" (M1, M2, M3, M4, M5)
61	0151R00080	BASE VALVE 7/8" (M6, M7, M8, M9, M10)
71	0151R00167	BASE VALVE 3/8" (M6, M7, M8, M9, M10)
91	0162R00009	FILTER DRIER
101	0130R00003	CUT-OUT SWITCH, HIGH PRESSURE
111	0130M00086	LOW PRESSURE SWITCH
121	0159R00001P	COMPRESSOR SCROLL HARNESS (M1, M2)
121	0159R00009	COMPRESSOR SCROLL HARNESS (M3, M4, M5, M6, M7, M8, M9, M10)
141	B1488806	COMPRESSOR SOUND BLANKET (M6, M7, M8, M9, M10)
141	B1488810	COMPRESSOR SOUND BLANKET (M1, M2, M3, M4, M5)
261	0163R00007	HEATER, CRANKCASE 230V, 40W (M6, M7, M8, M9, M10)
NS	0130M00005P	WIRE HARNESS, COMPR SOLENOID

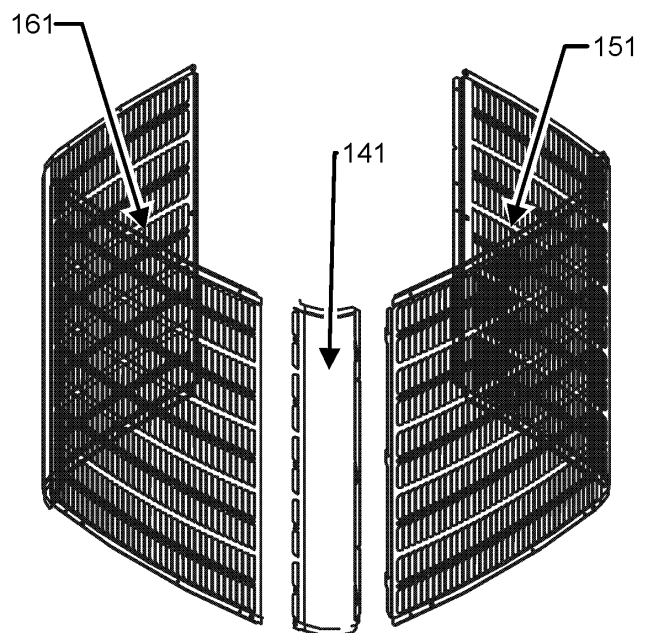
**Expanded Model Nomenclature**

- |                    |
|--------------------|
| M1 - GSXC160241CA  |
| M2 - GSXC160241CB  |
| M3 - GSXC160361CA  |
| M4 - GSXC160361CB  |
| M5 - GSXC160361CC  |
| M6 - GSXC160481CA  |
| M7 - GSXC160481CB  |
| M8 - GSXC160481CC  |
| M9 - GSXC160601CA  |
| M10 - GSXC160601CB |

# Top and Louver Side Panel Assembly



LOUVER PANEL ASSEMBLY  
STYLE 1



LOUVER PANEL ASSEMBLY  
STYLE 2



# Top and Louver Side Panel Assembly

Ref. Part No:	Part No:	Description:	Ref. Part No:	Part No:	Description:
---------------	----------	--------------	---------------	----------	--------------

**Image 1:**

11	0121R00577PDG	TOP PANEL, GRILL/VENTURI MNT (M3, M4, M5, M6, M7, M8, M9, M10)
11	0121R00011PDG	VENTURI TOP PANEL 29" (M1, M2)
21	0152R00019	GRILL, WIRE 35" TOP (M9, M10)
21	0152R00015	GRILLE, WIRE 29" TOP (M1, M2)
21	0152R00016	GRILLE, WIRE 35" TOP (M3, M4, M5, M6, M7, M8)
31	0131M00295	MOTOR 1/6 HP 2SP 8PL (M3, M4, M6, M7)
31	0131M00866	MOTOR, 1/5 HP, 2SP, 8PL (M5, M8)
31	0131M00117	MOTOR, 1/6HP, 2SP, 8PL (M1, M2)
31	0131M00804	MOTOR, ECM (M9, M10)
41	M0280801	HEX NUT (QTY 4)
51	0150M00008	FAN BLADE 22" TNT2203-25 (M1, M2)
51	0150M00054	FAN BLADE, 26" (M3, M4, M5, M6, M7, M8, M9,
71	0163M00003P	SCREW #10 X 1/2, A, SLOT, SR, BLACK (QTY 6)
81	0161R00049	VENTURI 26" MOLDED RING (M3, M4, M5, M6, M7, M8, M9, M10)
91	0161R00069	CONDUIT (M1, M2)
91	0161R00070	CONDUIT (M3, M4, M5, M6, M7, M8)
91	0163M00385	CONDUIT, FLEXIBLE (M9, M10)
101	0154R00006	GASKET, CONTROL PANEL
111	0121R00228PDG	LOUVERED SIDE PANEL [LT OF CNTL PNL] (M3, M4, M5)
111	0121R00592PDG	PANEL 1, BENT LOUVER 35_34.64 (M6, M7, M8)
111	0121R00593PDG	PANEL 1, BENT LOUVER 35_39.84 (M9, M10)
121	0121R00231PDG	LOUVERED SIDE PANEL (M3, M4, M5)
121	0121R00594PDG	PANEL 2, BENT LOUVER 35_34.64 (M6, M7, M8)
121	0121R00595PDG	PANEL 2, BENT LOUVER 35_39.84 (M9, M10)
131	0121R00234PDG	LOUVERED SIDE PANEL [RT OF CNTL PNL] (M3, M4, M5)
131	0121R00596PDG	PANEL 3, LOUVER 35_34.64 PNT (M6, M7, M8)
131	0121R00597PDG	PANEL 3, LOUVER 35_39.84 PNT (M9, M10)
141	0121R00350PDG	Louver Post, PDG 28.73 (M1, M2)
151	0121R00342PDGRS	Louver Panel, PDG 29"_28.73 (M1, M2)
161	0121R00342PDGLS	Louver Panel, PDG 29"_28.73 (M1, M2)
NS	0161R00088	CAP, GRILL

**Expanded Model Nomenclature**

- |                    |
|--------------------|
| M1 - GSXC160241CA  |
| M2 - GSXC160241CB  |
| M3 - GSXC160361CA  |
| M4 - GSXC160361CB  |
| M5 - GSXC160361CC  |
| M6 - GSXC160481CA  |
| M7 - GSXC160481CB  |
| M8 - GSXC160481CC  |
| M9 - GSXC160601CA  |
| M10 - GSXC160601CB |