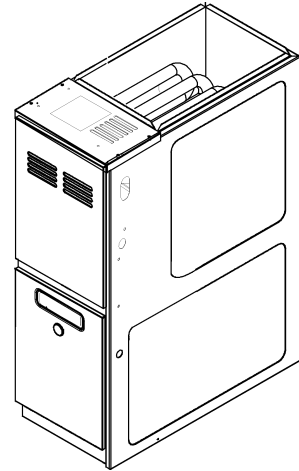

GMES 80% High Efficient Furnace

GMES800403ANAA
GMES800403AXAA
GMES800603ANAA
GMES800603AXAA
GMES800603BNAA
GMES800603BXAA
GMES800604BNAA
GMES800604BXAA
GMES800803BNAA
GMES800803BXAA
GMES800804BNAA
GMES800804BXAA
GMES800804CNAA
GMES800804CXAA
GMES800805CNAA
GMES800805CXAA
GMES801005CNAA
GMES801005CXAA
GMES801205DNAA



This manual is to be used by qualified technicians only.

© 2019 Goodman Manufacturing Company, L.P. ♦ 5151 San Felipe St, Suite 500 ♦ Houston, TX 77056

Important Information

Index

Functional Parts List	3
Illustration and Parts	4 - 9

Views shown are for parts illustrations only, not servicing procedures

Text Codes:

AR - As Required

NA - Not Available

NS - Not Shown

00000000 - See Note

QTY - Quantity Example (QTY 3) (If Quantity not shown, Quantity = 1)

M - Model Example (M1) (If M Code not shown, then part is used on all Models)

Expanded Model Nomenclature:

Example M1 - Model#1 M2 - Model#2 M3 - Model#3

Goodman Manufacturing Company, L.P. is not responsible for personal injury or property damage resulting from improper service. Review all service information before beginning repairs.

Warranty service must be performed by an authorized technician, using authorized factory parts. If service is required after the warranty expires, Goodman Manufacturing Company, L.P. also recommends contacting an authorized technician and using authorized factory parts.

Goodman Manufacturing Company, L.P. reserves the right to discontinue, or change at any time, specifications or designs without notice or without incurring obligations.

For assistance within the U.S.A. contact:
Homeowner Support
Goodman Manufacturing Company, L.P.
19001 Kermier Road
Waller, Texas 77484
877-254-4729-Telephone
713-863-2382-Facsimile

For assistance outside the U.S.A. contact:
International Division
Goodman Manufacturing Company, L.P.
19001 Kermier Road
Waller, Texas 77484
713-861-2500-Telephone
713-863-2382-Facsimile

Functional Parts

Part

No: Description:

20162904 *PRIMARY LIMIT-TEMPERATURE CONTROL (M3, M4, M5, M6, M7, M8, M9, M10, M11, M12, M17, M18)
 *Refer to service bulletin SF-054
 0130F00038 AUX LIMIT - LT BLUE 120°
 B1368034 BLOWER WHEEL 10 X 6 (M1, M2, M3, M4)
 PCBBF145 CIRCUIT BOARD
 0130F00010 FLAME SENSOR
 0151M00037 GAS VALVE
 10690402 INTERLOCK SWITCH
 20162903 LIMIT (M13, M14, M15, M16, M19)
 20162901 LIMIT (M1, M2)
 10123529 MANUAL RESET R.O.S. LIMIT (QTY 2)

Expanded Model Nomenclature

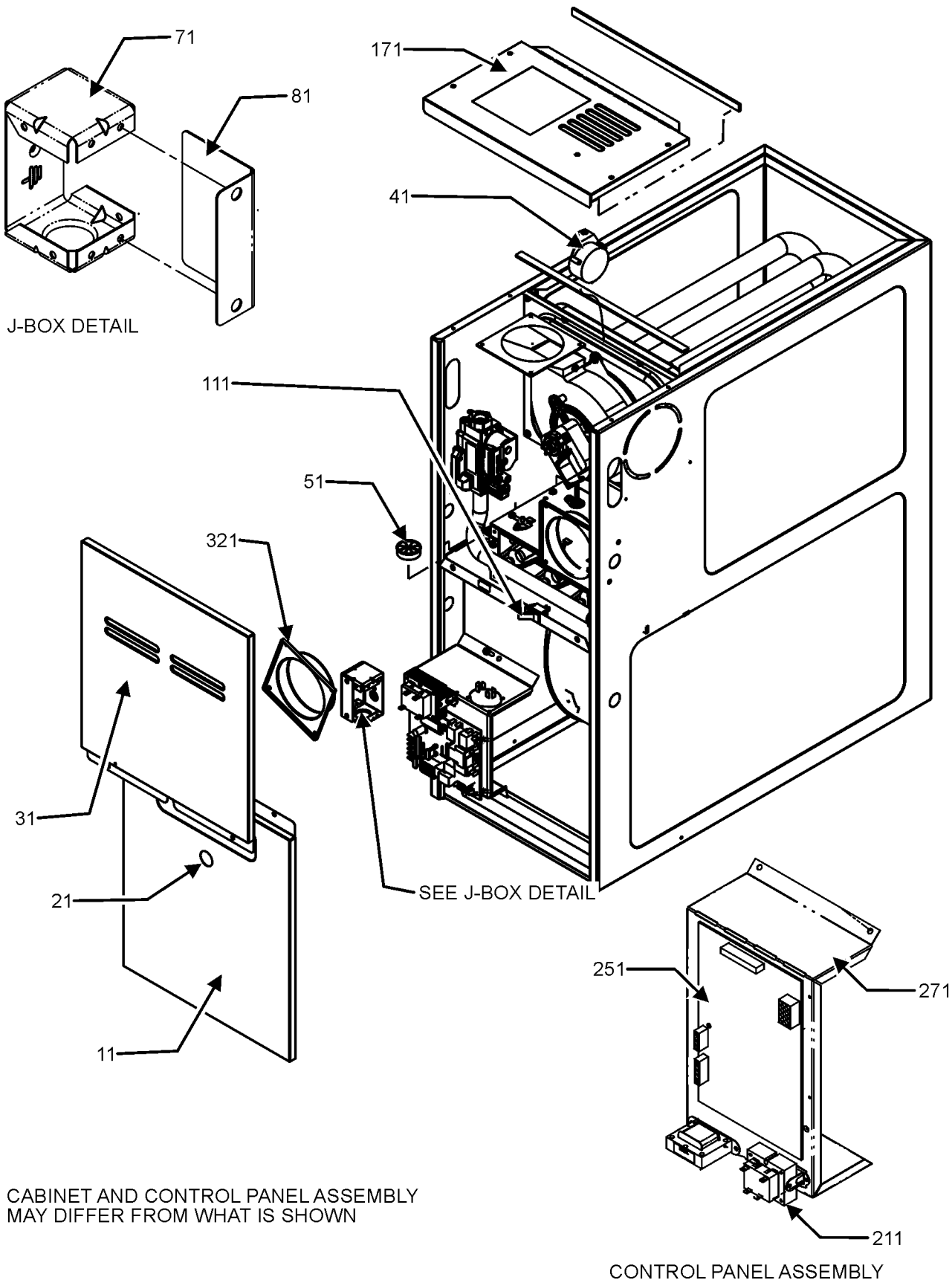
M1 - GMES800403ANAA
 M2 - GMES800403AXAA
 M3 - GMES800603ANAA
 M4 - GMES800603AXAA
 M5 - GMES800603BNAA
 M6 - GMES800603BXAA
 M7 - GMES800604BNAA
 M8 - GMES800604BXAA
 M9 - GMES800803BNAA
 M10 - GMES800803BXAA
 M11 - GMES800804BNAA
 M12 - GMES800804BXAA
 M13 - GMES800804CNAA
 M14 - GMES800804CXAA
 M15 - GMES800805CNAA
 M16 - GMES800805CXAA
 M17 - GMES801005CNAA
 M18 - GMES801005CXAA
 M19 - GMES801205DNAA

0131F00122 MOTOR, PROGRAM-X13 (M5, M6)
 0131F00121 MOTOR, PROGRAM-X13 (M3, M4)
 0131F00126 MOTOR, PROGRAM-X13 (M13, M14) MOTOR,
 0131F00129 PROGRAM-X13 (M19)
 0131F00120 MOTOR, PROGRAM-X13 (M1, M2)
 0131F00127 MOTOR, PROGRAM-X13 (M15, M16)
 0131F00125 MOTOR, PROGRAM-X13 (M11, M12)
 0131F00124 MOTOR, PROGRAM-X13 (M9, M10)
 0131F00123 MOTOR, PROGRAM-X13 (M7, M8)
 0131F00128 MOTOR, PROGRAM-X13 (M17, M18) MOTOR,
 0131M00002P VENT 80+
 0130F00008 SINI IGNITOR
 0130F00505 SWITCH, PRESSURE (M1, M2, M9, M10, M11, M12, M17, M18)
 0130F00507 SWITCH, PRESSURE (M19)
 0130F00506 SWITCH, PRESSURE (M3, M4, M5, M6, M7, M8, M13, M14, M15, M16)
 0130M00140 TRANSFORMER,(120V TO 24V,40VA,
 0150M00042 WHEEL, BLOWER (10 X 10) (M13, M14, M15, M16, M17, M18)
 0150M00043 WHEEL, BLOWER (10 X 8) (M5, M6, M7, M8, M9, M10, M11, M12)
 0150M00043 WHEEL, BLOWER (10 X 8) (M5, M6, M7, M8, M9, M10, M11, M12)

SPECIAL PARTS

0161F00007 NAMEPLATE, GOODMAN

Cabinet Assembly



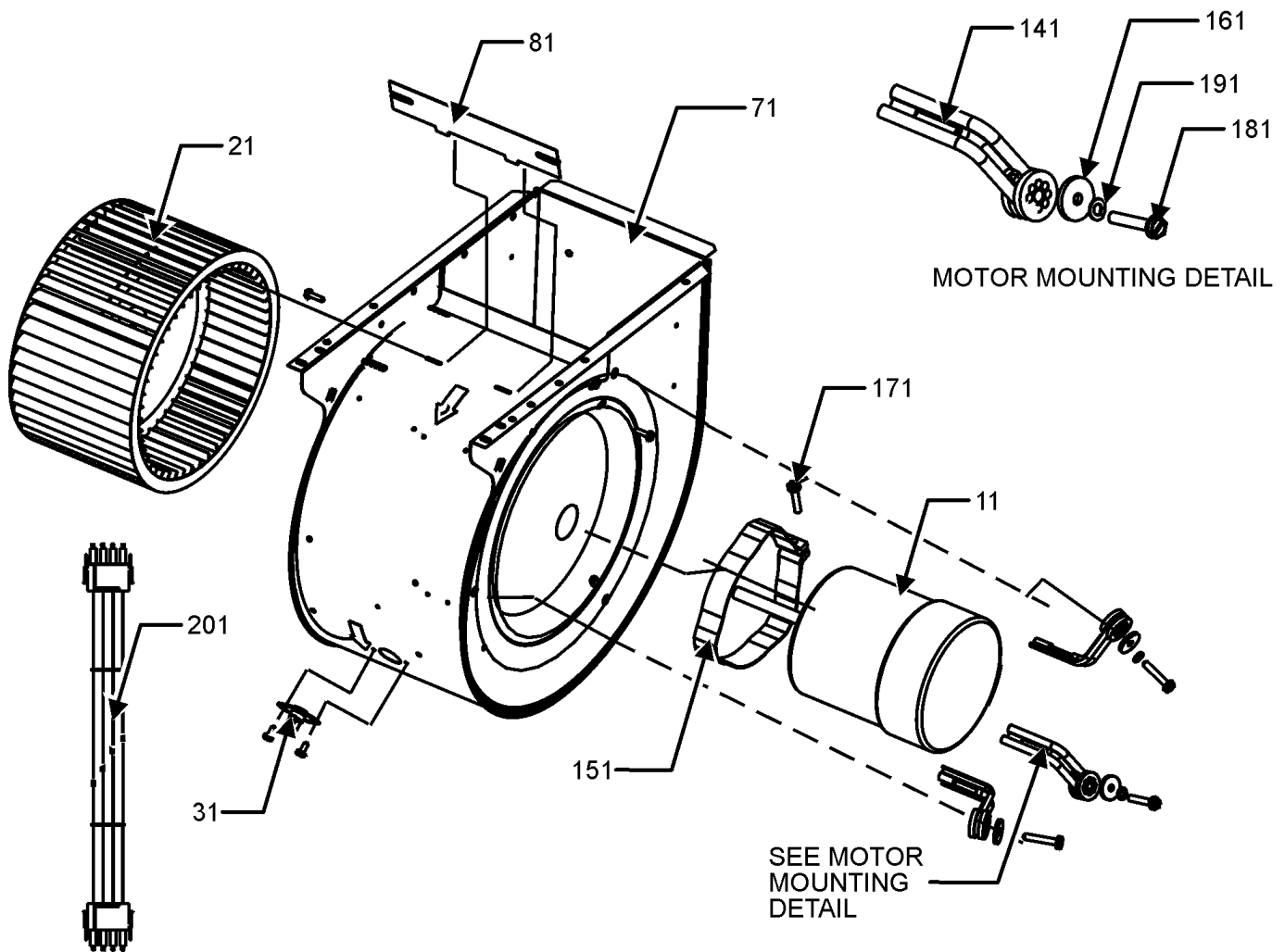
CABINET AND CONTROL PANEL ASSEMBLY
MAY DIFFER FROM WHAT IS SHOWN

Cabinet Assembly

Ref. Part No:	Description:	Ref. Part No:	Description:
Image 1:		Expanded Model Nomenclature	
11	0121F00122DG DOOR, BLOWER, 14"-PAINTED (M1, M2, M3, M4)	M1	- GMES800403ANAA
11	0121F00123DG DOOR, BLOWER, 17.5"-PAINTED (M5, M6, M7, M8, M9, M10, M11, M12)	M2	- GMES800403AXAA
11	0121F00124DG DOOR, BLOWER, 21"-PAINTED (M13, M14, M15, M16, M17, M18)	M3	- GMES800603ANAA
11	0121F00125DG DOOR, BLOWER, 24.5"-PAINTED (M19)	M4	- GMES800603AXAA
21	B1392139 VIEW PORT BUSHING-BLOWER DOOR	M5	- GMES800603BNAA
31	0121F00118DG DOOR CTRL ACCESS, 14"-PAINTED (M1, M2, M3, M4)	M6	- GMES800603BXAA
31	0121F00120DG DOOR CTRL ACCESS, 21"-PAINTED (M13, M14, M15, M16, M17, M18)	M7	- GMES800604BNAA
31	0121F00119DG DOOR CTRL ACCESS, 17.5"-PAINTED (M5, M6, M7, M8, M9, M10, M11, M12)	M8	- GMES800604BXAA
31	0121F00121DG DOOR CTRL ACCESS, 24.5"-PAINTED (M19)	M9	- GMES800803BNAA
41	0130F00505 SWITCH, PRESSURE (M1, M2, M9, M10, M11, M12, M17, M18)	M10	- GMES800803BXAA
41	0130F00506 SWITCH, PRESSURE (M3, M4, M5, M6, M7, M8, M13, M14, M15, M16)	M11	- GMES800804BNAA
41	0130F00507 SWITCH, PRESSURE (M19)	M12	- GMES800804BXAA
51	B1392147 UNIVERSAL BUSHING WITH SLICE	M13	- GMES800804CNAA
71	4014502 J-BOX	M14	- GMES800804CXAA
81	4015502 COVER, J-BOX	M15	- GMES800805CNAA
111	10690402 INTERLOCK SWITCH	M16	- GMES800805CXAA
171	0121F00141DG TOP, FURNACE 14"-PAINTED (M1, M2, M3, M4)	M17	- GMES801005CNAA
171	0121F00142DG TOP, FURNACE 17.5"-PAINTED (M5, M6, M7, M8, M9, M10, M11, M12)	M18	- GMES801005CXAA
171	0121F00143DG TOP, FURNACE 21"-PAINTED (M13, M14, M15, M16, M17, M18)	M19	- GMES801205DNAA
171	0121F00463DG TOP, FURNACE 24.5" PAINTED (M19)		
211	0130M00140 TRANSFORMER, (120V TO 24V, 40VA,		
251	PCBBF145 CIRCUIT BOARD		
271	1815817 CNTRL MT PNL		
321	4023500 CHIMNEY TRANSITION TOP		
NS	0161F00007 NAMEPLATE, GOODMAN		

Blower Assembly

BLOWER ASSEMBLY



Blower Assembly

Ref. Part
No: No:

Description:

Ref. Part
No: No:

Description:

Image 1:

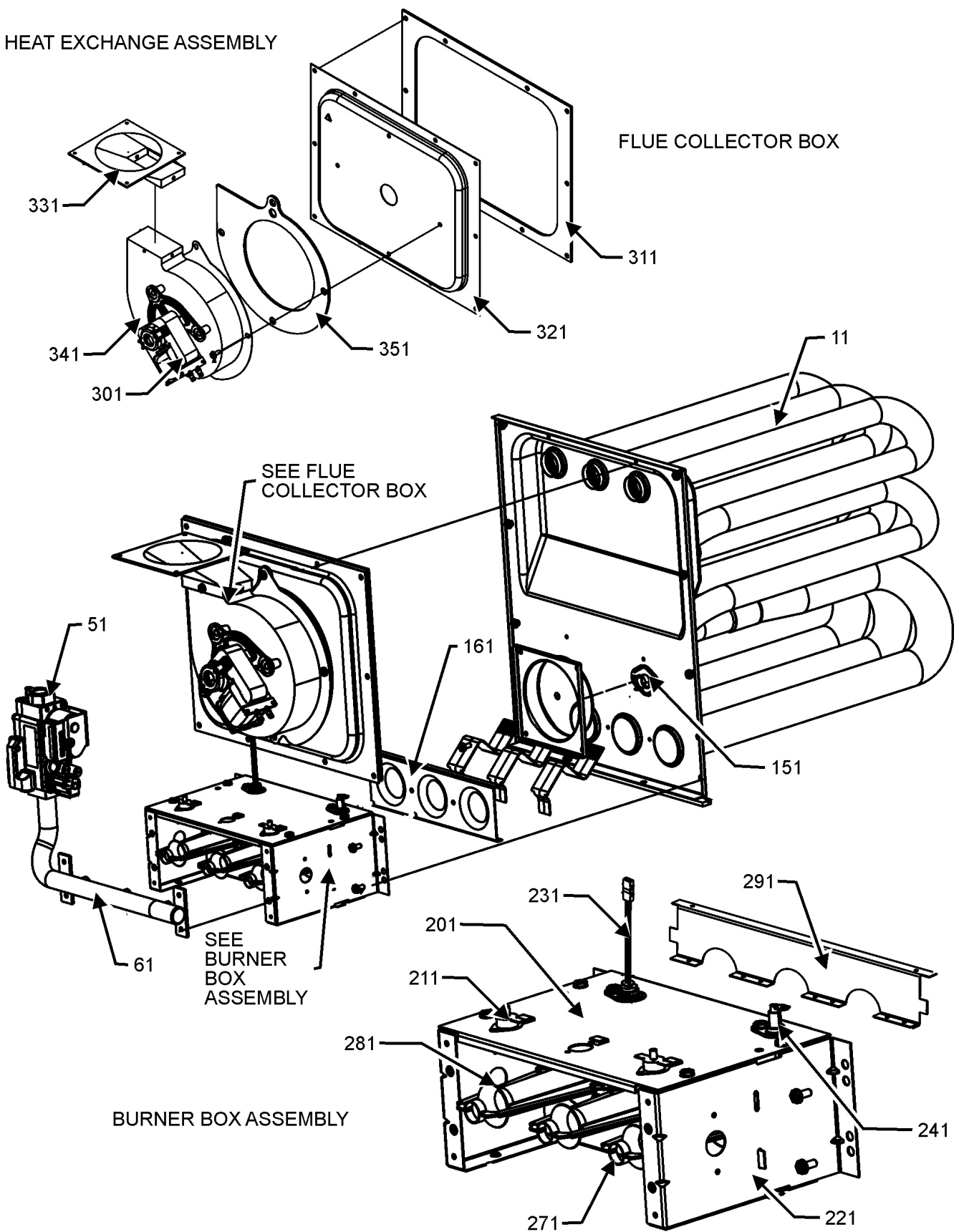
21	B1368034	BLOWER WHEEL 10 X 6 (M1, M2, M3, M4)
21	0150M00042	WHEEL, BLOWER (10 X 10) (M13, M14, M15, M16, M17, M18)
21	0150M00043	WHEEL, BLOWER (10 X 8) (M5, M6, M7, M8, M9, M10, M11, M12)
21	0150M00043	WHEEL, BLOWER (10 X 8) (M5, M6, M7, M8, M9, M10, M11, M12)
31	0130F00038	AUX LIMIT - LT BLUE 120°
71	2539307	BLOWER HOUSING 10 X 10 (M13, M14, M15, M16, M17, M18, M19)
71	2539305	BLOWER HOUSING 10 X 6 (M1, M2, M3, M4)
71	2539306	BLOWER HOUSING 10 X 8 (M5, M6, M7, M8, M9, M10, M11, M12)
81	764741	BLOWER BLOCK-OFF 10 X 10 (M13, M14, M15, M16, M17, M18, M19)
81	764740	BLOWER BLOCK-OFF 10 X 8 (M5, M6, M7, M8, M9, M10, M11, M12)
81	764739	BLOWER CUT-OFF 10 X 6 (M1, M2, M3, M4)
141	B1376863	MOUNT ARM, MOTOR (HEAVY DUTY) (QTY 3)
151	0121M00039	MOUNT BAND, MOTOR (HEAVY DUTY)
161	B1392918	WASHER FLAT 1/4 ID X 1 OD (QTY 3)
171	0163M00320	HEX HEAD ALL THREAD TAP BOLT
181	M0250565	SCREW-TC 1.25" (QTY 3)
191	B1393800	LOCKNUT NYLON INSERT 1/4,20
201	0159F00076	WIRING HARNESS
11	0131F00120	MOTOR, PROGRAM-X13 (M1, M2)
11	0131F00121	MOTOR, PROGRAM-X13 (M3, M4)
11	0131F00122	MOTOR, PROGRAM-X13 (M5, M6)
11	0131F00123	MOTOR, PROGRAM-X13 (M7, M8)
11	0131F00124	MOTOR, PROGRAM-X13 (M9, M10)
11	0131F00125	MOTOR, PROGRAM-X13 (M11, M12)
11	0131F00126	MOTOR, PROGRAM-X13 (M13, M14)
11	0131F00127	MOTOR, PROGRAM-X13 (M15, M16)
11	0131F00128	MOTOR, PROGRAM-X13 (M17, M18)
11	0131F00129	MOTOR, PROGRAM-X13 (M19)

Expanded Model Nomenclature

M1 - GMES800403ANAA
M2 - GMES800403AXAA
M3 - GMES800603ANAA
M4 - GMES800603AXAA
M5 - GMES800603BNAA
M6 - GMES800603BXAA
M7 - GMES800604BNAA
M8 - GMES800604BXAA
M9 - GMES800803BNAA
M10 - GMES800803BXAA
M11 - GMES800804BNAA
M12 - GMES800804BXAA
M13 - GMES800804CNAA
M14 - GMES800804CXAA
M15 - GMES800805CNAA
M16 - GMES800805CXAA
M17 - GMES801005CNAA
M18 - GMES801005CXAA
M19 - GMES801205DNAA

Heat Exchange Assembly

HEAT EXCHANGE ASSEMBLY



Heat Exchange Assembly

Ref. Part No:	Description:	Ref. Part No:	Description:																			
Image 1:		Image 1:																				
11	0270F00900 HEAT EXCHANGER ASSY (M1, M2)	321	0121F00128 COLLECTOR BOX 17.5" 1.75 DIA (M5, M6, M7, M8, M9, M10, M11, M12)																			
11	0270F00901 HEAT EXCHANGER ASSY (M3, M4)	321	0121F00198 COLLECTOR BOX, 14" 1.75 DIA (M3, M4)																			
11	0270F00902 HEAT EXCHANGER ASSY (M9, M10, M11, M12)	331	0128F00006 CHIMNEY TRANSITION BOTTOM																			
11	0270F00903 HEAT EXCHANGER ASSY (M17, M18)	341	0131M00002P MOTOR, VENT 80+																			
11	0270F00904 HEAT EXCHANGER ASSY (M19)	351	0154F00003 GASKET-14 INCH (M1, M2, M3, M4)																			
11	0270F00929 HEAT EXCHANGER ASSY (M5, M6, M7, M8)	351	0154F00004 GASKET-17.5 INCH (M5, M6, M7, M8, M9, M10, M11, M12)																			
11	0270F00930 HEAT EXCHANGER ASSY (M13, M14, M15, M16)	351	0154F00005 GASKET-21 INCH (M13, M14, M15, M16, M17, M18)																			
51	0151M00037 GAS VALVE	351	0154F00006 GASKET-24.5 INCH (M19)																			
61	0120F00006 MANIFOLD (M1, M2)	NS	0259F00054 HARNESS, WIRE ASSY 12 PIN (80%)																			
61	0120F00007 MANIFOLD (M3, M4, M5, M6, M7, M8)	NS	0159F00099 WIRE HARNESS ASSY, IGNITOR																			
61	0120F00008 MANIFOLD (M9, M10, M11, M12, M13, M14, M15, M16)	NS	0259F00078 WIRE KIT ASSY.																			
61	0120F00009 MANIFOLD (M17, M18)	NS	0159F00076 WIRING HARNESS																			
61	0120F00010 MANIFOLD (M19)																					
151	20162904 *PRIMARY LIMIT-TEMPERATURE CONTROL (M3, M4, M5, M6, M7, M8, M9, M10, M11, M12, M17, M18) *Refer to service bulletin SF-054	Expanded Model Nomenclature																				
151	20162901 LIMIT (M1, M2)	<table border="1"> <tr><td>M1 - GMES800403ANAA</td></tr> <tr><td>M2 - GMES800403AXAA</td></tr> <tr><td>M3 - GMES800603ANAA</td></tr> <tr><td>M4 - GMES800603AXAA</td></tr> <tr><td>M5 - GMES800603BNAA</td></tr> <tr><td>M6 - GMES800603BXAA</td></tr> <tr><td>M7 - GMES800604BNAA</td></tr> <tr><td>M8 - GMES800604BXAA</td></tr> <tr><td>M9 - GMES800803BNAA</td></tr> <tr><td>M10 - GMES800803BXAA</td></tr> <tr><td>M11 - GMES800804BNAA</td></tr> <tr><td>M12 - GMES800804BXAA</td></tr> <tr><td>M13 - GMES800804CNAA</td></tr> <tr><td>M14 - GMES800804CXAA</td></tr> <tr><td>M15 - GMES800805CNAA</td></tr> <tr><td>M16 - GMES800805CXAA</td></tr> <tr><td>M17 - GMES801005CNAA</td></tr> <tr><td>M18 - GMES801005CXAA</td></tr> <tr><td>M19 - GMES801205DNAA</td></tr> </table>		M1 - GMES800403ANAA	M2 - GMES800403AXAA	M3 - GMES800603ANAA	M4 - GMES800603AXAA	M5 - GMES800603BNAA	M6 - GMES800603BXAA	M7 - GMES800604BNAA	M8 - GMES800604BXAA	M9 - GMES800803BNAA	M10 - GMES800803BXAA	M11 - GMES800804BNAA	M12 - GMES800804BXAA	M13 - GMES800804CNAA	M14 - GMES800804CXAA	M15 - GMES800805CNAA	M16 - GMES800805CXAA	M17 - GMES801005CNAA	M18 - GMES801005CXAA	M19 - GMES801205DNAA
M1 - GMES800403ANAA																						
M2 - GMES800403AXAA																						
M3 - GMES800603ANAA																						
M4 - GMES800603AXAA																						
M5 - GMES800603BNAA																						
M6 - GMES800603BXAA																						
M7 - GMES800604BNAA																						
M8 - GMES800604BXAA																						
M9 - GMES800803BNAA																						
M10 - GMES800803BXAA																						
M11 - GMES800804BNAA																						
M12 - GMES800804BXAA																						
M13 - GMES800804CNAA																						
M14 - GMES800804CXAA																						
M15 - GMES800805CNAA																						
M16 - GMES800805CXAA																						
M17 - GMES801005CNAA																						
M18 - GMES801005CXAA																						
M19 - GMES801205DNAA																						
151	20162903 LIMIT (M13, M14, M15, M16, M19)																					
161	4028000 ORIFICE PLATE, 2CELL (M1, M2)																					
161	4028001 ORIFICE PLATE, 3CELL (M3, M4, M5, M6, M7, M8)																					
161	4028002 ORIFICE PLATE, 4 CELL (M9, M10, M11, M12, M13, M14, M15, M16)																					
161	4028003 ORIFICE PLATE, 5CELL (M17, M18)																					
161	4028004 ORIFICE PLATE, 6CELL (M19)																					
201	0121F00162 TOP, BURNER BOX 2 CELL (M1, M2)																					
201	0121F00163 TOP, BURNER BOX 3 CELL (M3, M4, M5, M6, M7, M8)																					
201	0121F00164 TOP, BURNER BOX 4 CELL (M9, M10, M11, M12, M13, M14, M15, M16)																					
201	0121F00165 TOP, BURNER BOX 5 CELL (M17, M18)																					
201	0121F00166 TOP, BURNER BOX 6 CELL (M19)																					
211	10123529 MANUAL RESET R.O.S. LIMIT (QTY 2)																					
221	0121F00146 SIDE PLATE BURNER BOX (QTY 2)																					
231	0130F00008 SINI IGNITOR																					
241	0130F00010 FLAME SENSOR																					
271	10716005 ORIFICE (QTY 2)																					
281	B4022700 INSHOT BURNER ASSY 3" (QTY 2)																					
291	0121F00167 BURNER RACK, 2 CELL (M1, M2)																					
291	0121F00168 BURNER RACK, 3 CELL (M3, M4, M5, M6, M7, M8)																					
291	0121F00169 BURNER RACK, 4 CELL (M9, M10, M11, M12, M13, M14, M15, M16)																					
291	0121F00170 BURNER RACK, 5 CELL (M17, M18)																					
291	0121F00171 BURNER RACK, 6 CELL (M19)																					
301	DY6.186.070 VENT MOTOR CAPACITOR																					
311	0154F00003 GASKET-14 INCH (M1, M2, M3, M4)																					
311	0154F00004 GASKET-17.5 INCH (M5, M6, M7, M8, M9, M10, M11, M12)																					
311	0154F00005 GASKET-21 INCH (M13, M14, M15, M16, M17, M18)																					
311	0154F00006 GASKET-24.5 INCH (M19)																					
321	0121F00333 21" COLLECTOR BOX 1.75" DIA (M13, M14, M15, M16)																					
321	0121F00330 24.5" COLLECTOR BOX 2.125" DIA (M19)																					
321	0121F00217 COLLECTOR BOX (M17, M18)																					
321	0121F00126 COLLECTOR BOX 14" 1.375 DIA (M1, M2)																					